

For Maintenance and Safety

# OWNER'S MANUAL



2024



## **WARNING**

Read, understand, and follow all of the instructions and safety precautions in this manual and on all product labels.

Failure to follow the safety precautions could result in serious injury or death.



## **WARNING**

Operating, servicing, and maintaining a passenger vehicle or off-road vehicle can expose you to chemicals including engine exhaust, carbon monoxide, phthalates, and lead, which are known to the State of California to cause cancer and birth defects or other reproductive harm. To minimize exposure, avoid breathing exhaust, do not idle the engine except as necessary, service your vehicle in a well-ventilated area and wear gloves or wash your hands frequently when servicing your vehicle.

For more information go to [www.P65Warnings.ca.gov/passenger-vehicle](http://www.P65Warnings.ca.gov/passenger-vehicle).



## **2024 Rider's Manual**

Indian Springfield Dark Horse  
Indian Springfield  
Chieftain Dark Horse  
Chieftain

Chieftain Limited  
Roadmaster Dark Horse  
Roadmaster  
Roadmaster Limited

All information contained within this publication is based on the latest product information available at the time of publication. Product improvements or other changes may result in differences between this manual and the motorcycle. Depictions and/or procedures in this publication are intended for reference use only.

No liability can be accepted for omissions or inaccuracies. Indian Motorcycle Company reserves the right to make changes at any time, without notice and without incurring obligation to make the same or similar changes to motorcycles previously built. Any reprinting or reuse of the depictions and/or procedures contained within, whether whole or in part, is expressly prohibited.

Copyright© 2023 Indian Motorcycles International, LLC. Unless noted, trademarks are the property of Indian Motorcycle International, LLC.

Ride Command® is a registered trademark of Polaris Industries Inc. Metzeler® and Cruisetec® are registered trademarks of Pirelli Tyre S. P.A. NGK® is a registered trademark of NGK Spark Plug Co. Ltd. Schrader® is a registered trademark of SENSATA TECHNOLOGIES, INC. Motorcycle Safety Foundation® is a registered trademark of Motorcycle Safety Foundation. BatteryMINDer® is a registered trademark of VDC Electronics. Inc. Apple®, iPhone®, iPod®, and APP STORE® are registered trademarks of Apple Inc. Google Play® is a registered trademark of Google, LLC. iOS® is a registered trademark of Cisco Technology, Inc. Bluetooth® is a registered trademark of Bluetooth Sig, Inc. exFAT® is a registered trademark of Microsoft Corporation. JCASE® is a registered trademark of Littelfuse, Inc. Pacific Insight® is a registered trademark of METHODE ELECTRONICS, INC. NIMBELINK<sup>SM</sup> is service trademark of NIMBELINK CORP

## CONGRATULATIONS!

---

Congratulations on your purchase of a new INDIAN MOTORCYCLE. You have joined an elite family of motorcycle riders who have acquired a celebrated piece of American history by choosing to own an INDIAN MOTORCYCLE.

Your new motorcycle is the end result of true dedication and craftsmanship by our engineering, design and assembly teams. It was designed and manufactured to meet our goal of providing you with a high quality motorcycle that you can ride trouble-free for many years to come. We hope you will take as much pride in riding your new motorcycle as our team did in building it for you.

We urge you to read this rider's manual thoroughly. It contains information essential to safe riding and proper maintenance of your motorcycle.

Your authorized INDIAN MOTORCYCLE dealer knows your motorcycle best and should be consulted for service and assistance. Skilled technicians using advanced equipment and methods are best qualified to perform all major repairs and service your motorcycle may require.

INDIAN MOTORCYCLE comply with all federal, state and local safety and emission regulations for the area of intended sale.

## SAFETY SYMBOLS AND SIGNAL WORDS

---

The following signal words and symbols appear throughout this manual and on your vehicle. Your safety is involved when these words and symbols are used. Become familiar with their meanings before reading the manual.

 **DANGER**

DANGER indicates a hazardous situation which, if not avoided, **WILL** result in death or serious injury.

 **WARNING**

WARNING indicates a hazardous situation which, if not avoided, **COULD** result in death or serious injury.

 **CAUTION**

CAUTION indicates a hazardous situation which, if not avoided, **COULD** result in minor to moderate injury.

**NOTICE**

NOTICE provides key information by clarifying instructions.

**IMPORTANT**

IMPORTANT provides key reminders during disassembly, assembly, and inspection of components.

---

**Introduction. . . . . 7**  
    Reporting Safety Defects . . . . . 11

**Safety . . . . . 13**

**Instruments, Features and Controls . . . . . 25**

**Pre-Ride Inspections . . . . . 69**

**Operation . . . . . 81**

**Maintenance . . . . . 93**

**Cleaning and Storage . . . . . 159**

**Specifications . . . . . 167**

**Warranty . . . . . 175**

**Maintenance Log . . . . . 189**





---

# INTRODUCTION

## IDENTIFICATION NUMBER RECORDS

Record important identification numbers below:

<b>Vehicle Identification Number (VIN)</b>	
<b>Engine Identification Number</b>	
<b>Master PIN</b>	
<b>Rider PIN</b>	
<b>Key Fob #1 Serial Number</b>	
<b>Key Fob #2 Serial Number (optional)</b>	

## INTRODUCTION

---

### SERVICE AND WARRANTY INFORMATION

Some procedures are beyond the scope of this manual. See your dealer to purchase an *INDIAN MOTORCYCLE Service Manual*. Some procedures provided in the service manual require specialized knowledge, equipment, and training. Be sure you have the required technical skills and tools that are needed before you attempt ANY service on your motorcycle. Please contact your authorized dealer before attempting any service work that is beyond your level of technical knowledge or experience, or if the work requires specialized equipment.

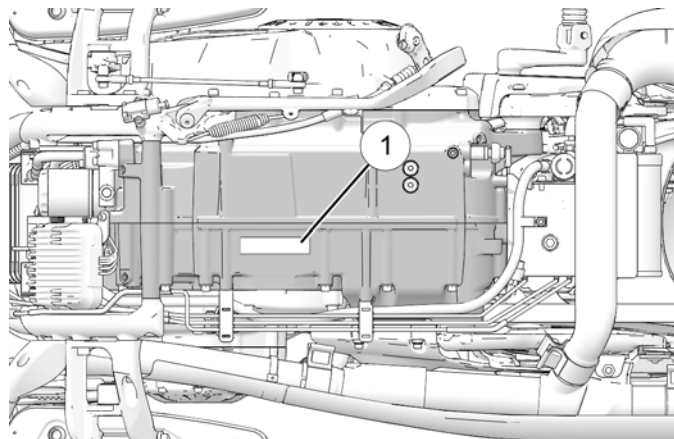
### OPERATING MOTORCYCLE OUTSIDE THE U.S.A.

If you plan to operate your motorcycle in countries other than the USA and Canada:

- Service facilities or replacement parts may not be readily available.
- Unleaded gasoline may not be available. The use of leaded fuels will cause engine damage, damage to your emissions systems and voiding of your warranty.
- Gasoline may have a considerably lower octane rating. Improper fuel can cause engine damage.

### ENGINE IDENTIFICATION NUMBER

The engine number ① is stamped into the right crankcase beneath the balance shaft cover. The engine number is positioned behind the right floorboard with the engine installed in the frame. Record the number in the space provided on page 7.




**DEVICE COMPLIANCE STATEMENTS**

**USA RADIO COMPLIANCE**

This vehicle contains the following radio equipment or components that contain radio equipment:

COMPONENT	COMPONENT ID	MANUFACTURER
9200 Series Display	RC-7	Polaris Industries Inc.
Key Fob (433 MHz)	4081320 / 4081321	Liberty Technology Co.
Tire Pressure Monitoring System (TPMS) Sensor	4019660	Schrader® Electronic
VCM	2415667	Pacific Insight®
Cell Modem	4018230	Nimbelink <sup>SM</sup>

This device complies with part 15 of the FCC Rules. Operation is subject to the following two conditions: (1) This device may not cause harmful interference, and (2) this device must accept any interference received, including interference that may cause undesired operation.

 <b>CAUTION</b>
Changes or modifications not expressly approved by the party responsible for compliance could void the user's authority to operate the equipment.

**CANADA RADIO COMPLIANCE**

This vehicle contains the following radio equipment or components that contain radio equipment:

COMPONENT	COMPONENT ID	MANUFACTURER
9200 Series Display	RC-7	Polaris Industries Inc.
Key Fob (433 MHz)	4081320 / 4081321	Liberty Technology Co.
Tire Pressure Monitoring System (TPMS) Sensor	4019660	Schrader® Electronic
VCM	2415667	Pacific Insight®
Cell Modem	4018230	Nimbelink <sup>SM</sup>

This device contains license-exempt transmitter(s)/receiver(s) that comply with Innovation, Science and Economic Development Canada's license-exempt RSS(s). Operation is subject to the following two conditions:

1. This device may not cause interference.
2. This device must accept any interference, including interference that may cause undesired operation of the device.

## INTRODUCTION

---

### EUROPEAN UNION (EU) RADIO COMPLIANCE

This vehicle contains the following radio equipment or components that contain radio equipment:

The full text of the EU declaration of conformity is available at the following internet address:

<https://www.polaris.com/en-us/radio-conformity/>

COMPONENT	COMPONENT ID	MANUFACTURER	TRANSMITTING FREQUENCY	MAX RF TRANSMITTING PWR
9200 Series Display	RC-7	Polaris Industries Inc.	2402 - 2480 MHz	0.2432
Key Fob (433 MHz)	4081320 / 4081321	Liberty Technology Co.	433.92 - 433.92 MHz	6.06 mW (e.r.p.)
Tire Pressure Monitoring System (TPMS) Sensor	4019660	Schrader® Electronic	433.92 - 433.92 MHz	< 10 mW (e.r.p.)
VCM	2415667	Pacific Insight®	0.125 - 0.125 MHz	102.15 dBµV/m
Cell Modem	3286910	Nimbe-link <sup>SM</sup>		

Hereby, Polaris Industries Inc. declares that the above radio equipment is in compliance with EU Directive 2014/53/EU.

---

**JAPANESE RADIO COMPLIANCE**

This vehicle contains the following radio equipment or components that contain radio equipment:

COMPONENT	COMPONENT ID	MANUFACTURER
9200 Series Display	RC-7	Polaris Industries Inc.
Key Fob (315 MHz)	4081322	Liberty Technology Co.
VCM	2416079	Pacific Insight®

**LIBERTY KEY FOBBS**

This vehicle contains the following fob:



**REPORTING SAFETY DEFECTS**

If you believe that your vehicle has a defect that could result in a crash or cause injury or death, you should immediately inform the National Highway Traffic Safety Administration (NHTSA) in addition to notifying INDIAN MOTORCYCLE in writing.

If NHTSA receives similar complaints, it may open an investigation, and if it finds that a safety defect exists in a group of vehicles, it may order a recall and remedy campaign. However, NHTSA cannot become involved in individual problems between you, your INDIAN MOTORCYCLE dealer or INDIAN MOTORCYCLE.

To contact NHTSA, or obtain other information about motor vehicle safety, you may either call the Vehicle Safety Hotline toll-free at 1-888-327-4236 (TTY: 1-800-424-9153), visit the NHTSA website at [www.safercar.gov](http://www.safercar.gov), or write to:

ADMINISTRATOR, NHTSA  
1200 New Jersey Avenue, SE  
West Building  
Washington, DC 20590

**REPORTING SAFETY DEFECTS (CANADA)**

To report a safety defect to Transport Canada, you may either fill out an online defect complaint form at their website (English: <http://www.tc.gc.ca/recalls>, French: <http://www.tc.gc.ca/rappels>) or contact their Defect Investigations and Recalls Division by calling toll-free 1-800-333-0510 (Canada) or 819-994-3328 (Ottawa-Gatineau area / International).

**ELECTROMAGNETIC INTERFERENCE**

This vehicle complies with UN ECE Regulation 10 requirements, Canadian ICES-002, and Chinese requirement GB34660.



## SAFETY ABOUT THE RIDER'S MANUAL

### WARNING

Failure to follow all recommended precautions and procedures could result in serious injury or death. Always heed all safety precautions and follow all operation, inspection and maintenance procedures outlined in this manual.

All references to RIGHT, LEFT, FRONT or REAR are from the operator's perspective when seated in a normal riding position. If you have questions about the operation or maintenance of your motorcycle after you've read this manual, please see your authorized dealer. To locate the nearest authorized INDIAN MOTORCYCLE dealer, visit the INDIAN MOTORCYCLE web site at [www.indianmotorcycle.com](http://www.indianmotorcycle.com).

Carefully read and understand the information found in the *Safety* section beginning on this page. To keep your motorcycle in peak condition on the road or in storage, understand and follow the procedures outlined in the *Maintenance* section beginning on page 93.

Bring the manual along when you ride. Following the precautions and procedures in the manual will add to your enjoyment and help keep you safe. If you lose or damage this manual, please purchase a new one through any authorized INDIAN MOTORCYCLE dealer. This rider's manual should be considered part of the motorcycle and should remain with the motorcycle when ownership changes.

## SAFE RIDING PRACTICES

### WARNING

Improper use of a motorcycle can result in serious injury or death to you, your passenger and others. To minimize the risk of injury, read and understand the information contained in this section before operating the motorcycle. This section contains safety information specific to the INDIAN MOTORCYCLE, as well as information about general motorcycle safety. Anyone who rides the motorcycle (operators and passengers) must follow these safety precautions.

## MOTORCYCLING HAS INHERENT RISKS

You can minimize those risks, but you can't eliminate them completely. Even if you're an experienced motorcycle operator or passenger, read all of the safety information in this manual before operating the motorcycle.

- Take a rider education course from the Motorcycle Safety Foundation® or another qualified instructor. The course will help you develop or refresh your expertise in safe riding habits through instruction and riding. For information on Motorcycle Safety Foundation® rider education courses in your area, call 1-800-446-9227 or visit [www.msfsa.org](http://www.msfsa.org).
- Read, understand, and follow all information in this manual.
- Observe all maintenance requirements specified in this manual. See the INDIAN MOTORCYCLE Service Manual or an authorized INDIAN MOTORCYCLE dealer.

### DESIGN CHARACTERISTICS AFFECT HOW YOU SHOULD RIDE THE MOTORCYCLE

- The motorcycle is designed for on-road use with one rider (and one passenger if the motorcycle is equipped with a passenger seat). *Never exceed the GVWR or the GAWR.* Refer to the *Specifications* section, or the Manufacturing Information/VIN label on the motorcycle frame for model-specific information.
- Riding off-road, riding with more than one passenger, or carrying weight exceeding the maximum weight rating can make handling difficult, which could cause loss of control.
- During the first 500 miles (800 km) of operation, follow all break-in procedures as outlined on page 81. Failure to do so can result in serious engine damage.
- If your motorcycle is equipped with saddlebags, a windshield or a passenger backrest, be prepared to reduce operating speed to maintain stability.

### FOLLOW THESE GENERAL SAFE RIDING PRACTICES

- Before each ride, perform the Pre-Ride Inspections. Failure to do so may result in damage to the motorcycle or an accident.
- Until you're thoroughly familiar with the motorcycle and all of its controls, practice riding where there is little or no traffic. Practice riding at a moderate speed on various road surfaces and in different weather conditions.
- Know your skills and limits, and ride within them.
- Allow only licensed, experienced operators to ride your motorcycle, and then only after they have become familiar with its controls and operation. Make sure all riders read and understand this rider's manual before riding.
- Do not ride when you're fatigued, ill or under the influence of alcohol, prescription drugs, over-the-counter drugs or any other drugs. Fatigue, illness, alcohol and drugs can cause drowsiness, loss of coordination and loss of balance. They can also affect your awareness and judgment.
- If your motorcycle operates abnormally, correct the problem immediately. See the *INDIAN MOTORCYCLE Service Manual* or an authorized INDIAN MOTORCYCLE dealer.
- Ride defensively, as if you are invisible to other motorists, even in broad daylight. *A motorist's failure to see or recognize a motorcycle is the leading cause of automobile/motorcycle accidents.* Ride where you're clearly visible to other motorists, and observe their behavior carefully.
- Be especially cautious at intersections, as these are the most likely places for an accident.
- To prevent loss of control, keep your hands on the handlebars and your feet on the footrests.
- Be aware that a highway bar is not designed to protect the rider from injury in a collision.
- Obey the speed limit and adjust your speed and riding technique based on road, weather and traffic conditions. As you travel faster, the influence of all other conditions increases, which can affect the motorcycle's stability and increase the possibility of losing control.



- Do not move or operate the motorcycle with the steering locked (if equipped), as the severely restricted steering could result in loss of control.
  - Reduce speed when:
    - The road has potholes or is otherwise rough or uneven.
    - The road contains sand, dirt, gravel or other loose substances.
    - The road is wet, icy or oily.
    - The road contains painted surfaces, manhole covers, metal grating, railway crossings or other slippery surfaces.
    - The weather is windy, rainy or otherwise causing slippery or rapidly changing conditions.
    - Traffic is heavy, congested, not allowing sufficient space between vehicles or otherwise not flowing smoothly.
    - You are being passed in either direction by a large vehicle that may produce a wind blast in its wake.
  - When approaching a curve, choose a speed and lean angle that allows you to pass through the curve in your own lane without applying the brakes. Excessive speed, improper lean angle or braking in a curve can cause loss of control.
  - Ground clearance is reduced when the motorcycle leans. Do not allow components to contact the road surface when leaning the motorcycle in a curve, as this could cause loss of control.
  - Do not tow a trailer. Towing a trailer can make the motorcycle hard to handle.
  - Retract the sidestand fully before riding. If the sidestand is not fully retracted, it could contact the road surface and cause loss of control.
  - To maximize braking effectiveness, *use the front and rear brakes together*. Be aware of the following braking facts and practices:
    - The rear brake provides 40% of the motorcycle's stopping power, at most. Use the front and rear brakes together.
    - To avoid skidding, apply the brakes gradually when the road is wet or rough, or contains loose or other slippery substances.
    - If possible, avoid applying the brakes while making a turn. Motorcycle tires have less traction during turns, so braking will increase the possibility of skidding. Bring the motorcycle to the upright position before applying the brakes.
    - With new pads and rotors, allow up to 250 miles (500 km) of operation in urban driving conditions (not highway cruising) to allow pads to mate with new rotors. Brakes should be used frequently. During this time brake performance will be less effective. Avoid using brakes harshly unless in an emergency. Brake efficiency will gradually increase during this seating period.
  - Hot engine and exhaust components can cause burns to skin and can ignite a fire if exposed to flammable materials. Always park the motorcycle clear of flammable materials and where people are not likely to contact hot components.
-

### PROTECTIVE APPAREL

#### IMPORTANT

Wear protective apparel to decrease the risk of injury and increase riding comfort.

- Always wear a helmet that meets or exceeds established safety standards. Approved helmets in the USA and Canada bear a U.S. Department of Transportation (DOT) label. Approved helmets in Europe, Asia and Oceania bear the ECE 22.05 label. The ECE mark consists of a circle surrounding the letter E, followed by the distinguishing number of the country which has granted approval. The approval number and serial number will also be displayed on the label. Laws in some areas *require* that you wear an approved helmet. Head injuries are the leading cause of fatalities in accidents involving motorcycles. Statistics prove that an approved helmet is the most effective protection in preventing or reducing head injuries. The helmet should fit snugly, be securely fastened, have no obvious defects, and have not previously been involved in an accident/crash.
- Wear eye protection to protect eyes from wind or airborne particles and objects. Wearing a face shield can help protect your face in an accident/crash and protect face from wind or airborne particles or objects. Laws in some areas *require* that you wear eye protection. We recommend that you wear approved Personal Protective Equipment (PPE) bearing markings such as VESC 8, V-8, Z87.1, or CE. Make sure protective eyewear is kept clean.

- All riders should wear bright or light-colored and/or reflective clothing to improve visibility to other motorists. *A motorist's failure to see or recognize a motorcycle is the leading cause of automobile/motorcycle accidents.*
- Wear gloves, a jacket, heavy boots and long pants to prevent or reduce injury from abrasions, lacerations or burns should the motorcycle fall. Wear boots with low heels, as high heels can catch on pedals or footrests. The combination of boots and pants should completely cover legs, ankles and feet, protecting skin from engine and exhaust system heat.
- Do not wear loose, flowing clothing or long boot laces, as they can catch on handlebars, levers or footrests, or they can become entangled in the wheels, causing loss of control and serious injury.

### CARRYING A PASSENGER



Do not carry a passenger unless the motorcycle is equipped with passenger seat and passenger footrests.

### CARRYING CARGO

Use the following guidelines when attaching cargo or accessories to the motorcycle. Where applicable, these guidelines also refer to the contents of any accessories.

- Keep cargo and accessory weight to a minimum, and keep items as close to the motorcycle as possible to minimize a change in the motorcycle's center of gravity. Changing the center of gravity can cause loss of stability and handling and could cause loss of control.
- Adjust ride height as needed. See page 119.
- Do not exceed the GROSS VEHICLE WEIGHT RATING (GVWR) or the GROSS AXLE WEIGHT RATING (GAWR) for your motorcycle.
- Distribute weight evenly on both sides of the motorcycle. Maintain even weight distribution by checking accessories and cargo to make sure they're securely attached to the motorcycle before riding and whenever you take a break from riding. Uneven weight distribution or sudden shifting of accessories or cargo while you're riding may cause difficult handling, loss of control and driving hazards for other motorists (if cargo falls from the motorcycle).
- For riding comfort and to ensure proper ground clearance, adjust rear shock air pressure (if equipped) as specified on the label located under the left side cover. See page 119.
- Do not attach large or heavy cargo such as sleeping bags, duffel bags or tents to the handlebars, front fork area or front fender. Cargo or accessories placed in these areas can cause instability (due to improper weight distribution or aerodynamic changes) and could cause loss of control. Such items can also block air flow to the engine and cause overheating that can damage the engine.
- Do not exceed the maximum cargo weight limit of any accessory (see accessory instructions and labels). Do not attach cargo to an accessory not designed for that purpose. Either circumstance could result in an accessory failure that could cause loss of control.
- Always obey posted speed limits.
- Do not attach anything to the motorcycle unless specifically designed for that purpose by INDIAN MOTORCYCLE.

## **SADDLEBAGS, TRUNK AND OTHER STORAGE**

Whenever operating a motorcycle equipped with cargo storage features such as saddlebags, a trunk, racks, glove boxes or other storage compartments:

- Never ride at excessive speeds. Storage features and cargo, combined with the lifting or buffeting effects of wind, can make a motorcycle unstable and cause loss of control.
- Distribute weight evenly on each side of the motorcycle.
- Do not exceed the individual weight limit of any saddlebag, trunk or other storage compartment. Refer to the storage capacity label located on or near the storage feature.
- NEVER EXCEED the GROSS VEHICLE WEIGHT RATING (GVWR) or the GROSS AXLE WEIGHT RATING (GAWR), regardless of whether or not any storage feature is loaded to capacity. Exceeding the weight rating can reduce stability and handling and cause loss of control.
- Adjust ride height as needed. See page 119.

## SAFETY

---

### USE OF ACCESSORIES

Because INDIAN MOTORCYCLE cannot test and make specific recommendations concerning every accessory or combination of accessories sold, the operator is responsible for determining that the motorcycle can be safely operated with any accessories or additional weight. Use the following guidelines when choosing and installing accessories:

- Do not install accessories that impair operator visibility or the stability, handling or operation of the motorcycle. Before installing an accessory, be sure that it does not:
  - reduce ground clearance when the motorcycle is either leaned or in a vertical position;
  - limit suspension or steering travel or your ability to operate controls;
  - displace you from your normal riding position;
  - obscure lights or reflectors.
- Bulky, heavy or large accessories can cause instability (due to the lifting or buffeting effects of wind) and loss of control.
- Do not install electrical accessories that exceed the capacity of the motorcycle's electrical system. Never install higher wattage light bulbs than those supplied as original equipment. An electrical failure could result and cause hazardous loss of engine power or lights, or damage to the electrical system.
- Use only genuine INDIAN MOTORCYCLE accessories designed for your model.
- Do not exceed the gross vehicle weight rating (GVWR) for your motorcycle.
- Adjust ride height as needed.

### MODIFICATIONS

Modifying the motorcycle by removing any equipment or by adding equipment not approved by the manufacturer may void your warranty. Some modifications may not be legal in your area of operation. If in doubt, contact your authorized INDIAN MOTORCYCLE dealer.



Modifications could make the motorcycle unsafe to ride and could result in serious injury to operator or passenger, as well as damage to the motorcycle.

### PARKING THE MOTORCYCLE

When leaving the motorcycle unattended, turn the engine off.

#### NOTICE

Do not store your key fob near the motorcycle.

Park the motorcycle where people are not likely to touch the hot engine or exhaust system or place combustible materials near these hot areas. Do not park near a flammable source such as a kerosene heater or an open flame, where hot components could ignite combustible materials.

Park the motorcycle on a firm, level surface. Sloped or soft surfaces may not support the motorcycle. If you must park on a slope or soft surface, follow the precautions outlined on page 92.

## ANTI-LOCK BRAKE SYSTEM RESPONSE

When the anti-lock brakes engage during a braking event, the rider will feel pulsing at the brake levers. *Continue to apply steady pressure to the brakes for the best stopping performance.*

## FUEL AND EXHAUST SAFETY

Always heed these fuel safety warnings when refueling or servicing the fuel system.



Gasoline is highly flammable and explosive under certain conditions.

- Always exercise extreme caution whenever handling gasoline.
- Always turn off the engine before refueling.
- Always refuel outdoors or in a well-ventilated area.
- Open the fuel cap slowly. Do not overfill the tank. Do not fill the tank neck.
- Do not smoke or allow open flames or sparks in or near the area where refueling is performed or where gasoline is stored.



Gasoline and gasoline vapors are poisonous and can cause serious injury.

- Do not swallow gasoline, inhale gasoline vapors, or spill gasoline. If you swallow gasoline, inhale more than a few breaths of gasoline vapor, or get gasoline in your eyes, see a physician immediately.
- If gasoline spills on your skin or clothing, immediately wash it off with soap and water and change clothing.
- Exhaust gases contain carbon monoxide, a colorless, odorless gas that can cause loss of consciousness or death in a short time.
- Never start the engine or let it run in an enclosed area.
- Never inhale exhaust gases.

### SAFETY MAINTENANCE



Failure to perform safety maintenance as recommended can result in difficult handling and loss of control, which could result in serious injury or death. Always perform the safety maintenance procedures as recommended in this manual. Perform maintenance and repairs promptly. See the INDIAN MOTORCYCLE Service Manual or an authorized INDIAN MOTORCYCLE dealer or other qualified dealer.

- Before each ride, perform the *Pre-Ride Inspections*.
- Perform all periodic maintenance at the recommended intervals outlined in the *Periodic Maintenance* section.
- Always maintain proper tire pressure, tread condition and wheel and tire balance. Inspect tires regularly and replace worn or damaged tires promptly. Use only approved replacement tires. See the *Specifications* section.
- Always ensure proper steering head bearing adjustment. Regularly inspect the rear shock absorber and the front forks for fluid leaks or damage. Make any necessary repairs promptly. See page 123.
- Clean the motorcycle thoroughly to reveal items in need of repair.
- Fasteners must meet original specifications for quality, finish and type to ensure safety. Use only genuine INDIAN MOTORCYCLE replacement parts, and ensure that all fasteners are tightened to the proper torque.

### TRANSPORTING THE MOTORCYCLE

If you must transport the motorcycle:

- Use a truck or trailer. Do not tow the motorcycle with another vehicle, as towing will impair the motorcycle's steering and handling.
- Position and restrain the motorcycle in an upright position.
- Do not restrain the motorcycle using the handlebars.
- Loop tiedown straps (from the front) up and over the lower triple clamp, using care to not interfere with wiring and brake lines. Place tiedowns as wide apart as possible on the truck or trailer bed for best stability.
- Do not engage the side stand during truck or trailer transportation.

---

## GROSS VEHICLE WEIGHT RATING (GVWR)

 **WARNING**

Exceeding the gross vehicle weight rating of your motorcycle can reduce stability and handling and could cause loss of control.  
NEVER exceed the GVWR of your motorcycle.

The *maximum load capacity* of your motorcycle is the maximum weight you may add to your motorcycle *without exceeding the GVWR*. This capacity is determined by calculating the difference between your motorcycle's GVWR and wet weight.

Refer to the *Specifications* section of this manual or the Manufacturing Information/VIN label on the motorcycle frame for model-specific information.

When determining the weight you will be adding to your motorcycle, and to ensure you do not exceed the maximum load capacity, include the following:

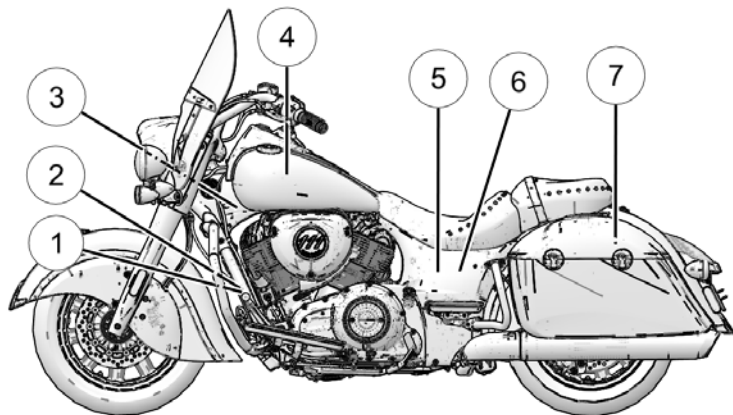
- Operator body weight
- Passenger body weight
- Weight of all rider's apparel and items in or on apparel
- Weight of any post-production accessories and their contents
- Weight of any additional cargo on the motorcycle

## SAFETY

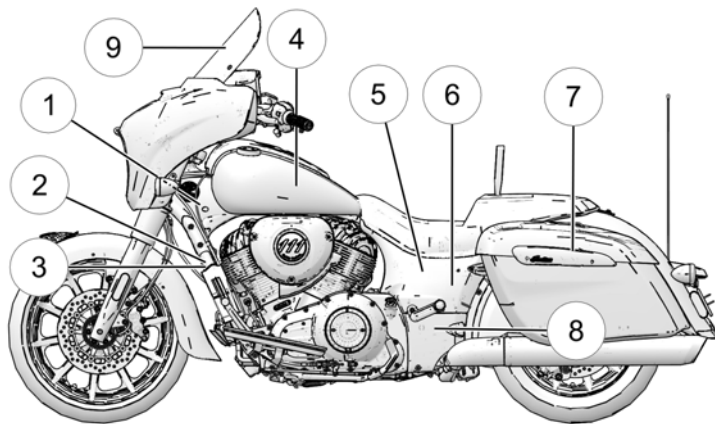
### SAFETY AND INFORMATION LABELS

#### NOTICE

Models shown for reference only. Safety label locations may vary depending on model.

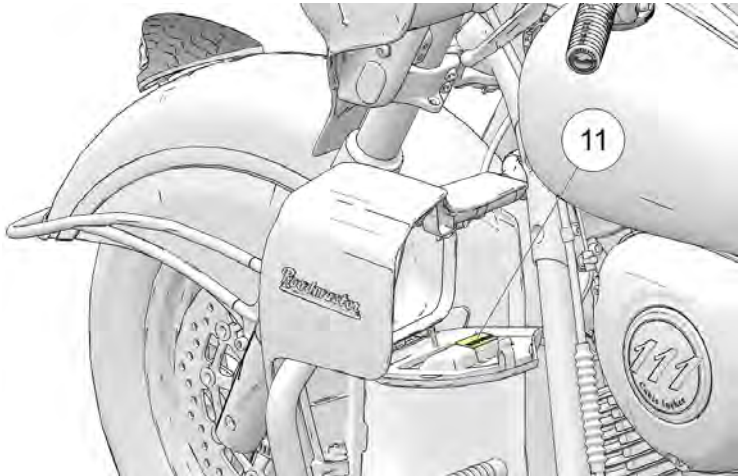
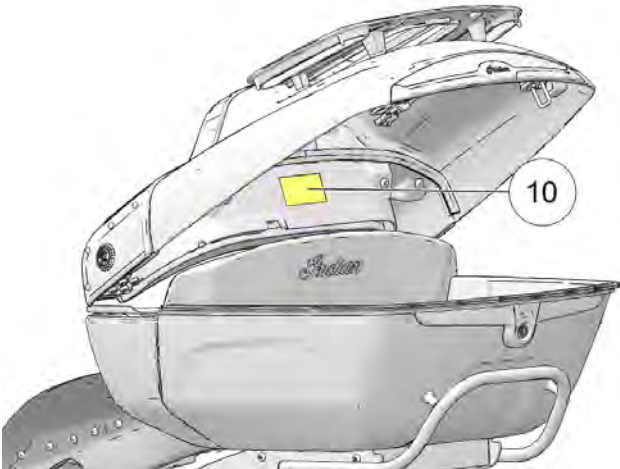


- ① Vehicle Identification Number (VIN) (side of steering head)
- ② Vehicle Emission Control Information (VECI)
- ③ Noise Emission Control Information (NECI)
- ④ Operator Warning/Fuel Recommendation
- ⑤ Shock Air Pressure Warning (under side cover)



- ⑥ Rear Wheel Service Warning (under side cover)
- ⑦ Saddlebag / Cargo Warning
- ⑧ Rear Tip-Over Bar Warning
- ⑨ Dashboard Cargo Capacity Warning

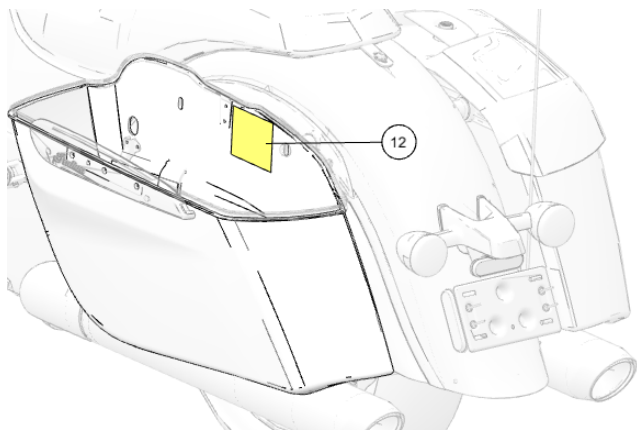




- ⑩ Trunk/Trunk Rack Capacity Label
- ⑪ Lower Fairing Glove Box Cargo Capacity Label (inside covers)

## SAFETY

---



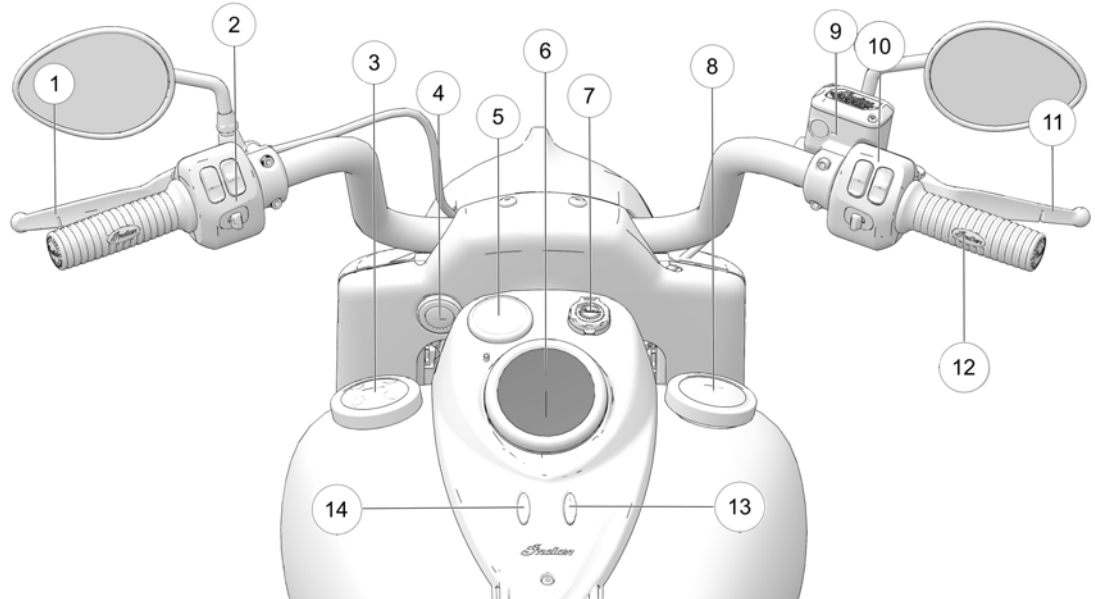
⑫ Saddlebag / Cargo Warning

## INSTRUMENTS, FEATURES AND CONTROLS

### CONSOLE

### CRUISER MODELS

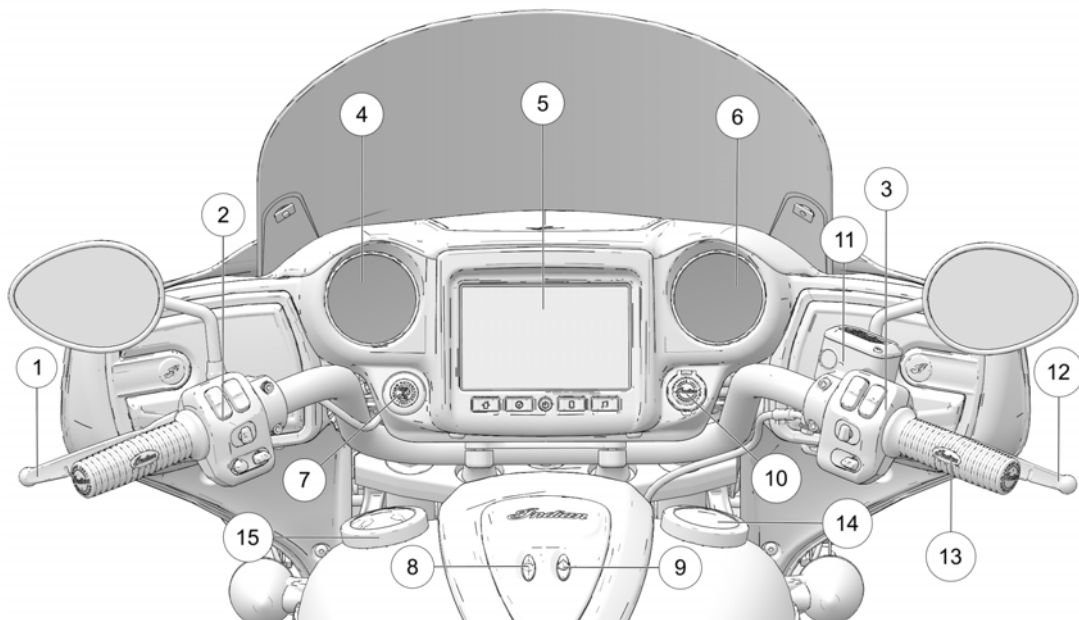
- ① Clutch Lever
- ② Left Control
- ③ Ornamental Cap (Do Not Remove)
- ④ Auxiliary Light Switch
- ⑤ Fuel Gauge
- ⑥ Instrument Cluster
- ⑦ Battery Charge Port
- ⑧ Fuel Cap
- ⑨ Front Brake Cylinder
- ⑩ Right Control
- ⑪ Front Brake Lever
- ⑫ Throttle Grip
- ⑬ Power Lock Switch (if equipped)
- ⑭ Heated Hand Grip Switch (if equipped)



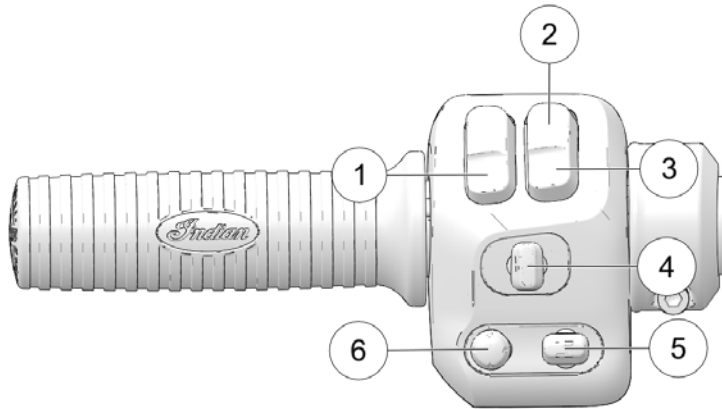
## INSTRUMENTS, FEATURES AND CONTROLS

### BAGGER MODELS

- ① Clutch Lever
- ② Left Control
- ③ Right Control
- ④ Speedometer/Fuel Gauge
- ⑤ Ride Command Display
- ⑥ Tachometer
- ⑦ Auxiliary Light Switch
- ⑧ Heated Hand Grip Switch (if equipped)
- ⑨ Power Lock Switch
- ⑩ Battery Charge Port
- ⑪ Front Brake Cylinder
- ⑫ Front Brake Lever
- ⑬ Throttle Grip
- ⑭ Fuel Cap
- ⑮ Ornamental Cap (Do Not Remove)

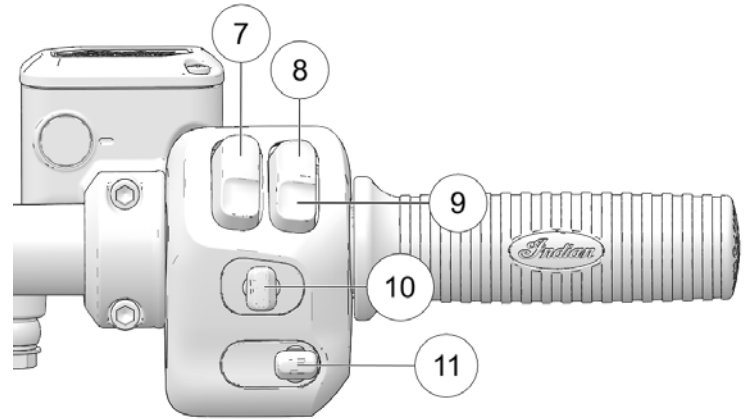


**SWITCH LOCATIONS**  
**LEFT CONTROL**



- ① Horn
- ② Hi Beam
- ③ Low Beam/ Flash to Pass
- ④ Turn Signal/Hazard Signal
- ⑤ Screen List Select (if equipped)
- ⑥ Audio Control Switch (if equipped)

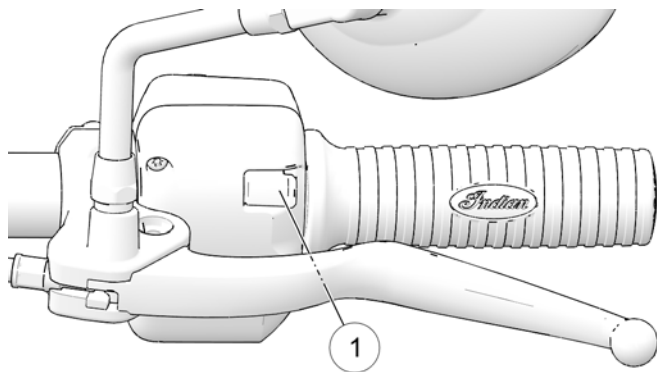
**RIGHT CONTROL**



- ⑦ Power Switch
- ⑧ Engine Stop Switch
- ⑨ Engine Start/Run Switch
- ⑩ Cruise Control Switch
- ⑪ Windscreen Control Switch (if equipped)

## TOGGLE SWITCHES

All models are equipped with toggle switches on the front side of the left ① and right handlebar controls.











The power switch must be ON for the toggle switches to function. Use the right-hand switch to navigate through menus or accept dialog boxes on the Ride Command display. Use the left-hand switch to back out of menus, decline dialog boxes, hang up phone calls, and toggle through display screens.

## SWITCH SYMBOLS

SYMBOL	SWITCH	DESCRIPTION
	Horn Switch	Press the horn switch to sound the horn.
	High Headlight Beam Switch	The high headlight beam switch activates the high headlight beam. See page 32.
	Low Headlight Beam Switch	The low headlight beam switch activates the low headlight beam. Press down momentarily to activate Flash to Pass. See page 32.
	Full Beam Flash Warning	Press and hold the low beam switch to activate "Flash to Pass" functionality.
	Turn Signal Switch	Move the switch to the left to activate the left turn signals. Move the switch to the right to activate the right turn signals. A signal will deactivate automatically when speed or distance reach predetermined levels. To cancel a signal manually, move the switch to the center position and push it inward. <i>Momentary Feature: Move the turn signal switch left or right and hold it in that position for at least one second. The momentary feature will activate and the signal will then cancel when the switch is released.</i>

## INSTRUMENTS, FEATURES AND CONTROLS

SYMBOL	SWITCH	DESCRIPTION
	Emergency Flasher Switch (Hazard Switch)	The hazard switch activates and cancels the emergency flashers. See page 32.
	Screen List Select Switch	The Screen List Select Switch (if equipped) is used to navigate through rider screens.
	Audio Control Switch	The Audio Control Switch allows users to control the audio system features from the left control block. See page 33.
	Stop Switch	Press the bottom of the switch (RUN) to allow the engine to start and run. Press the top of the switch (STOP) to stop the engine. See page 30.
	Starter Switch	Use the starter switch to start the engine. The engine stop/run switch must be in the RUN position. See page 30.
	Power Switch	Press and release the power switch to enable or disable all electrical power to the vehicle. See page 30.

SYMBOL	SWITCH	DESCRIPTION
	Left-Hand Trigger Switch	Use the left-hand switch to back out of menus, decline dialog boxes, hang up phone calls, and toggle through display screens. See page 28.
	Right-Hand Trigger Switch	Use the right-hand switch to navigate through menus or accept dialog boxes on Ride Command display.

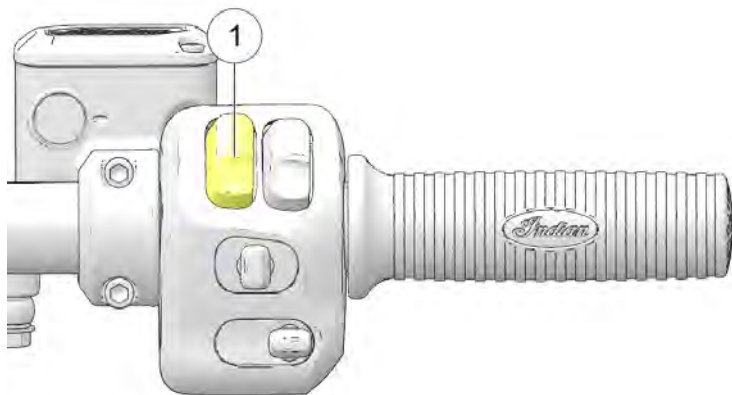
## INSTRUMENTS, FEATURES AND CONTROLS

### SWITCHES

#### POWER SWITCH

The power switch is located on the right control ①. Press and release the power switch to enable or disable all electrical power to the vehicle.

To disable all electrical power if the motorcycle is moving and the engine is running, press and hold the power switch for more than three seconds.



#### NOTICE

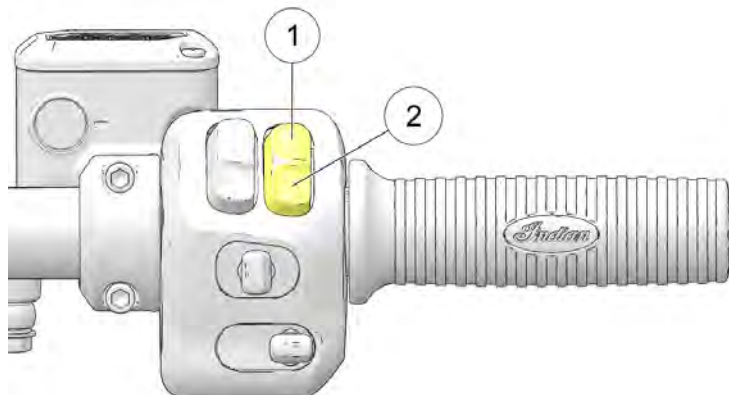
The headlights and any accessories plugged into power ports will remain on until the power switch is turned off.

#### NOTICE

To save battery power, the vehicle will automatically power off after five minutes of inactivity. Automatic power down can be overridden on bikes equipped with an INDIAN MOTORCYCLE Ride Command display through the Vehicle Settings menu.

#### ENGINE STOP/RUN SWITCH

Use the engine stop/run switch to turn the engine off quickly.



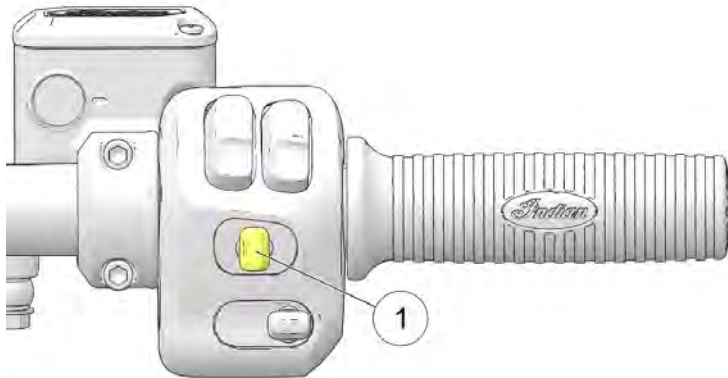
Press the top of the switch (STOP) ① to interrupt the circuits and stop the engine. The engine should not start or run when the switch is in the STOP position.



Press the bottom of the switch (RUN) ② to complete the circuits and allow the engine to start and run. Press and Release the bottom switch (RUN) ② to start the engine.

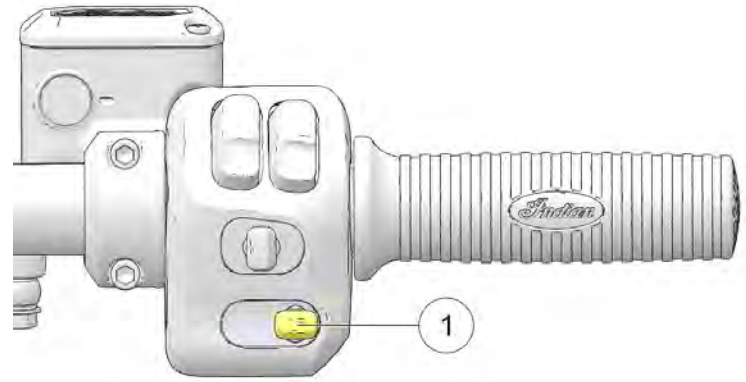
### CRUISE CONTROL SWITCH

Cruise control can be activated and adjusted from the right control using the Cruise Control Switch ①. For more information about Cruise Control, see page 90.



### WINDSHIELD SWITCH

Use the windshield switch ① to adjust windshield height for the best wind deflection.



Press up on the switch to adjust the windshield upward. Press down on the switch to adjust the windshield downward. Double tap up or down on the switch to auto-adjust the windshield all the way up or down. If the windshield is traveling and the opposite direction is briefly pressed, the auto travel is canceled.

Toggle Position	Function
Left	Set/Decelerate
Center	Off/On
Right	Resume/Accelerate

## INSTRUMENTS, FEATURES AND CONTROLS

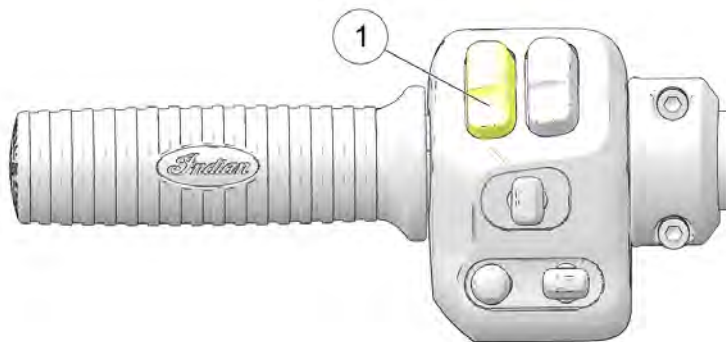
### HIGH/LOW HEADLIGHT BEAM SWITCH

The headlights automatically come on when the engine is started. See page 55.

The high/low headlight beam switch toggles the headlight between high beam and low beam. To activate the high beam, press the upper portion of the switch. To activate the low beam, press the lower portion of the switch. To momentarily flash headlights (Flash to Pass), press and hold the lower portion of the switch.

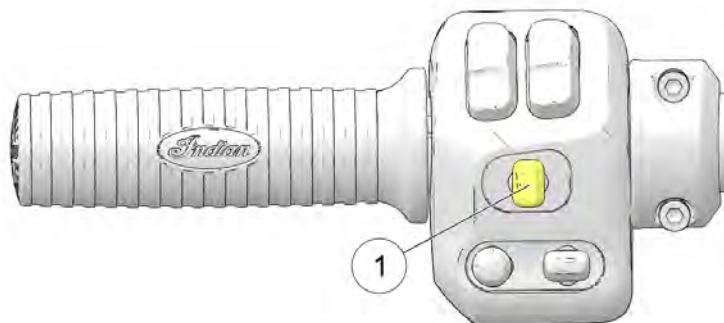
### HORN SWITCH

Press the horn switch ① to sound the horn.



### HAZARD SWITCH

The power switch must be ON to activate the flashers, but once activated, the flashers will continue to flash when the power switch is turned off. When the flashers are active, all four turn signals flash.

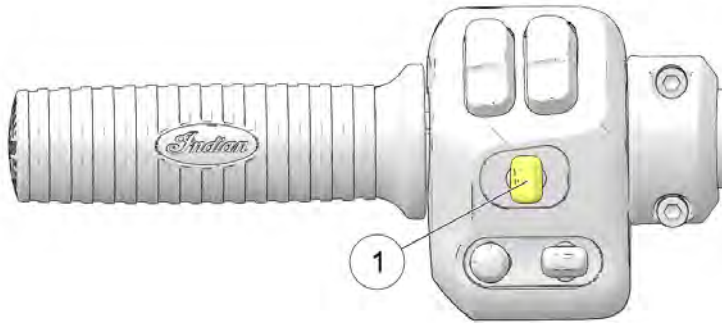


To activate the hazard switch, press on the center of the turn signal switch ①.

- Press and hold the switch to activate the flashers.
- Press the switch again to cancel the flashers.

## TURN SIGNAL

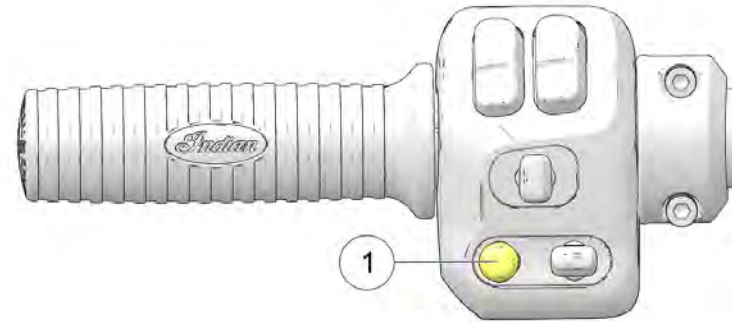
Move the switch ① to the left to activate the left turn signals. Move the switch ① to the right to activate the right turn signals. A signal will deactivate automatically when speed or distance reach predetermined levels. To cancel a signal manually, move the switch to the center position and push it inward. *Momentary Feature:* Move the turn signal switch left or right and hold it in that position for at least one second. The momentary feature will activate and the signal will then cancel when the switch is released.



One arrow flashes when the corresponding turn signal is activated. Both arrows flash when the hazard signal is activated. *If there is a problem in the signal system, the lamps will flash at twice the normal rate.*

## AUDIO CONTROL SWITCH (IF EQUIPPED)

The Audio Control Switch ① allows users to control the audio system features from the left control block.



## VOLUME

To increase volume, press up on the audio control switch. To decrease the volume, press down on the audio control switch. To mute the volume, push in on the audio control switch.

### NOTICE

When using a Bluetooth® audio device, pushing down on the audio control switch will pause the audio. To resume, press down on the audio control switch again.

## INSTRUMENTS, FEATURES AND CONTROLS

### TUNER

When the audio source is set to Tuner, press left or right on the display or the audio control switch to navigate through preset stations. Press and hold to seek.

### PERSONAL AUDIO

When audio source is set to Bluetooth® Audio or USB, press left or right on the display to navigate through audio tracks.

### AUXILIARY LIGHT SWITCH (IF EQUIPPED)

The auxiliary lights provide additional lighting on each side of the headlight. Some drivers prefer using the auxiliary lights when operating in foggy conditions or when passing a vehicle to help improve visibility to other motorists.

Press the auxiliary light switch to turn the auxiliary lights on or off. The switch background light changes color to indicate whether lights are on or off.

OFF: Red Light

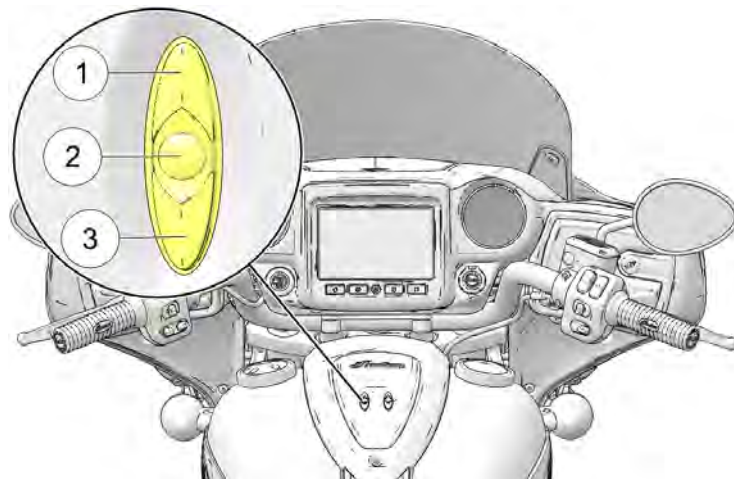
ON: Green Light

The auxiliary lights turn off when the power switch is turned off. The auxiliary lights automatically turn on when the engine starts if they were on when the engine was shut down.

The switch background light flashes if a fault exists with either auxiliary light.

### HAND GRIP HEATER SWITCH (IF EQUIPPED)

Press the top or bottom of the switch to turn the hand grip heaters on. The center of the switch illuminates when heaters are on. Press the center of the switch to turn the heaters off ②.



The heaters have 10 heat levels, ranging from OFF (level 0) to highest heat (level 10). Press and release the top of the switch ① to increase the heat level by one increment. Press and release the bottom of the switch ③ to decrease heat by one increment.

The heaters turn off when the engine is turned off. When the engine is restarted the heaters turn on at the previous heat level setting.

If the center of the switch flashes, the heaters may not be working properly. Please see your dealer.

### KEYLESS IGNITION



Keep the key fob and key fob battery out of reach of children. Swallowing can lead to chemical burns, perforation of soft tissue, and death. Severe burns can occur within 2 hours of ingestion. Seek medical attention immediately.

### **STARTING KEY FOB OPERATION:**

When the electrical system is activated with the power switch, the key fob must be within range. If the key fob is not detected, the security light will flash. The electrical system will automatically shut down.

The starter motor will not engage during this time. If a key fob is not available, your personal identification number (PIN) can be entered using the turn signal switches, or on the Ride Command display screen (if equipped), to unlock the security system. See page 153.

### **DRIVING KEY FOB OPERATION:**

After starting the engine, the Vehicle Control Module (VCM) will verify that the key fob is within range again when shifting from neutral into gear. The security light may turn on during this check. The VCM will not search for the key fob again after the vehicle has moved. If the key fob is lost during riding, the PIN will be needed to restart the vehicle.

If the key fob is not detected when shifting into gear:

- The horn will sound and the security light will flash.
- The engine will then turn off.
- The electrical system will then automatically shut down.

### **KEY FOB STORAGE:**

The key fob should not be stored in the phone storage compartment, or near devices that can interfere with radio waves, such as cell phones, power supplies, or magnets, during operation.

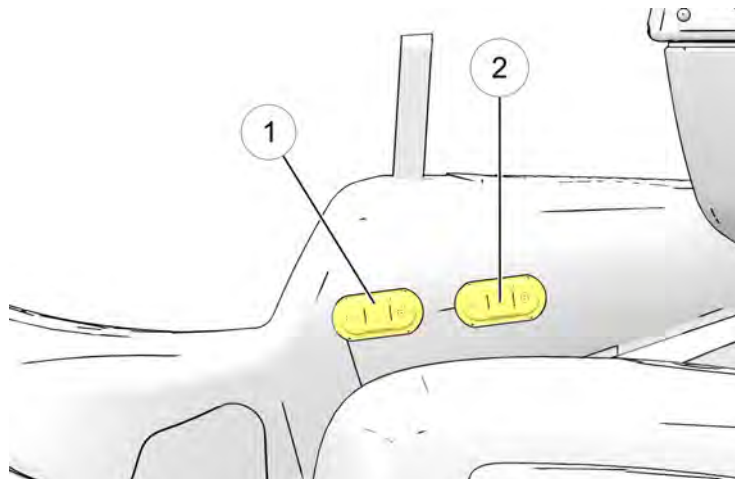
### SADDLEBAG/TRUNK LOCK SWITCH (IF EQUIPPED)

Use the key fob or the lock switch on the console to lock and unlock the electric saddlebag and trunk locks. When using the console lock switch, the key fob must be within range. If the key fob is not detected, the security light will flash. The system will not perform the lock or unlock command.



### HEATED AND COOLED SEAT SWITCHES (IF EQUIPPED)

Use the seat switches located on the lower left edge of the seat to adjust heating and cooling settings. The front switch ① controls the settings for the driver seat, and the rear switch ② (if equipped) controls the passenger seat setting.



For models equipped with Ride Command, a brief pop-up appears on the touchscreen display when temperature level changes. The first seat switch press will enable the ability to control the temperature setting on the Ride Command display. After a Ride Command software update the switch must be used to power on the seat again to enable control through Ride Command.

### INSTRUMENT CLUSTER (CRUISER MODELS)

The instrument cluster includes the speedometer, indicator lamps and Multi-Function Display (MFD).



- ① Speedometer
- ② Indicator Lamps
- ③ Multi-Function Display

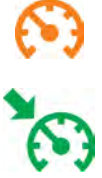


## INSTRUMENT CLUSTER (BAGGERS AND TOURING MODELS)







- ① Speedometer
- ② Indicator Lamps
- ③ Multi-function Display
- ④ Tachometer








**INDICATOR LAMPS**

LAMP	INDICATES	CONDITION
	Cruise Control Status	<i>Amber Lamp:</i> Cruise control is enabled, but not set. When flashing, a cruise control related fault exists. <i>Green Lamp:</i> Cruise control is set to the desired speed. <i>Read the safety and operation procedures before using cruise control. See page 90.</i>
	Turn Signals	One arrow flashes when the corresponding turn signal is activated. Both arrows flash when the hazard signal is activated. <i>If there is a problem in the signal system, the lamps will flash at twice the normal rate.</i>
<b>MPH</b>	Vehicle Speed	When standard mode is selected, speed displays in miles per hour.
km/h		When metric mode is selected, speed displays in kilometers per hour.
	High Beam	The headlight switch is set to high beam. This indicator will flash if there is a problem with the low or high beam light.

LAMP	INDICATES	CONDITION
<b>N</b>	Neutral	The transmission is in neutral and the power switch is ON.
	Low Fuel	This lamp illuminates when approximately one gallon (3.8 liters) of fuel remains in the fuel tank. The LCD Display will switch into a Low Fuel Mileage Counter Mode to provide the rider with mileage tracking from the time the indicator was activated.
	Sidestand Light	The sidestand light will turn on anytime the sidestand is down.
	Chassis Fault	The alert symbol illuminates if a chassis fault occurs.
	Tire Pressure Monitoring System (TPMS)	The TPMS indicator illuminates if low tire pressure is detected. It will also illuminate along with the Low Battery Voltage indicator when TPMS battery power is low, requiring service.

## INSTRUMENTS, FEATURES AND CONTROLS

LAMP	INDICATES	CONDITION
	Low Oil Pressure	This lamp illuminates when oil pressure drops below a safe operating pressure while the engine is running. If this lamp illuminates while the engine is running above idle speed, turn the engine off as soon as safely possible and check the oil level. <i>If the oil level is correct and the lamp remains on after the engine is restarted, turn the engine off immediately. See your dealer.</i>
	Low Battery Voltage	This lamp illuminates when battery voltage is low. Turn non-essential accessories off to conserve power. Make sure the charging system is operating properly. See page 157. This lamp also illuminates with the security light and/or power switch when the key fob battery is low, and with the TPMS lamp when the TPMS sensor battery is low.

LAMP	INDICATES	CONDITION
	ABS Not Activated	The indicator remains on until the anti-lock system activates, which occurs when vehicle speed exceeds 6 MPH (10 km/h). When the lamp is illuminated, the anti-lock brakes will not activate, but the conventional brake system will continue to operate normally.
	Check Engine	This lamp illuminates briefly when the power switch is turned ON. This indicates proper function. <i>If this lamp illuminates while the engine is running, see an authorized dealer promptly.</i> The light will remain on if the tilt sensor shuts down the engine. If abnormal sensor or engine operation is detected the light will remain on as long as the fault condition exists. Retrieve the fault error codes for diagnosis.
	Security	The security indicator illuminates when the security system is activated.

## SPEEDOMETER

The speedometer displays forward vehicle speed in either miles per hour or kilometers per hour.

## TACHOMETER

The tachometer displays engine speed in revolutions per minute (RPM). A red line on the face of the gauge indicates the maximum safe engine speed.

Excessive engine speed can cause engine damage or failure, which could result in serious injury or death. Do not allow engine speed to exceed the red line.

## FUEL GAUGE DISPLAY

The fuel gauge displays fuel level. For the most accurate reading, sit on the motorcycle and bring it to the upright position.



**Non-fairing Models**

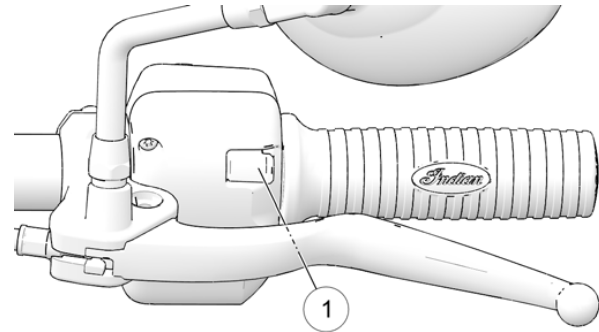


**Fairing Models**

The segments of the fuel gauge ① show the level of fuel in the fuel tank. When the last segment clears, a low fuel warning is activated. All segments including the fuel icon will flash. Refuel promptly.

## MULTI-FUNCTION DISPLAY (MFD) MODES (IF EQUIPPED)

The power switch must be ON to access the MFD. Use the mode switches ① to toggle through the modes of the multi-function display and to change settings in the display.



### Available Modes:

- Odometer
- Trip Odometer 1
- Trip Odometer 2
- Clock
- Gear Position
- Engine Speed
- Average Fuel Economy
- DC Voltage
- Ambient Air Temperature
- Fuel Range
- Tire Pressure Monitoring System (TPMS)

## INSTRUMENTS, FEATURES AND CONTROLS

---

### ODOMETER

The odometer displays total distance traveled.

### TRIP ODOMETERS

The trip odometers (Trip 1 and Trip 2) display total distance traveled since being reset. To reset a trip odometer, toggle to the trip odometer, then press and hold the LEFT-TOGGLE switch until the trip odometer resets to zero.

### CLOCK

#### TIP

The clock must be reset any time the battery has been disconnected or discharged.

1. Use the LEFT-TOGGLE switch to toggle to the odometer display.
2. Press and *hold* the LEFT-TOGGLE switch until the hour segment flashes. Release the switch.
3. With the segment flashing, tap the LEFT-TOGGLE switch to advance to the desired setting.
4. Press and *hold* the LEFT-TOGGLE switch until the next segment flashes. Release the switch.
5. Repeat steps 3–4 twice to set the 10-minute and 1-minute segments. After completing the 1-minute segment, step 4 will save the new settings and exit the clock mode.

### GEAR POSITION

Gear position displays at all times while the engine is running, unless a fault occurs with the gear position sensor.

### ENGINE SPEED

Engine speed displays in revolutions per minute (RPM).

### AVERAGE FUEL ECONOMY

Average Fuel Economy displays the vehicle's average fuel economy as of the last time the mode was reset. To reset, press and hold the left hand trigger while viewing the fuel economy display.

### DC VOLTAGE

The volt meter displays battery voltage. If the engine is not running, approximate *battery* voltage displays. If the engine is running, approximate *charging* voltage displays.

### TEMPERATURE

The temperature area displays ambient air temperature.

### FUEL RANGE

The fuel range displays the distance the motorcycle can travel on the remaining fuel in the fuel tank.

**RIDE MODES****NOTICE**

For models equipped with Ride Command, ride modes can be selected on the display. The following procedure is for models not equipped with Ride Command.

To select a ride mode, do the following:

1. Press right-hand trigger until *Ride Md* displays.
2. Hold down on the right-hand trigger. *STND*, *SPORT*, or *TOUR* will display.
3. Using the right-hand trigger, toggle to change ride mode.
4. Press and hold right-hand trigger to save settings

**NOTICE**

Flashing ride mode means ride mode has been requested, but parameters to change the ride mode have not been met (throttle not in range, etc.)

**DISPLAY UNITS (STANDARD/METRIC)**

The display can be changed to display either standard or metric units of measurement.

	STANDARD DISPLAY	METRIC DISPLAY	
<b>Distance</b>	Miles	Kilometers	
<b>Fuel</b>	U.S. Gallons	l = Imperial Gallons	Liter = Liters
<b>Temperature</b>	Fahrenheit	Celsius	
<b>Time</b>	12-Hour Clock	24-Hour Clock	

1. Stop the engine.
2. Wait 10 seconds.
3. Press and *hold* the LEFT-TOGGLE switch while pressing the power switch.
4. When the display flashes the distance setting, tap the LEFT-TOGGLE switch to advance to the desired setting.
5. Press and *hold* the LEFT-TOGGLE switch to save the setting and advance to the next display option.
6. Repeat the procedure to change remaining display settings.

## INSTRUMENTS, FEATURES AND CONTROLS

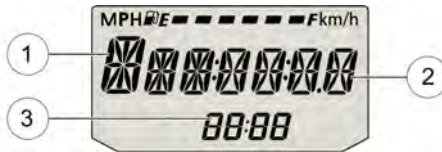
### DIAGNOSTIC FUNCTIONALITY

Certain conditions will cause an error message to display in the screen. If this occurs, please see your authorized dealer.

MESSAGE	LOCATION	INDICATES
ERROR	All	Checksum error (gauge malfunction)
LO (SPRINGFIELD)	DC Voltage Screen	Voltage remains below 11.0 volts for more than 10 seconds
OV (SPRINGFIELD)	DC Voltage Screen	Voltage remains above 15.0 volts for more than 10 seconds

### ENGINE ERROR CODES

The error screen displays only when the CHECK ENGINE light is on or when it goes on and off during one ignition cycle. Error codes display only during the current ignition cycle. When the power switch is turned OFF, the code and message is lost, but will reappear if the fault reoccurs after restarting the engine.



- ① Error Code Number (0-9)
- ② Suspect Parameter Number (SPN)
- ③ Failure Mode Indicator (FMI)

If the CHECK ENGINE indicator lamp illuminates, retrieve the error codes from the display. Error codes can also be viewed on Ride Command display (if equipped). Codes will include a short description of the error and recommend action.

1. If the error codes are not displayed, use the LEFT-TOGGLE switch to toggle until “Ck ENG” displays on the main line of the display.
2. Press and hold the LEFT-TOGGLE switch to enter the diagnostics code menu.
3. Record the three numbers displayed in the gear position, clock and odometer displays.
4. See an authorized dealer for code details and diagnosis.

### LOW OIL PRESSURE DISPLAY

“LO OIL” displays under the following conditions.



CONDITION	INDICATES	ACTION REQUIRED
Engine oil pressure has dropped while the engine is running.	Oil pressure is below a safe operating pressure.	Stop the engine as soon as safely possible and check the oil level. If the oil level is sufficient, but “LO OIL” continues to display after restarting the engine, stop the engine immediately.

## INDIAN MOTORCYCLE RIDE COMMAND OVERVIEW



For the latest information about your INDIAN MOTORCYCLE Ride Command display, including software updates, please visit <https://ridecommand.indianmotorcycle.com>

### NOTICE

Using the display for an extended period of time while the vehicle's engine is off can drain the battery.

### WARNING

Do not enter information while operating your vehicle. Failure to pay attention to operating your vehicle could result in loss of control, injury, or death. You assume all risks associated with using this device. Read your User Guide.

### WARNING






Driving while distracted can result in loss of vehicle control, crash, and injury. We strongly recommend that you use extreme caution when using any device that may take your focus off the road. Your primary responsibility is the safe operation of your vehicle. We recommend against the use of any hand-held device while driving and encourage the use of voice-operated systems when possible. Make sure you are aware of all applicable local laws that may affect the use of electronic devices while driving.

Before riding with your new display, do the following:

- Read this entire manual.
- Familiarize yourself with the features and operations of the display while the vehicle is stationary.
- Download the INDIAN MOTORCYCLE Ride Command app from the APPLE® APP STORE® or Google Play® store and create your personalized account.
- Check <https://www.indianmotorcycle.com/en-us/owners-manuals/> for the latest updates to the owner's manual.

## INSTRUMENTS, FEATURES AND CONTROLS

### RIDE COMMAND BUTTONS

BUTTON	FUNCTION
Rider Screens 	Press the Rider Screens button to access the customizable split screen menu system, access to ride data, vehicle status, and vehicle information.
Navigation 	Press the Navigation button to access Ride Command navigation features (if equipped), find directions, and look up addresses, gas stations, and other points of interest.
Controls 	Press the Controls Button to access the INDIAN MOTORCYCLE Badge Panel and additional settings.
Phone 	Press the Phone button to pair a phone or headset to the INDIAN MOTORCYCLE Ride Command display.
Audio 	Press the Audio Button to change the audio source, adjust volume level, and set radio presets.

### RIDER SCREENS

The Rider Screens are customizable and provide unique access to ride data, vehicle status, and vehicle information. The Rider Screens also provide easy access to other often used features, such as Audio controls, Bluetooth® features, and Maps.



### NAVIGATION

Press the Navigation button to access Ride Command navigation features (if equipped), find directions, and look up addresses, gas stations, and other points of interest.





## CONTROL PANEL



From the Control Panel you can access settings, adjust display brightness, select ride mode, and vehicle climate controls.

You can access the Control Panel at anytime by pressing the gear button on the gauge, or by tapping the INDIAN MOTORCYCLE icon located at the top of the display screen.

## PHONE

The Phone screen displays recent calls, contact list, key pad, and messages. The display will only show messages received while smartphone is paired via Bluetooth®.



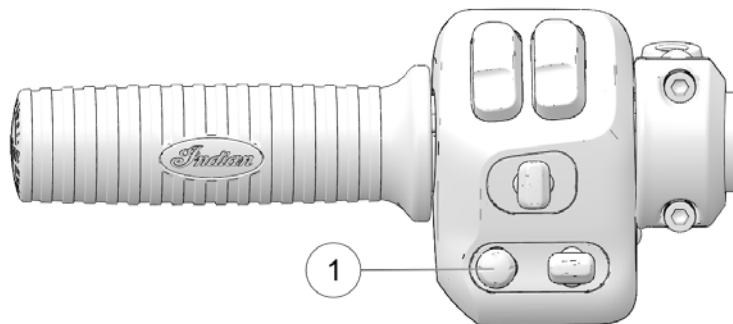
## AUDIO SCREEN

The Audio screen allows you to access music stored on your smart-phone or other music device. You can pair your device using Bluetooth®, or by connecting it to the display's USB port.

USB audio playback is only available on flash drives formatted to exFAT® or FAT32. Refer to Indian website for supported playback devices.



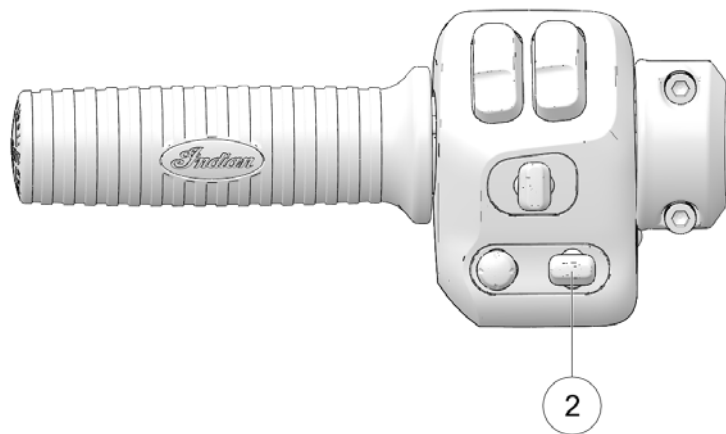
**RIDE COMMAND HAND CONTROLS**  
**MEDIA SWITCH**



Use the 5-way media switch ① to do the following:

- Press center to mute
- Press up/down to increase/decrease volume.
- Press left/right to move to previous/next track.
- Long press to activate Push to Talk.

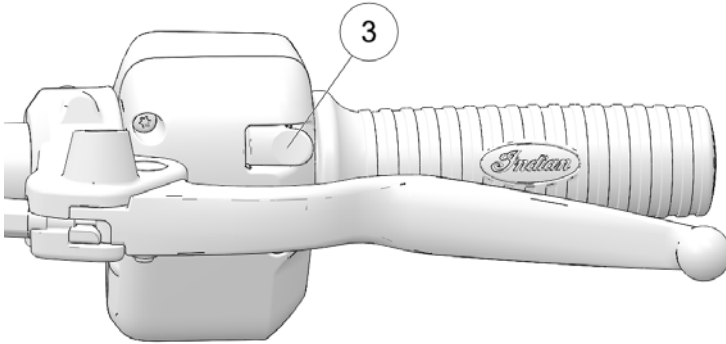
**SELECT SWITCH**



Use the 3-way select switch ② to do the following:

- Press up and down to navigate display screen.
- Press center to select.
- Long press to drop down settings panel.

## TRIGGER SWITCHES



There are trigger switches located on the reverse side of both the right and left ③ switch cubes.

Use the trigger switches to do the following:

- Press the right trigger switch to confirm selection.
- Press the left trigger switch to back out of menu screens.

## RIDE COMMAND RIDE MODES



You can choose between three ride modes, Tour, Standard, or Sport for an experience customized to your riding style. The throttle map for each ride mode was designed with a specific application in mind, resulting in one motorcycle with three distinct personalities.

## INSTRUMENTS, FEATURES AND CONTROLS

---

### NOTICE

For the ride mode to change the throttle must be fully disengaged. If you change the ride mode while the throttle is engaged, a spinning icon will appear indicating that the ride mode has not yet changed. Once the throttle is disengaged the icon will disappear and the ride mode will change.

### TOUR

Tour mode provides a smoother throttle response ideal for riding with a passenger or for long touring rides.

### STANDARD

Standard mode features a crisp throttle response and well-balanced power delivery for responsive passing power and predictable, slow-speed handling.

### SPORT

Sport mode is designed for situations when instant response is needed. Sport mode quickens the throttle response and has a more aggressive power delivery for increased acceleration.

## RIDE COMMAND SETTINGS

From the Settings Menu you can view important details about your vehicle and personalize your touchscreen display. The settings menu is comprised of four categories: Information, General, Time, and Vehicle.

### GENERAL INFORMATION

From the Information settings menu you can view the following:

- Vehicle Identification Number (VIN)
- Mileage
- Installed Software Version
- Oil Change Interval

### GENERAL SETTINGS

From the General settings menu you can do the following:

- Themes (Day/Night/Auto)
- Manage Bluetooth® Devices
- Change the Language
- Set the Speed Units of Measure (MPH or KPH)
- Set the Temperature Units (F or C)
- Update Software
- Update Maps

### CLOCK

From the Time Settings you can do the following:

- Set the Time Format (12 hour or 24 hour)
- Enable GPS Time (automatically sets the time to the time zone you are currently in)
- Set Time (if GPS Time is not enabled)

### NOTICE

The clock is sourced from the GPS chip and periodically requires GPS lock to function correctly.

**NOTICE**

Clock reading will be non-existent or inaccurate after disconnecting battery and will require a new GPS sync to function properly.

**VEHICLE INFORMATION**

From the Vehicle Settings you can do the following:

- Oil Life/ Service Reset
- Access Vehicle Diagnostics

**BLUETOOTH® PAIRING**

The INDIAN MOTORCYCLE Ride Command touchscreen display can be connected to a smart-phone and a headset simultaneously.

To pair a device, do the following:

1. From the Bluetooth® Devices settings screen, the Phone screen, or the Music screen, tap on the Add Device button to bring up the pairing prompt.
2. Put your Bluetooth® device into pairing mode.
3. Select the name of the device you want to pair from the touchscreen display to finish the pairing process.
4. Confirm pairing (if applicable). Depending on the device you are pairing to the display you may be prompted to confirm pairing.

**CONNECTED SERVICES**

Certain INDIAN MOTORCYCLE Ride Command equipped models include connected services, provided for a limited time starting on the date of purchase. The features include real time traffic, weather, and enhanced destination search capabilities. To check your connected service status and to renew, go to: <http://ridecommand.indianmotorcycle.com>.

**UPDATE SOFTWARE**

For the latest software for INDIAN MOTORCYCLE Ride Command, go to: <https://ridecommand.indianmotorcycle.com>.

The display software can be updated by connecting a USB stick containing the latest software version to the USB port located inside the visor cargo compartment. The Update Software menu in Settings will list any available updates on the USB stick. Choose the correct version and wait for the update to complete before removing the USB stick. The touchscreen display will automatically restart when software is updated.

**NOTICE**

A USB 2.0 or USB 3.0 flash drive formatted to either FAT-32 or exFAT® is required to successfully perform an update. The display will not recognize flash drives that do not meet these requirements.

**IMPORTANT**

Do not remove power from the display during the update process.

## INSTRUMENTS, FEATURES AND CONTROLS

---

### OVER THE AIR UPDATES

#### NOTICE

Over the air updates are only available on models equipped with a cell modem.

If your model is equipped with a cell modem, the motorcycle will automatically download software updates from the cloud when the motorcycle is powered on and a cell modem connection is available. All downloads occur in the background and can be resumed if the connection is interrupted or if the motorcycle is turned off.



## HOW TO INSTALL SOFTWARE

Once new software has been downloaded to your display, you will be prompted with a notification.

To install new software, do the following:

1. Navigate to the General Settings tab in the Settings menu.
2. Press the “Install” button.

### NOTICE

The following conditions must be met for the installation to initiate: the battery voltage must be greater than 12.5 V, the wheel speed must be at 0 mph, and the RPMs must equal 0.

### NOTICE

The display will restart after the installation has successfully completed.

### NOTICE

Critical updates will be installed automatically. A notification will display once the update is complete.

3. After the update had been completed, release notes will be provided on the software update screen.

## UPDATE MAPS

For the latest maps for Ride Command, go to <https://ridecommand.indianmotorcycle.com>.

### NOTICE

The display will automatically restart after a software and map update.

### NOTICE

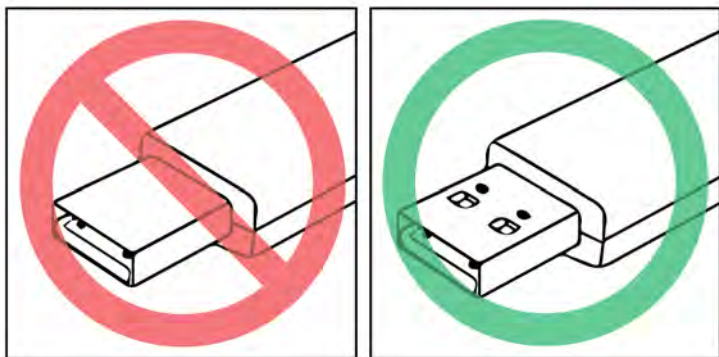
For map updates, a 32GB or greater USB drive formatted to exFAT® is required.

## USB PORT

The USB Port ① makes it easy to power devices, such as phones, audio sources, or GPS units, in addition to allowing you to stream music through the LCD display to your Bluetooth® headset. On models equipped with a INDIAN MOTORCYCLE Ride Command display, the USB port is also used to update the display software. For the latest software, go to <https://ridecommand.indianmotorcycle.com>

### IMPORTANT

Due to harsh riding environments, INDIAN MOTORCYCLE recommends using a USB device with retention features.



### REAR CYLINDER DEACTIVATION

Designed as an aid to reduce engine and exhaust heat to the rider, Rear Cylinder Deactivation turns off the rear cylinder when the engine gets hot.

The following condition must be met for Rear Cylinder Deactivation to be enabled.

- Engine must be up to operating temperature
- Ambient Temperature must exceed 15 C
- Engine speed must remain below 1000 rpm
- Gear position must be 1, 2, or N
- Throttle must be in the closed position (0% throttle)

For models equipped with Ride Command, Rear Cylinder Deactivation can be turned off by accessing the settings menu in the drop-down from the top of the screen. Cylinder Deactivation controls are in the Vehicle Settings menu. When Rear Cylinder Deactivation is functioning, an icon will illuminate at the top of the Ride Command display screen.

For models not equipped with Ride Command, do the following to disable Rear Cylinder Deactivation:

1. Press the right-hand trigger until “CYLdeAC” displays.
2. Hold down the right-hand trigger. “CD ON” or “CD OFF” will display.
3. Toggle to turn cylinder deactivation on or off. Press and hold hand right-hand trigger to save settings.
  - CYLdeAC ON: rear cylinder can deactivate
  - CYLdeAC OFF: rear cylinder cannot deactivate

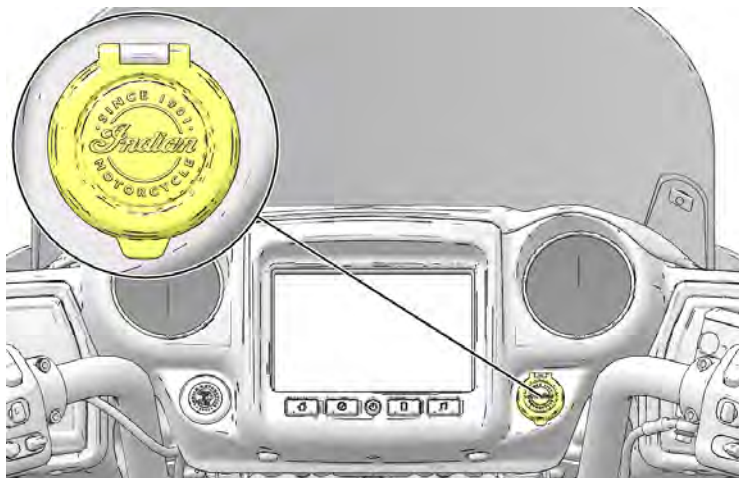
### HEATED GRIPS HEAT LEVEL SETTING (IF EQUIPPED)

The heated grips heat level displays momentarily after changing the heat level. For models equipped with Ride Command, a brief pop-up will appear on the touchscreen display when heat level is changed. To change the heated grips level on the Ride Command display, open the Control Panel and tap to adjust the temperature either up, down, or off. The heated grips will need to be adjusted with the physical button the first time after a Ride Command software update for the display to recognize the heated grips.



## BATTERY CHARGE PORT

The Battery Charge Port is located on right side of the console. For more information, see page 149.



### ⚠ CAUTION

Before connecting a battery charger to the Battery Charge Port, ensure the vehicle has cooled to ambient temperature. Do not allow cables to rest on hot or sharp surfaces while charging.

## MISFIRE DETECTION

If a misfire is detected, the check engine indicator lamp will begin to flash and fuel will be cut to the affected cylinder(s). The check engine indicator lamp will continue to flash until the ignition switch has been moved to the off position. Restarting the engine will clear the flashing indicator and restore fuel to both cylinders. If another misfire occurs, the check engine indicator lamp will resume flashing and fuel will once again be cut to the affected cylinder(s). After the 3<sup>rd</sup> misfire, P0314 misfire fault is determined & set, the check engine light will remain on and fuel will be cut to the affected cylinder(s). If this occurs, your INDIAN MOTORCYCLE dealer can assist.

## HEADLIGHTS

The headlights automatically come on when the engine is started.

### ⚠ WARNING

Motorcycle riders must remain as visible as possible at all times. To aid in this, the headlight must be on at all times. Do not modify the ignition/headlight wiring to circumvent the automatic headlight feature.

The headlights operate only when the engine is running. You can use the high/low headlight beam switch to override this function and allow the headlights to operate when the engine is not running. Turn the power switch on, then toggle the high/low headlight beam switch to turn the headlights on.

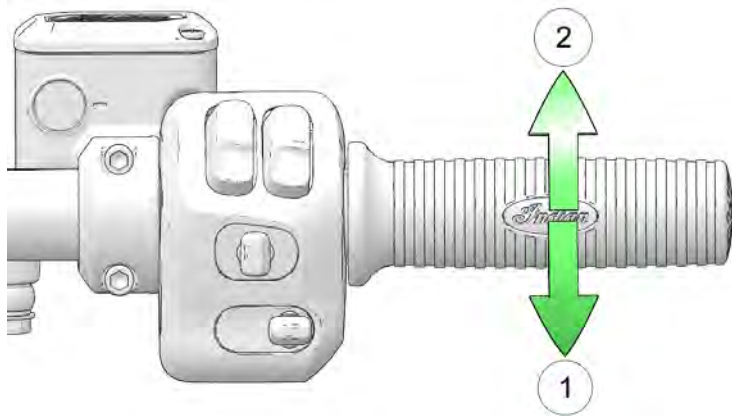
## INSTRUMENTS, FEATURES AND CONTROLS

### THROTTLE CONTROL GRIP

The throttle control grip is located on the right handlebar. Use the throttle control grip to control engine speed.

While seated in the proper riding position:

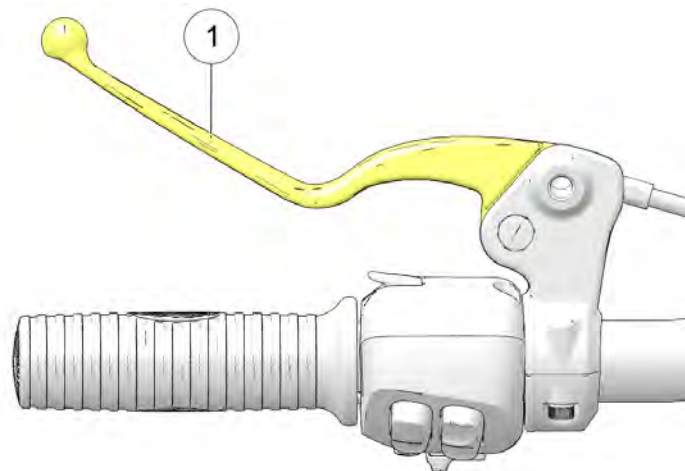
- Roll the grip rearward ① to open the throttle (increase engine speed and power).
- Roll the grip forward ② to close the throttle (decrease engine speed and power), and cancel cruise control.



The control grip is spring loaded. When you release the grip, the throttle returns to the idle position.

### CLUTCH LEVER

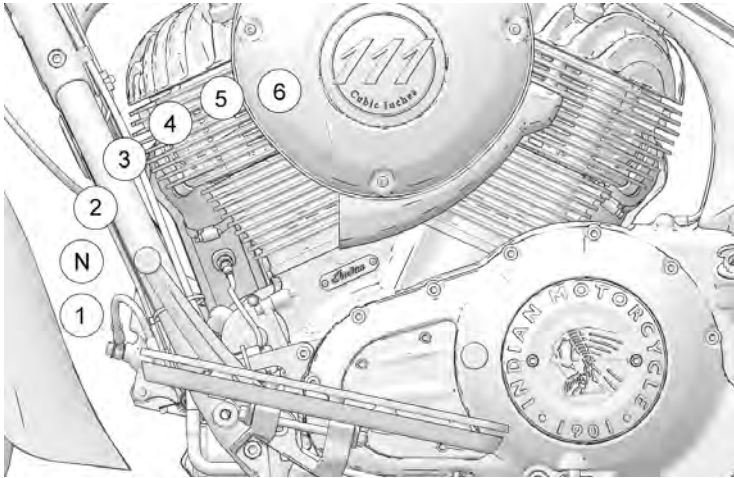
The clutch lever ① is located on the left handlebar. Disengage the clutch before shifting gears. For smooth clutch operation, pull the lever quickly and release it in a brisk but controlled manner.



- To disengage the clutch, pull the lever toward the handlebar.
- To engage the clutch, release the lever in a brisk but controlled manner.

## GEAR SHIFT LEVER

The gear shift lever is located on the left side of the motorcycle. Operate the lever with your foot.



- Press downward on the toe lever to shift to a lower gear.
- Lift upward on the toe lever to shift to a higher gear.
- Release the lever after each gear shift.
- See page 86, for gear shifting procedures.

## TIRE PRESSURE MONITORING SYSTEM (TPMS) (IF EQUIPPED)

### NOTICE

On models equipped with a TPMS, the sensors are located 180° from the valve stem. Use caution when servicing tires. To avoid damaging a sensor, break the bead at the valve stem, then at 90° and 270° from the valve stem as required.

With a TPMS, the pressure of each tire can be viewed in the MFD and in the display for Infotainment motorcycles on rider screens. If dashes display instead of a pressure value while traveling above 15 MPH (24 km/h), the system may not be functioning properly. See your dealer for service.

The TPMS warning indicator will illuminate if low tire pressure is detected. Always correct low tire pressure promptly. Always inspect tire pressure and condition before each ride. See page 73.

The TPMS display may indicate an increase in tire pressure while riding, a normal occurrence as tires warm up. Riding into colder conditions may result in a drop in tire pressure as tires cool down. Regardless of conditions, low tire pressures should always be corrected promptly.

## INSTRUMENTS, FEATURES AND CONTROLS

### TRUNK (IF EQUIPPED)

Do not exceed the cargo capacity of a trunk, a cargo rack or a trunk/cargo rack combination. The capacity for the trunk alone, as well as for any trunk/cargo rack combination, is listed in the table below. The capacity for a rack alone is 5 lbs. (2.2 kg). If you load a rack with 5 lbs. (2.2 kg) of cargo, do not add more than 25 lbs. (11.3 kg) to a hard trunk, or 20 lbs (9 kg) to a leather trunk.

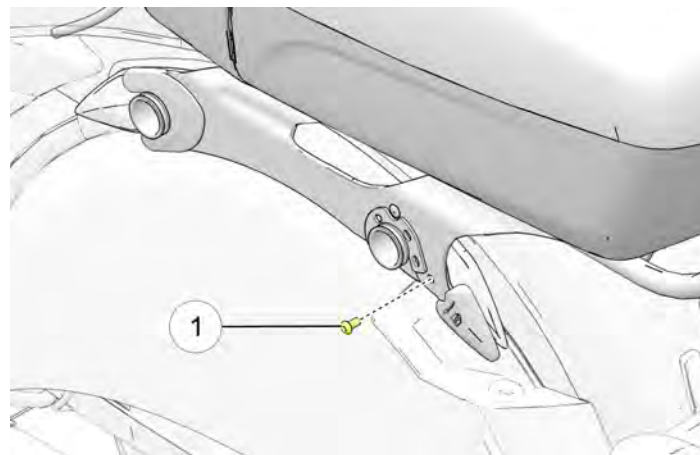
Hard Trunk	30 lbs (13.6 kg)
Leather Trunk	25 lbs (11.3 kg)
Cargo Rack (Alone)	5 lbs (2.2 kg)

#### NOTICE

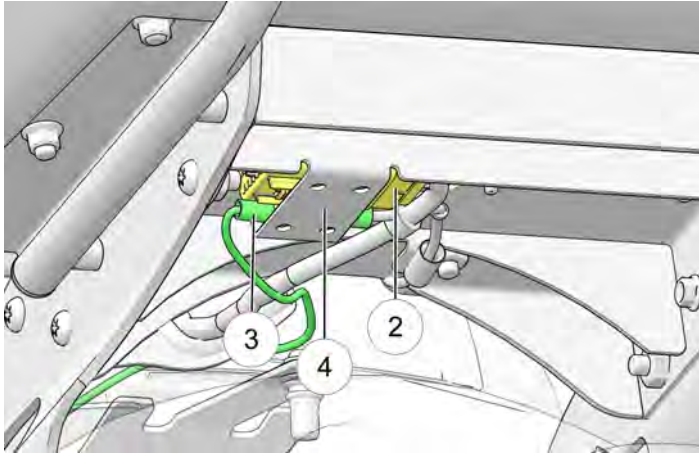
Before riding, ensure that the trunk latches are properly secured.  
Before leaving the vehicle unattended, ensure the trunk lock fasteners are securely installed.

### HARD TRUNK REMOVAL (IF EQUIPPED)

1. If applicable, remove the left and right saddlebags and remove the trunk lock fastener ① from each trunk latch.



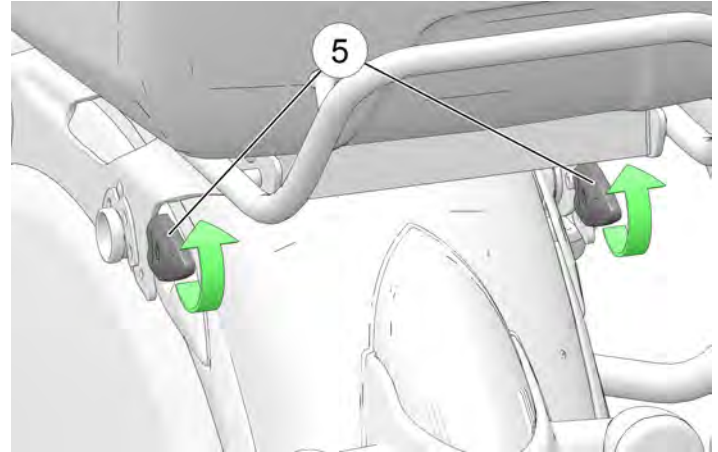
2. Disconnect the trunk harness multi-plug ② and antenna wire ③.



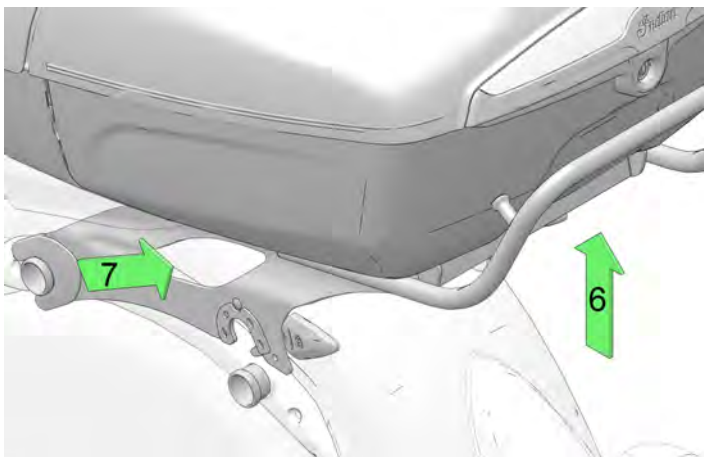
### NOTE

The trunk harness multi-plug is located above the metal mounting plate ④.

3. Lift the trunk latches ⑤ to unlock the trunk from the mount.



4. Lift up on the rear of the trunk ⑥ and slide rearward ⑦ to release the trunk from the motorcycle.



### SADDLEBAGS (IF EQUIPPED)

Do not exceed the weight limit of each saddlebag. Always distribute weight evenly in each of the saddlebags. Refer to the saddlebag/cargo warning label on or near the saddlebag for cargo capacity.

Hard bag capacity is 22 lbs. (10 kg) of cargo per side.

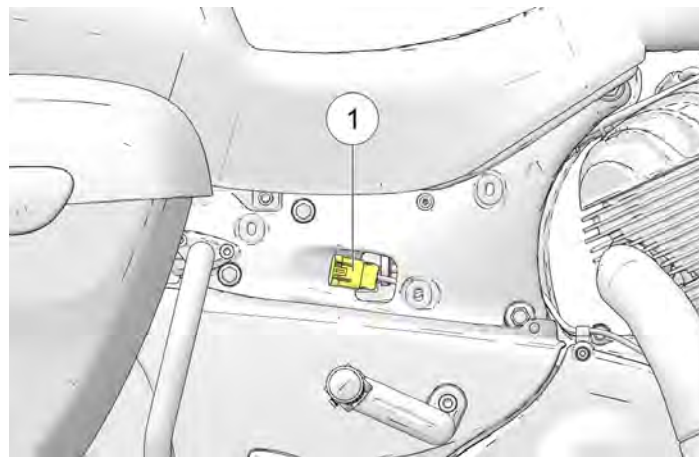
Soft bag capacity is 15 lbs. (6.8 kg) of cargo per side.

### HARD BAG REMOVAL

1. Remove the left and right side covers.
2. Unlock the electric saddlebag locks (if equipped).

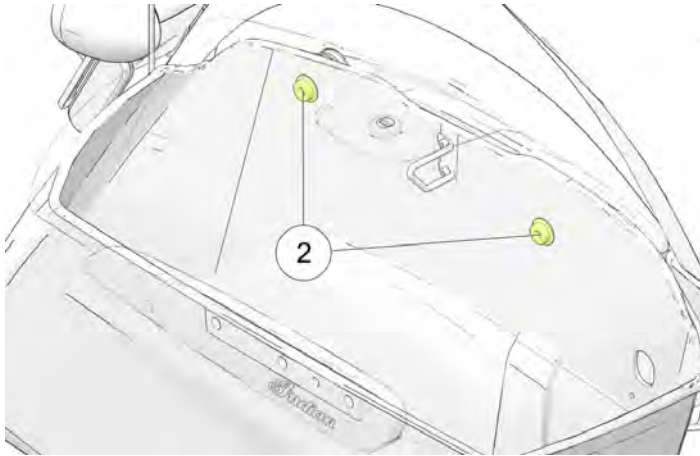
#### NOTICE

The provided key can also be used in the latch release buttons to unlock the saddlebag lids.



3. Disconnect the saddlebag lock wiring near the seat ①.
4. Press the lid latch release button and lift the lid.

5. Remove the saddlebag fastener bolts ②.



6. Tilt the saddlebag away from the frame of the vehicle to remove it.
7. To reinstall, place the hard bag in a fully seated position on the muffler.
8. Insert saddlebag fastener bolts and torque to specification.

### TORQUE

18 ft-lbs (24 Nm)

9. Reconnect the electrical wiring.

10. Reinstall the side cover, using care to avoid damaging electrical wires.

### WARNING

Improper saddlebag installation can result in loss of control, accident and driving hazards for other motorists (if saddlebag falls from the motorcycle). Always make sure saddlebag are mounted properly.

## SIDESTAND

The sidestand is equipped with a safety switch that prevents operation of the motorcycle if the sidestand is deployed.

### WARNING

An improperly retracted sidestand could contact the ground and cause a loss of control resulting in serious injury or death. Always retract the sidestand fully before operating the motorcycle.

To park the motorcycle, swing the end of the sidestand downward and away from the motorcycle until it is fully extended. Always turn the handlebars to the left for maximum stability. Lean the motorcycle to the left until the sidestand firmly supports the motorcycle.

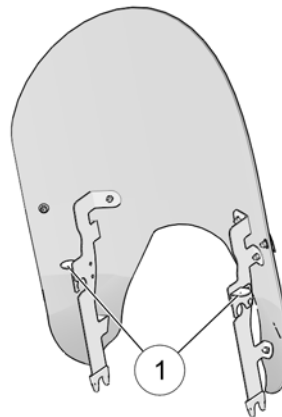
### CAUTION

If the motorcycle weight is not resting on the sidestand, it will not lock. In this situation, any movement of the motorcycle could cause the sidestand to retract slightly. If the sidestand is not in the full forward position when the motorcycle weight is rested on it, the motorcycle could fall over, possibly causing injury and damage to the motorcycle.

To retract the sidestand, straddle the motorcycle and bring it to the fully upright position. Swing the end of the sidestand upward and toward the motorcycle until it is fully retracted.

## WINDSHIELD (IF EQUIPPED) WINDSHIELD REMOVAL

1. If equipped with a quick-latch windshield, rotate the two latches ① upward.



2. From the front of the motorcycle, pull firmly on the upper windshield to remove the windshield from the upper mounts, then pull the windshield upward and away from motorcycle.
3. Reverse this procedure to reinstall the windshield. Rotate the latches fully downward to secure the windshield.



## WINDSHIELD CARE (IF EQUIPPED)

Clean the windshield with a soft cloth and plenty of warm water. Dry with a soft clean cloth. Remove minor scratches with a high-quality polishing compound designed for use on polycarbonate surfaces.

### NOTICE

Brake fluid and alcohol will permanently damage the windshield. Do not use glass cleaners, water or soil repellents, and petroleum or alcohol based cleaners on the windshield, as these products can damage the windshield.

## MIRRORS

Your vehicle is equipped with convex mirrors. Objects seen in a mirror may be closer than they appear. Always adjust mirrors before riding.

To adjust the mirrors, sit on the motorcycle in the anticipated riding position. Adjust the mirrors so that you can see a small portion of your shoulders in each mirror.

## BRAKES

The front brake lever activates the front brake calipers. The rear brake pedal activates the rear brake caliper. For maximum brake effectiveness, apply the front brake lever and the rear brake pedal together.

## ANTI-LOCK BRAKE SYSTEM (ABS)

The anti-lock brake system automatically adjusts brake pressure as needed to provide optimum braking control, reducing the chance of wheel lock-up during hard braking events or when braking on rough, uneven, slippery or loose surfaces. See page 19.

1. The anti-lock brake system cannot be turned off.
2. The ABS indicator always illuminates when vehicle power is turned on. It remains illuminated until the anti-lock system activates, which occurs when vehicle speed exceeds 6 MPH (10 km/h).
3. When the lamp is illuminated, the anti-lock brakes will not activate, but the conventional brake system will continue to operate normally.
4. When the anti-lock brakes engage during a braking event, the rider will feel pulsing at the brake levers. *Continue to apply steady pressure to the brakes for the best stopping performance.*
5. If the ABS light does not come on when the key is turned to the ON or PARK position, your authorized INDIAN MOTORCYCLE dealer can assist.

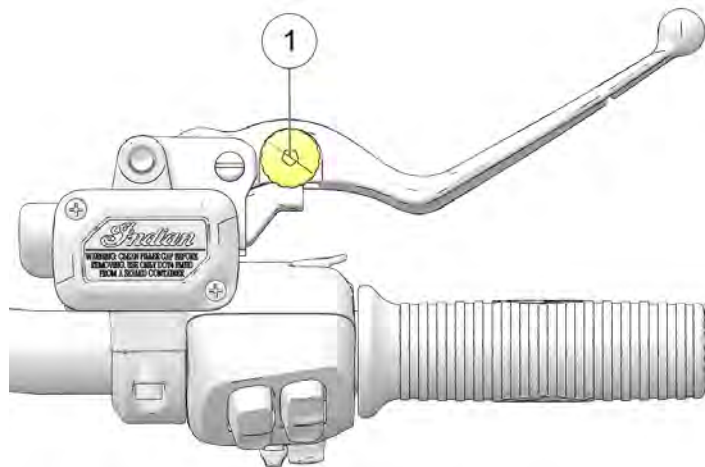
## INSTRUMENTS, FEATURES AND CONTROLS

---

- If the lamp continues to illuminate after vehicle speed exceeds 6 MPH (10 km/h), the ABS system is not functioning. See your INDIAN MOTORCYCLE dealer or other dealer promptly for service.
- Operating with non-recommended tires or improper tire pressure may reduce the effectiveness of the anti-lock brake system. Always use the recommended size and type of tires specified for your vehicle. Always maintain the recommended tire pressure.
- The anti-lock brake system will not prevent wheel lockup, loss of traction or loss of control *under all conditions*. Always adhere to all safe motorcycle-riding practices as recommended.
- It is not unusual to leave tire marks on the road surface during a hard braking event.
- The anti-lock brake system does not compensate for or reduce the risks associated with:
  - excessive speed
  - reduced traction on rough, uneven or loose surfaces
  - poor judgment
  - improper operation

### FRONT BRAKE LEVER

The front brake lever is located on the right handlebar. This lever controls only the front brakes. The front brakes should be applied simultaneously with the rear brakes. To apply the front brake, pull the lever toward the handlebar. See page 89 for braking procedures.



The front brake lever reach (distance to the hand grip) is adjustable. To adjust the front brake lever reach, do the following:

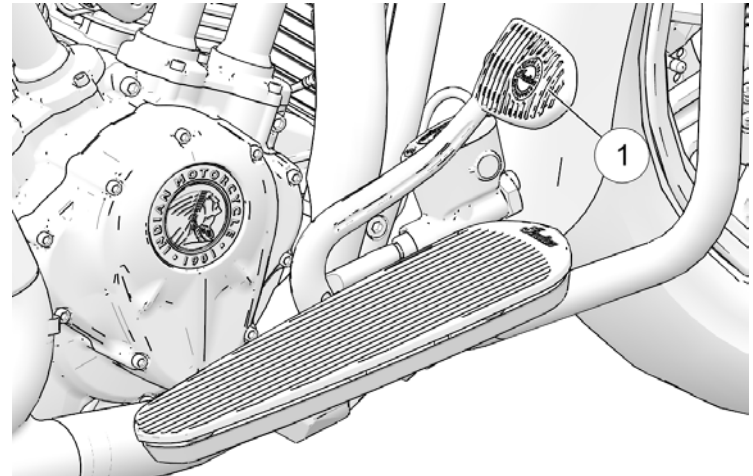
1. *Gently push and hold* the lever away from the hand grip. The adjuster wheel ① is located on top of the lever.
2. To increase reach distance, rotate the adjuster to a lower number.
3. To decrease the reach distance, rotate the adjuster to a higher number.

### REAR BRAKE PEDAL

The rear brake pedal ① is located on the right side of the motorcycle. Press downward on the rear brake pedal to apply the rear brake.

#### WARNING

Resting your foot on the brake pedal will cause excessive and premature wear of brake pads and reduced braking efficiency, which could result in serious injury or death.



See page 89 for braking procedures.

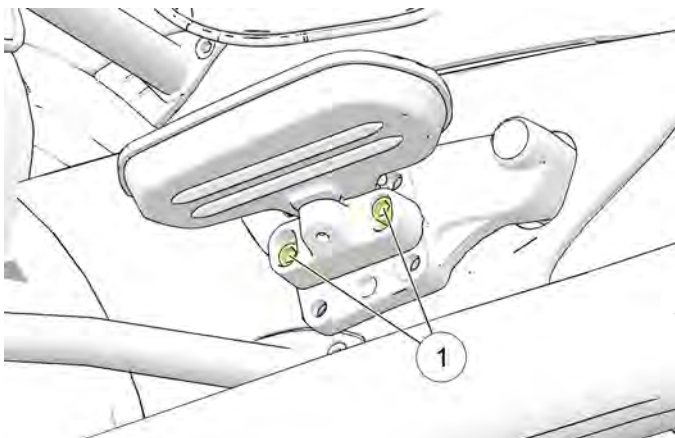
### PASSENGER FLOORBOARD SUPPORTS (IF EQUIPPED)

The passenger floorboard height and angle can be adjusted.

To adjust the angle, loosen both attachment screws ①. Rotate the floorboard to the desired position using the indicator mark on the rear-facing support as a guide, then tighten the screws.

#### TORQUE

18 ft-lbs (24.4 Nm)



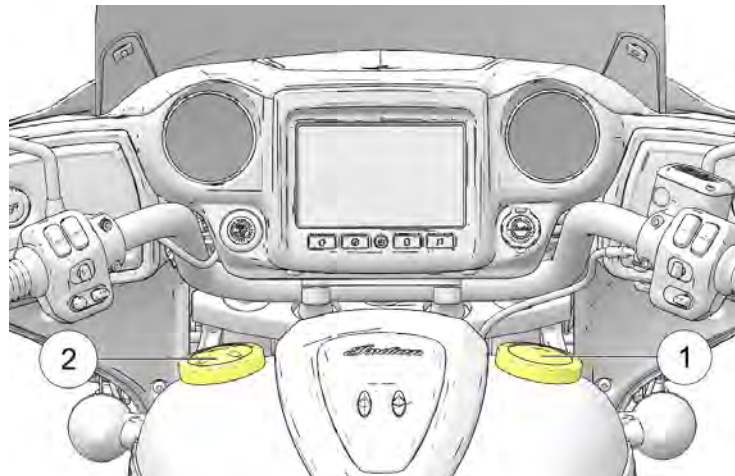
To adjust the height, remove both attachment screws. Move the floorboard assembly to the next hole position, then reinstall the fasteners, adjust the angle and tighten the fasteners.

#### TORQUE

18 ft-lbs (24.4 Nm)

### FUEL CAP

The fuel filler cap ① is located on the right side of the console. An ornamental cap ② is located on the left side of the console. Do not attempt to remove the ornamental cap.



Turn the fuel cap counter-clockwise to remove it. If the fuel cap is equipped with a tether, carefully rest fuel cap on the tank so that the rubber bumper is contacting the tank. See page 82 for fueling instructions. To tighten the cap, turn it clockwise until the seal compresses onto the tank, then continue to tighten until the cap ratchets several times.



## PRE-RIDE INSPECTIONS BEFORE YOU RIDE

To keep your motorcycle in safe operating condition, always perform the recommended pre-ride inspections before each ride. This is especially important before making a long trip and when removing the motorcycle from storage.

### WARNING

Failure to perform the recommended pre-ride inspections could result in component failure while riding, which could result in serious injury or death. Always perform the pre-ride inspections before each ride. When inspection reveals the need for adjustment, replacement or repair, perform the service promptly, or your authorized INDIAN MOTORCYCLE can assist.

### WARNING

Read the entire Instruments, Features and Controls section of this manual before riding your motorcycle. A complete understanding of the features and capabilities of your motorcycle is essential to its safe operation. Anything less may result in serious injury or death.

You must be familiar with all instruments and controls to perform the pre-ride inspections.

### TIP

During the pre-ride inspections you may use products that are potentially hazardous, such as oil or brake fluid. When using any of these products, always follow the instructions and warnings on the product packaging.

When inspections reveal the need for adjustment, replacement or repair:

- refer to the maintenance section of this manual (page 93)
- refer to the INDIAN MOTORCYCLE Service Manual
- or see your authorized INDIAN MOTORCYCLE dealer or other dealer

## ELECTRICAL INSPECTIONS

Turn the power switch on and move the stop/run switch to RUN before performing the following electrical inspections. Turn the power switch off after completing these inspections. If inspection of any electrical item reveals component failure, repair or replace the component before operating the motorcycle.

## PRE-RIDE INSPECTIONS

ITEM	INSPECTION PROCEDURE
Headlamp	Move the headlight switch from low beam to high beam to turn the lights on and verify operation of both beams. Start the engine. Switch to high beam. Verify that the high beam indicator comes on and that lamp brightness increases. Press and hold the low beam switch to verify "Flash to Pass" functionality.
Taillights/- Brakelight	Verify that the taillights and license plate light illuminate. Verify that the taillight lamps increase in brightness when the front brake lever is applied and also when the rear brake pedal is applied.
Turn Signals	Move the turn signal switch to the left. Verify that front and rear left turn signals flash, as well as the corresponding light on the indicator panel. Move the switch to the center position and push it inward to cancel the signal. Verify that the signals and the indicator light stop flashing. Repeat the procedure for the right turn signals.
Emergency Flashers	Press and hold the turn signal switch in for 1 second to activate flashers. Verify that all four turn signals flash, as well as the lamps on the indicator panel. Turn the flashers off. Verify that all signals and indicator lamps stop flashing.
Horn	Press the horn switch. Verify that the horn sounds loudly.
Neutral Indicator	Place the transmission in neutral. Verify that the neutral indicator lamp illuminates and that the letter "N" displays in the gear position display.

ITEM	INSPECTION PROCEDURE
Low Oil Pressure Display	Start the engine. SPRINGFIELD: Verify that "LO OIL" is not displayed in the MFD. CHIEFTAIN MODELS/ ROADMASTER: Verify that the low oil pressure indicator is not illuminated.
Engine Stop/Run Switch	Start the engine. Move the stop/run switch to the STOP position. Verify that the engine stops.
Sidestand Light	Fully extend the sidestand. Verify the sidestand light is illuminated.

## GENERAL INSPECTIONS

ITEM	INSPECTION PROCEDURE
Engine Oil	Check the oil level. See page 71.
Fuel	Check the fuel level. See page 42.
Fluid Leaks	Check the vehicle and the ground/floor for any fuel, oil or hydraulic fluid leaks.
Tires	Inspect condition, pressure and tread depth. See page 136.
Brake Operation	Inspect pedal and lever movement.
Brake Fluid Levels	Check front and rear brake fluid levels.
Brake Components	Inspect hoses and connections.
Throttle	Inspect hand grip and throttle movement.



ITEM	INSPECTION PROCEDURE
Clutch	Check lever operation and freeplay.
Front Suspension	Check for leaks, debris and damage.
Steering	Check for smooth operation by turning handlebars full left and full right.
Rear Suspension	Inspect for leaks. Check shock movement and air pressure..
Ride Height	Make sure shock pressure is adjusted properly for load.
Rear Drive Belt	Check for wear or damage. Check drive belt tension. See page 113.
Sidestand	Verify smooth operation, inspect pivot bolt and spring.
Fasteners	Inspect for loose, damaged or missing fasteners.
Mirrors	Adjust for proper rear view.
Trunk/Saddlebags	If equipped, make sure the trunk and saddlebags are properly installed and that lids are securely closed.

## ENGINE OIL LEVEL

With the semi-dry sump lubrication system, the engine oil level on the dipstick will fluctuate, depending on the motorcycle's position and engine temperature when checked. To ensure a proper reading of the engine oil level, follow all inspection procedures closely.

### WARNING

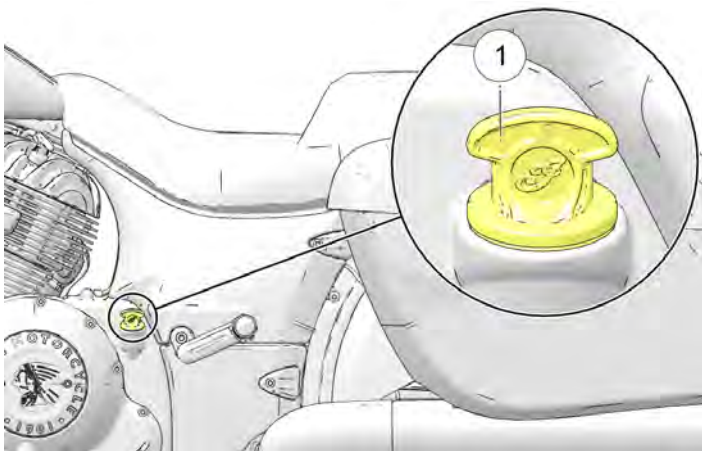
Operating with insufficient, deteriorated or contaminated engine oil will cause accelerated wear and may result in engine or transmission seizure, which could result in loss of control and serious injury or death. Check the oil level frequently.

Always check the oil after running a cold engine at idle for 30 seconds. The oil fill/dipstick is located on the left side of the motorcycle. Always use the recommended oil. See page 174.

1. Position the motorcycle on level ground in the fully upright and centered position.
2. Start the engine (from cold) and allow it to idle for 30 seconds. Stop the engine.

## PRE-RIDE INSPECTIONS

3. Remove the dipstick ① and wipe it clean.



4. Thread the dipstick until fully seated.
5. Remove the dipstick and view the oil level.

### NOTICE

Do not overfill. Overfilling can result in loss of engine performance and an oil-saturated air filter. Use a suction device to remove excess oil if overfilled.

6. Add the recommended oil as needed to bring the level between the ADD and FULL marks. Do not add oil if between the ADD and FULL marks.

### IMPORTANT

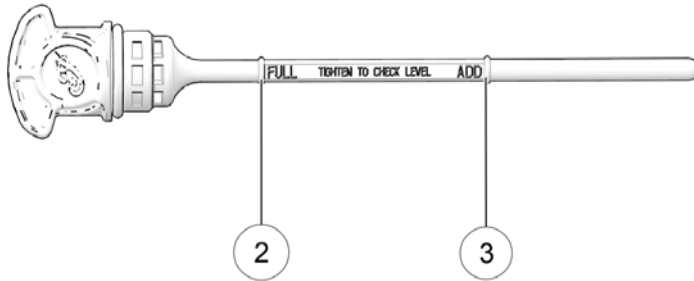
Add oil in 0.5 qts (0.47 l) increments, checking oil level after each fill, until oil is between ADD and FULL.

### TIP

The approximate volume between the FULL ② and ADD ③ marks on the dipstick is 32 oz. (.94 L).

### NOTICE

Total fill with oil filter change will be approximately 5.5 - 6.0 US quarts. The total amount required for the oil and filter change shall not exceed 6.0 US quarts.



7. Reinstall the dipstick securely.

## TIRES

### WARNING

Operating the motorcycle with incorrect tires, incorrect tire pressure or excessively worn tires could cause loss of control or accident. Underinflation can cause a tire to overheat and result in a tire failure. Only use tires approved by INDIAN MOTORCYCLE for the model of the motorcycle. See your dealer. Use of unapproved or an improperly mixed front and rear tire can result in decreased handling performance and stability, potentially leading to reduced control of the motorcycle. Always maintain proper tire pressure as recommended in the rider's manual and on safety labels.

## TIRE PRESSURE

Improper tire pressure can result in irregular tire wear, tire failure, reduced fuel economy and a poor riding experience. It can also affect handling and stopping ability.

Slow tire pressure loss over time is normal for a functional tire. Although a tire pressure monitoring system (TPMS) will alert the user to a low pressure condition (if equipped), always inspect tire pressure and condition before each ride.

Check tire pressure before riding, when the tires are cold. This will provide the most accurate reading, as riding warms the tires and increases tire air pressure. Tires remain warm for at least 3 hours after a ride. Do not adjust tire pressure immediately after riding. As tires cool, the pressure will drop and result in underinflation. Always check and adjust tire pressure when tires are cold.

Using supplied air pressure gauge, adjust tire pressure to the recommended pressure. See page 136.

## TIRE CONDITION

Inspect the tire sidewalls, road contact surface and tread base. If inspection reveals cuts, punctures, cracks or other wear or damage, replace the tire before riding. Only use tires approved by INDIAN MOTORCYCLE for the model of the motorcycle. See your dealer. Use of unapproved or an improperly mixed front and rear tire can result in decreased handling performance and stability, potentially leading to reduced control of the motorcycle.

## PRE-RIDE INSPECTIONS

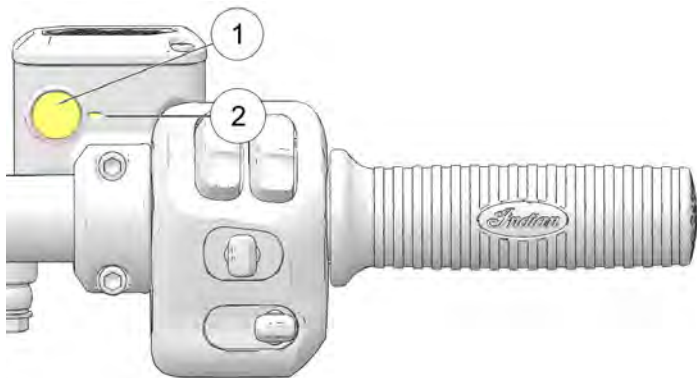
---

### TIRE TREAD DEPTH

Measure the tread depth near the center of the tread on both tires. See page 135. Replace any tire with a tread depth of less than 1/16 inch (1.6 mm).

### FRONT BRAKE FLUID LEVEL

1. Bring the motorcycle to the fully upright position. Position the handlebars so that the fluid reservoir is level.
2. View the fluid level through the sight glass ①. The fluid should be clear. Replace cloudy or contaminated fluid.



3. The fluid level should be above the minimum indicator mark ② in the sight glass.

4. If the fluid level is low, inspect brake pads as outlined on page 131. If pads are not worn beyond the service limit, inspect the brake system for leaks. Check for signs of brake fluid leaks around hoses, fittings, reservoir, and brake calipers.
5. Add brake fluid if necessary. See page 130.

### FRONT BRAKE LEVER

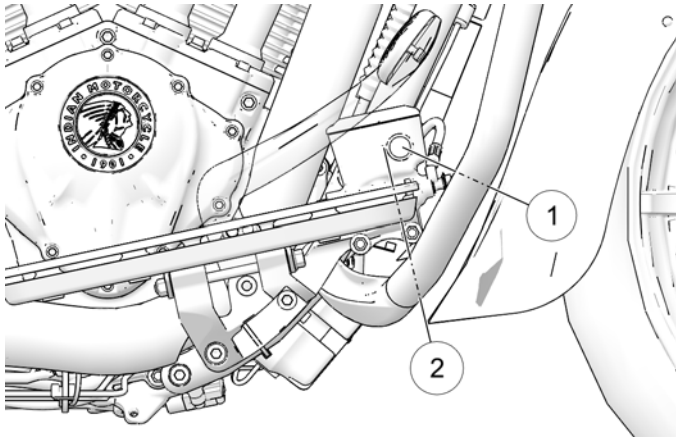
1. Pull the front brake lever toward the handlebar and hold it. The lever should move freely and smoothly. The lever should feel firm and continue to feel firm until released.
2. Release the lever. It should return to its rest position quickly when released.
3. If the front brake lever fails to perform as stated, service the brake lever before riding.

### REAR BRAKE PEDAL

1. Press downward on the rear brake pedal. It should move freely and smoothly. The pedal should feel firm and continue to feel firm until released.
2. Release the pedal. It should return to its rest position quickly when released.
3. If the rear brake pedal fails to perform as stated or travels too far before beginning to engage the brake, service the brakes before riding.

## REAR BRAKE FLUID LEVEL

The rear brake fluid reservoir is located near the rear brake pedal. View the reservoir level from the right side of the vehicle.



1. Position the motorcycle on level ground in the fully upright position.
2. View the brake fluid through the reservoir ①.
3. The fluid should be clear. Replace cloudy or contaminated fluid.
4. The fluid level should be above the minimum indicator mark ② on the reservoir body. Add brake fluid as needed.

## BRAKE LINES

Inspect all brake hoses and connections for dampness or stains from leaking or dried fluid. Tighten any leaking connections to the proper torque values and replace components as necessary. See the *INDIAN MOTORCYCLE Service Manual* or an authorized INDIAN MOTORCYCLE dealer or other qualified dealer.

### WARNING

Brake fluid leaks or low brake fluid levels could cause brake system failure, which could result in serious injury or death. Do not operate the vehicle with low brake fluid levels or when leaks are evident (dampness or stains from dried fluid). See your authorized INDIAN MOTORCYCLE dealer or other qualified dealer.

## THROTTLE

Rotate the throttle control grip. It should rotate smoothly from the rest position to the completely open position. It should return to the rest position quickly when released.

## PRE-RIDE INSPECTIONS

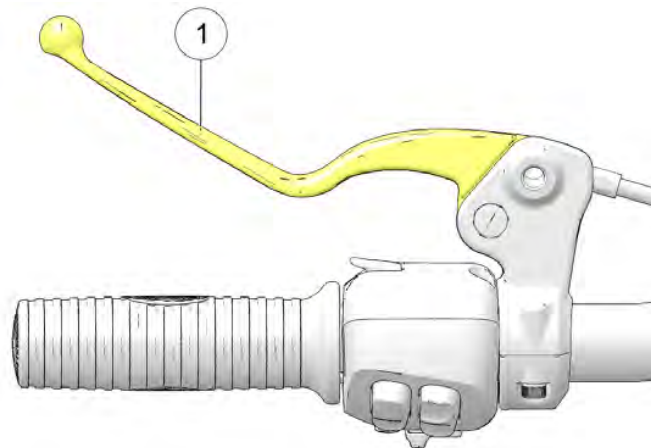
---

### SIDE-STAND

1. On level ground, straddle the motorcycle and bring it to the fully upright position.
2. Move the side-stand up to the stored position and down to the fully extended position several times. It should move smoothly and quietly. Make sure the return spring holds the side-stand tightly in place when the side-stand is in the stored position. Adjust or replace a loose spring.
3. Inspect the side-stand pivot bolt for looseness or wear. Tighten or replace a loose or worn bolt.
4. Periodically test the side-stand safety switch for proper operation. With the transmission in gear, brakes applied and clutch in, attempt to start the engine while the side-stand is down. The engine should NEVER start in any gear except neutral if the side-stand is down. If the engine starts during this test, see your dealer for service.

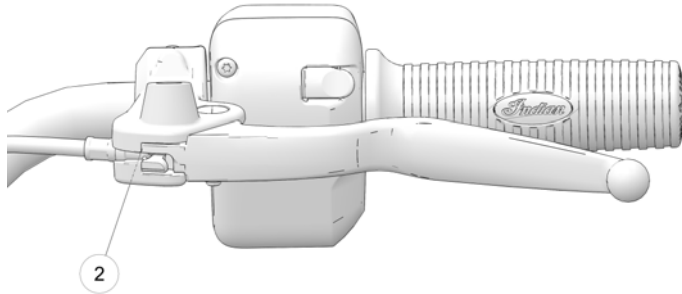
### MECHANICAL CLUTCH

1. Squeeze the clutch lever ① toward the handlebar and release it. It should move freely and smoothly, and it should return to the rest position quickly when released. If the lever fails to perform as stated, service the clutch lever before riding.



2. Freeplay (gap) is the amount of lever movement from the rest position to the point of cable resistance. Clutch lever freeplay should be 0.5-1.5 mm. Measure the gap between the clutch lever and the lever housing. Adjust clutch lever freeplay if

necessary.



#### NOTICE

The starter interlock switch is dependent on the clutch lever freeplay being set correctly to ensure activation of the clutch safety switch.

## FASTENERS

1. Inspect the entire motorcycle chassis and engine for loose, damaged or missing fasteners.
2. Tighten loose fasteners to the proper torque. See the *INDIAN MOTORCYCLE Service Manual* or an authorized INDIAN MOTORCYCLE dealer or other qualified dealer.

#### NOTICE

Always replace stripped, damaged or broken fasteners before riding. Use genuine INDIAN MOTORCYCLE fasteners of equal size and strength.

## FRONT SUSPENSION

Inspect the front forks for oil leaks or damage, and verify smooth suspension operation. See page 123.

## STEERING

1. On level ground, straddle the motorcycle and bring it to the fully upright position. Turn the handlebars from stop to stop. The action should be smooth, but not loose.
2. Make sure wires, hoses and control cables do not interfere with smooth steering.

## REAR SUSPENSION

Check rear shock absorber movement and air pressure to ensure the correct amount of suspension travel. See page 119.

## PRE-RIDE INSPECTIONS

### WARNING

Inadequate ground clearance could result in components contacting the ground, causing loss of control and serious injury or death. Always ensure ground clearance is at specification. See your dealer for service if you discover leaks or malfunction of any kind.

## REAR DRIVE BELT

### TIP

The drive belt system must be cool, clean and dry to accurately measure belt tension (deflection). Do not measure belt tension when the belt or drive system is wet or when it is hot (such as immediately after riding).

1. Check drive belt tension. See page 115.
2. Check the drive belt for debris.
3. Inspect drive belt condition. See page 113. If you discover cracks, broken teeth or frayed edges, replace the drive belt before riding. See the *INDIAN MOTORCYCLE Service Manual* or an authorized INDIAN MOTORCYCLE dealer can assist.

## FUEL LEVEL

For the most accurate reading, sit on the motorcycle and bring it to the upright position before turning it on.



Cruiser Models



Bagger and Touring Models



The segments of the fuel gauge ① show the level of fuel in the fuel tank. When the last segment clears, a low fuel warning is activated. All segments including the fuel icon will flash. Refuel promptly.



## OPERATION OVERVIEW

The operation section of this manual describes how to ensure maximum performance and longevity through the proper care and operation of your motorcycle.

Important areas covered by the operation section include:

- Engine Break-In
- Fueling
- Starting the Engine
- Shifting Gears
- Using Cruise Control
- Accelerating
- Braking
- Stopping the Engine
- Parking

### TIP

Even if you're an experienced motorcycle operator or passenger, read all of the safety information in this manual before operating the motorcycle. See page 13.

## ENGINE BREAK-IN

The engine break-in period for your motorcycle is the first 500 miles (800 km) of operation. During this break-in period, critical engine parts require special wear-in procedures so they seat and mate properly. Read, understand and follow all break-in procedures to ensure the long-term performance and durability of your engine.

### NOTICE

Failure to properly follow the engine break-in procedures outlined in this manual can result in serious damage to the engine. Avoid full throttle operation and other conditions that may place an excessive load on the engine during the break-in period.

The more cautiously you treat your motorcycle during the break-in period, the more satisfied you will be with its performance later on. Overloading the engine at low RPM and/or running the engine prematurely at high RPM may result in damage to the pistons and/or other engine components.

Observe the following precautions during the break-in period:

- Upon initial start-up, do not allow the engine to idle for long periods as overheating can occur.
- Avoid fast starts with wide open throttle. Drive slowly until the engine warms up.
- Avoid running the engine at extremely low RPM in higher gears (lugging the engine).
- Drive within the recommended operating speeds and gears.

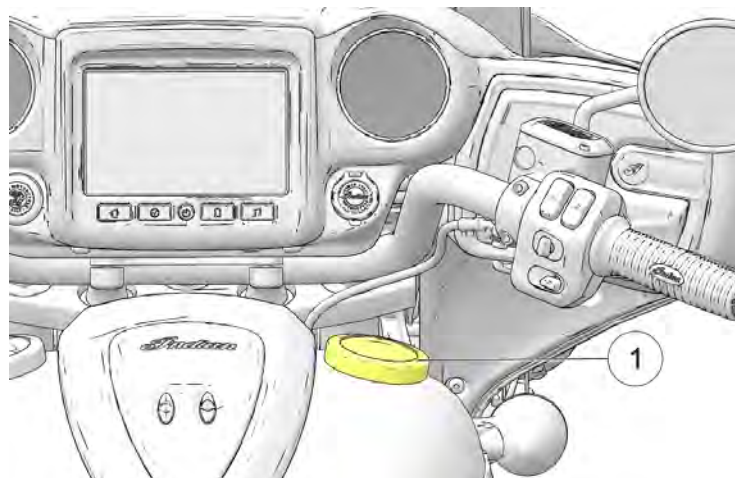
## OPERATION

### OPERATING SPEEDS AND GEARS

ODOMETER		BREAK-IN PROCEDURE
MILES	KM	
0-90	0-145	Do not operate for extended periods above 1/3 throttle or at any one throttle position. Vary engine speed frequently.
91-300	146-483	Do not operate for extended periods above 1/2 throttle or at any one throttle position. Vary engine speed frequently.
301-500	484-800	Do not operate for extended periods above 3/4 throttle.
At 500	At 800	Perform the break-in maintenance outlined in the maintenance section of this manual. Break-in maintenance should be performed by a dealership. Break-in maintenance must include inspection, adjustments, fastener tightening and an engine oil and filter change. Performing break-in maintenance at the required odometer reading helps ensure peak engine performance, minimal exhaust emissions and maximum service life of the engine.

### FUELING

Always dismount the motorcycle and refuel on level ground with the sidestand down. Review the fuel warnings. Use only the recommended fuel. See page 174. Hold the nozzle while filling. Do not rest the weight of the nozzle and hose on the filler neck. Do not leave the nozzle unattended.



#### **⚠ WARNING**

Overflows or spilled gasoline could contact a hot engine or exhaust system and cause a fire, which could result in serious injury or death. Do not allow gasoline to contact hot components.

#### **⚠ WARNING**

Always remove the fuel cap slowly and fill the fuel tank slowly to prevent spillage. Do not overfill the fuel tank. Leave space in the tank to allow for the fuel to expand.

1. Turn the fuel cap ① counter-clockwise to remove it.

**NOTICE**

If the fuel cap is equipped with a tether, carefully rest fuel cap on the tank so that the rubber bumper is contacting the tank.

2. Insert the fuel nozzle into the fuel tank filler neck. The nozzle-stop at the bottom of the filler neck will prevent over-insertion.
3. Add fuel to the tank until it touches the bottom edge of the filler neck. The tank is full at this level.
4. Always securely install the fuel cap before remounting the motorcycle. **Do not** operate engine without the fuel cap installed. To tighten the cap, turn it clockwise until the seal compresses onto the tank, then continue to tighten until the cap ratchets several times.

**NOTICE**

Fuel can damage painted surfaces and plastic parts. If gasoline spills on the any part of the motorcycle, immediately rinse it off with water or wipe it dry with a clean cloth.

## PRIMING THE FUEL SYSTEM

If the motorcycle runs out of fuel, prime the fuel system before attempting to restart the engine.

1. Fill the fuel tank.
2. Turn the power switch on.
3. Move the engine stop/run switch to the RUN position.
4. Allow the fuel pump to run until it stops (about 2 seconds).
5. Move the engine stop/run switch to the STOP position.
6. Repeat steps 3–5 five times.
7. Move the engine stop/run switch to the RUN position.
8. Start the engine.

## STARTING THE ENGINE

The starter interlock system allows the engine to be started only when the transmission is in neutral, or when the transmission is in gear with the clutch disengaged (clutch lever pulled in). The engine should NEVER start in any gear except neutral if the side-stand is down. See page 61.

**TIP**

If the motorcycle runs out of fuel, prime the system before attempting to restart the engine. See page 83.

## OPERATION

---

1. Perform the Pre-Ride Inspections. See page 69. Properly secure any cargo.
2. Straddle the motorcycle and bring it to the fully upright position. Retract the side-stand.

### TIP

For the electrical system to be activated with the power switch, the key fob must be within range. See page 35.

3. Move the engine stop/run switch to the RUN position.
4. Shift the transmission to neutral.
5. Apply the front brakes. Disengage the clutch (pull the clutch lever fully toward the handlebar).
6. The motorcycle will be electrically activated by pressing the power switch. Then with the throttle closed, press and release the starter switch to start the engine. The starter motor will crank until the engine starts, but no more than 3 seconds. If the engine does not start, wait five seconds and try again.
7. If starting a COOL engine, DO NOT open the throttle while starting. Idle speed is computer controlled and idle speed will adjust automatically depending on engine temperature and air temperature. Allow the engine to warm up for one minute minimum at low RPM after starting. Do not run the engine above 2500 RPM. If starting a WARM engine, DO NOT open the throttle while starting.

8. If either the check engine indicator or the low oil pressure indicator (or display) remains on after the engine starts, stop the engine *immediately*. Refer to the low oil pressure indicator/display information in the Low Oil Pressure Display section or the Indicator Lamps section.

### NOTICE

Operating an engine with a misfire or non-firing cylinder can overheat the catalytic converter, which could result in catalytic converter damage and loss of emission control. DO NOT OPERATE the motorcycle if a misfire or non-firing cylinder exists.

9. Leave the throttle closed and allow the engine to idle. Idle speed will gradually slow to normal as the engine warms to operating temperature.

### TIP

Do not rev the engine or put the transmission in gear immediately after starting the engine. Allow the engine to idle for about 30 seconds after a warm start or at least one minute after a cold start (longer in cold weather). This will allow oil to reach all areas before the engine is put under load.

### NOTICE

Do not run the engine at high RPM with the clutch disengaged or the transmission in neutral. Maximum safe engine speed is 5400 RPM. Never exceed the maximum safe RPM as this could result in serious engine damage.

## IDLE TIMER SHUTDOWN NOTIFICATION

### NOTICE

The engine is air-cooled and requires unrestricted air flow to ensure proper operating temperature. Long periods of idling or traveling at very low speeds (such as during a parade) may overheat the engine, resulting in serious engine damage.

To prevent overheating, the engine will shut down after running at idle for a prolonged period of time without user input. At any time during the idle countdown timer period, user input to the clutch/brake levers, or throttle, will end the shutdown sequence. Prior to engine shutdown, notifications will be provided to the user.



For motorcycles equipped with Ride Command, a notification will display a countdown timer to warn that the engine is about to shut off ①. After the time has elapsed and the engine is shut off, a subsequent notification will be displayed ②. After the engine shuts off, the engine can re-started by pressing the starter switch.

For motorcycles equipped with an instrument cluster (Cruisers), a flashing amber warning light indicator signals the start of the countdown timer ③. After the time has elapsed and the engine is shut off, the illuminated indicator will remain solid. The engine can be re-started by pressing the starter switch. After starting the engine, the Check Engine indicator should no longer be illuminated.



## OPERATION

### COLD WEATHER OPERATION



Avoid operating in icy or snowy conditions. Use caution when driving in temperatures at or below 40° Fahrenheit (4° Celsius).

Leave more room to stop, reduce cornering speeds, and accelerate gradually. Failure to do so could result in serious injury or death.

When operating in cold weather at or below 40° Fahrenheit (4° Celsius), be advised that:

- The grip on your standard vehicle tires will lessen and reduce traction.
- The dense air from the lower temperatures will allow your vehicle engine to generate more power.
- The engine control program and transmission control program may compensate for lower temperatures and as a result exhibit unexpected behaviors.
- Salt and sand on roadways may reduce the grip on standard vehicle tires and damage the finish on your vehicle. If you must drive on salted/sanded pavement, INDIAN MOTORCYCLE recommends washing frequently and thoroughly to remove any accumulation on your vehicle.

### SHIFTING GEARS



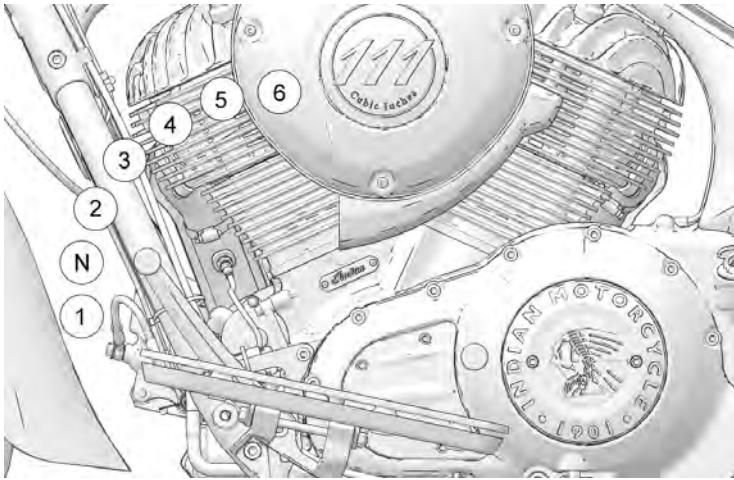
Forced shifting (without clutch lever pulled in) could cause damage to the engine, transmission and drive train. Such damage could cause loss of control, which could result in serious injury or death. Always pull the clutch lever fully toward the handlebars to disengage the clutch before shifting gears.

This motorcycle is equipped with a six-speed transmission. Neutral is located between first and second gear.

Press downward on the toe lever to shift to a lower gear. Lift upward on the toe lever to shift to a higher gear. Release the clutch lever after each gear shift.

Shifting to neutral is easiest if the motorcycle is rolling slowly. To shift from first gear to neutral, gently lift the toe lever a half stroke.



**TIP**

The transmission is in neutral if you can move the motorcycle forward or rearward freely without disengaging the clutch. If the power switch is ON, the neutral indicator illuminates when the transmission is in neutral.

**SHIFTING GEARS WHILE STATIONARY**

To locate neutral when the motorcycle is stationary, use one of the following techniques to load and unload the transmission:

1. With the clutch disengaged (lever pulled inward), shift into neutral while rocking the motorcycle forward and rearward.
2. With the transmission in first gear, gently release the clutch until it just begins to engage. Apply upward pressure on the toe lever and quickly pull the clutch inward.

**NOTICE**

There is a Neutral indicator light on the instrument cluster.

**SHIFTING GEARS WHILE DRIVING**

1. Start the engine.
2. With the engine at idle speed, apply the front brakes.
3. Disengage the clutch (pull the clutch lever fully toward the handlebar).
4. Push the toe lever downward until you feel it stop in first gear.
5. Release the brake lever.
6. Simultaneously release the clutch lever while opening the throttle (rolling the throttle control grip rearward) in one smooth motion. As the clutch begins to engage, the motorcycle will move forward.

## OPERATION

- To shift to a higher gear, accelerate smoothly to the recommended shift point. See *Recommended Shift Points* chart. With a quick motion, simultaneously close the throttle completely and disengage the clutch. Raise the toe shift lever until you feel it stop at the next gear. Simultaneously release the clutch lever and open the throttle in one smooth motion.

### TIP

Within the recommended speed ranges (see Recommended Shift Points chart), you can downshift to slow the motorcycle or to increase power. You may want to downshift when climbing a hill or passing. Downshifting also helps to decrease speed when combined with closing the throttle.

- To shift to a lower gear (downshift), simultaneously pull the clutch lever toward the handlebar and close the throttle. Move the toe shift lever downward until you feel it stop at the next gear. Simultaneously release the clutch lever while opening the throttle.

### WARNING

Downshifting improperly could cause transmission damage, loss of traction and loss of control, which could result in serious injury or death.

- Reduce speed before downshifting. Always downshift within the recommended shift points.
- Use extreme caution when downshifting on wet, slippery or other low traction surfaces. Release the clutch lever very gradually in these conditions.
- Avoid downshifting in a curve. Downshift before entering the curve.

## RECOMMENDED SHIFT POINTS

### UPSHIFTING (ACCELERATING)

GEAR CHANGE	RECOMMENDED SPEED
1 to 2	15 MPH (24 km/h)
2 to 3	25 MPH (40 km/h)
3 to 4	35 MPH (56 km/h)
4 to 5	45 MPH (72 km/h)
5 to 6	50 MPH (80 km/h)

### DOWNSHIFTING (DECELERATING)

GEAR CHANGE	RECOMMENDED SPEED
6 to 5	40 MPH (64 km/h)
5 to 4	35 MPH (56 km/h)
4 to 3	25 MPH (40 km/h)

GEAR CHANGE	RECOMMENDED SPEED
3 to 2	15 MPH (24 km/h)
2 to 1	10 MPH (16 km/h)

## BRAKING

Always allow sufficient stopping distance so that brakes can be applied gradually.

### NOTICE

Applying slightly more front brake than rear brake generally provides the best braking performance.

1. To slow the motorcycle with the brakes, close the throttle and apply the front and rear brakes evenly and gradually.

### NOTICE

If the anti-lock brakes engage during a braking event, the rider will feel pulsing at the brake levers. Continue to apply steady pressure to the brakes for the best stopping performance.

2. As the motorcycle slows, disengage the clutch, or downshift each time vehicle speed reaches a downshift point.

### WARNING

Braking improperly could result in loss of control, which could result in serious injury or death. Avoid braking abruptly. Always apply the brakes gradually, especially on wet, slippery or other low traction surfaces. Avoid braking in a curve or turn. Bring the motorcycle to the upright position before applying the brakes.

## ACCELERATING

Accelerate by opening the throttle (rolling the throttle control grip rearward). For even acceleration, open the throttle with a smooth, continuous motion. When you reach the recommended speed for upshifting, shift up one gear.

## OPERATION

### WARNING

Accelerating abruptly could cause your body to shift rearward suddenly, which could result in loss of control. Accelerating abruptly could also cause loss of control on low traction surfaces. Loss of control could result in serious injury or death. Always accelerate gradually, especially on wet, slippery or other low traction surfaces.

## STOPPING THE ENGINE

Before stopping the engine, bring the motorcycle to a complete stop. Shift to neutral or disengage the clutch.

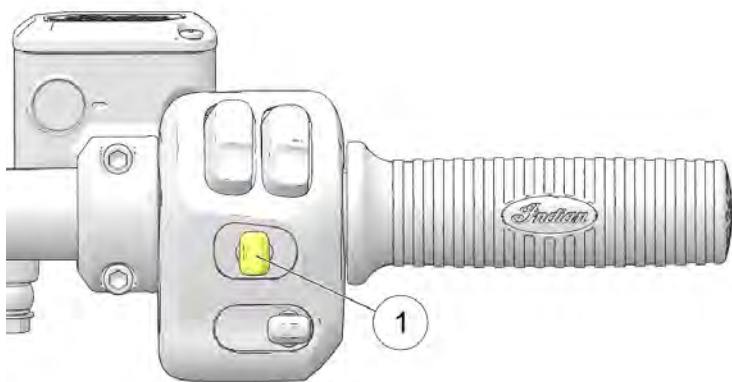
### WARNING

Stopping the engine with the transmission in gear while the motorcycle is moving could cause loss of rear wheel traction or engine and transmission damage, which could cause loss of control and serious injury or death. Always stop the engine after the motorcycle is fully stopped and the transmission is in neutral. If the engine stops unexpectedly while the motorcycle is moving, guide the motorcycle to a safe location off the road and away from traffic. Turn the power switch off.

1. When fully stopped, shift into neutral.
2. Move the engine stop/run switch to the STOP position.
3. Turn the power switch off.

## USING CRUISE CONTROL

The cruise control switches are located on the right handlebar. Read this section and understand how to safely operate this feature before using the cruise control.



Cruise control can be activated and adjusted from the right control using the Cruise Control Switch ①.

Toggle Position	Function
Left	Set/Decelerate
Center	Off/On
Right	Resume/Accelerate

 **WARNING**

Improper operation of cruise control could cause loss of control and result in serious injury or death. Follow all cruise operation procedures carefully. Never use cruise control when roads are wet or slippery. Do not use cruise control when riding in heavy or congested traffic.

## CRUISE CONTROL TIPS

- Cruise control can be set in gears 3-6.
- Vehicle speed must be above 20 MPH (32 km/h).
- Set speed will vary slightly in hilly terrain.
- Cruise control will not resume a pre-set speed if the resulting acceleration or deceleration rate is too high or too low. For example, resuming a set speed of 70 MPH from 40 MPH (64 km/h), while in 6th gear, may cause cruise to disengage.
- Cruise control will not engage if brake lights are not operating properly.
- The clutch or either brake must have been activated at least once since the engine was started for the cruise control to function.

## SET SPEED

1. Press and release the center of the cruise control switch ①. The amber cruise control indicator will illuminate in the instrument cluster. Cruise control is enabled, but not set.
2. Accelerate to the desired speed and press left on the cruise control switch to activate cruise control. The green cruise control indicator lamp will illuminate. Cruise control is set to the desired speed.

## RESUME SPEED

After disengaging the cruise control with the brake, throttle or clutch, press right on the cruise control switch to return to the set speed.

## ACCELERATE

While cruise control is engaged, tap right on the cruise control switch to increase speed in approximately 1 MPH (1-2 km/h) increments. Press and hold the right on the cruise control switch to accelerate to a new set speed (resets when switch is released).

**NOTICE**

If you use the throttle to accelerate and then release it, the cruise control will resume the previously set speed.

## OPERATION

---

### DECELERATE

While cruise control is engaged, tap and release left on the cruise control switch to decrease speed in approximately 1 MPH (1-2 km/h) increments. Press and hold left on the cruise control switch to decelerate to a new set speed (resets when switch is released), or to the minimum cruise speed of 20 MPH (32 km/h).

### CANCEL CRUISE CONTROL

To temporarily cancel the cruise control and allow use of the resume feature:

- Apply the brakes, or
- Pull the clutch lever in, or
- Roll the throttle grip forward past the idle position

To cancel the cruise control and erase the set speed from memory, press the cruise on/off switch.

### PARKING

Choose a firm level surface to park the motorcycle.

1. When fully stopped, shift into neutral.
2. Stop the engine.
3. Fully extend the sidestand.
4. Turn the handlebars to the left and lean the motorcycle to the left until the sidestand firmly supports the motorcycle.
5. Turn the power switch off and ensure the run/stop switch on the right-hand control is in the *off* position.

### PARKING ON A SLOPE

If parking on a slope is unavoidable, park with the front wheel uphill from the rear wheel. Place the transmission in first gear and position the motorcycle so that it is stable when it rests on the sidestand.

### PARKING ON A SOFT SURFACE

If parking on a soft surface is unavoidable, place a sidestand footrest under the foot of the sidestand to provide a firm surface. The sidestand footrest must be strong enough and large enough to support the motorcycle's weight without sinking into the parking surface.

Asphalt becomes soft in hot weather. A sidestand can sink into soft asphalt and the motorcycle may fall. When parking on asphalt in hot weather, use a sidestand footrest.



Hot engine and exhaust components can cause burns to skin and can ignite a fire if exposed to flammable materials. Always park the motorcycle clear of flammable materials and where people are not likely to contact hot components.

## MAINTENANCE REPLACEMENT PARTS

**Any replacement part that is equivalent in performance and durability may be used in the performance of any maintenance or repairs. However, INDIAN MOTORCYCLE is not liable for these parts. The owner is responsible for the performance of all required maintenance. Such maintenance may be performed at a service establishment or by any individual. The warranty period begins on the date the motorcycle is delivered to an ultimate purchaser.**

INDIAN MOTORCYCLE

2100 Highway 55

Medina, MN 55340

ATTN: Warranty Department

## SAFETY DURING SERVICE PROCEDURES

### WARNING

Failure to follow all recommended precautions and procedures could result in serious injury or death. Always heed all safety precautions and follow all operation, inspection and maintenance procedures outlined in this manual.

- Improperly installed or adjusted components can make the motorcycle unstable or hard to handle. Improperly installed electrical components can cause engine or electrical system failure. In either event, damage or serious injury could result. If you do not have the time, tools and expertise necessary to complete a procedure properly, please see your dealer for service.
- Review the safety-related maintenance information in the Safety Maintenance section.
- Before beginning any maintenance procedure, read the instructions for the entire procedure.
- Always position the motorcycle on a firm level surface before performing service. Make sure the motorcycle will not tip or fall while elevated or while on the sidestand. See the Elevating the Vehicle section for details.
- Hot engine and exhaust components can cause burns to skin and can ignite a fire if exposed to flammable materials. Always park the motorcycle clear of flammable materials and where people are not likely to contact hot components.
- Wear eye and face protection when using pressurized air.
- Never start the engine or let it run in an enclosed area. Engine exhaust fumes are poisonous and can cause loss of consciousness or death in a short time.
- During some procedures you may use potentially hazardous products such as oil or brake fluid. Always follow the instructions and warnings on the product packaging.
- Exhaust systems may contain fibrous materials that could cause irritation to respiratory system, eyes, and skin. While servicing, replacing, or removing exhaust system, avoid inhalation, skin or eye contact with fibers.

## MAINTENANCE

---

### ROAD TESTS

Before returning the motorcycle to regular use after performing service, road test it in a safe environment. Pay special attention to the proper fit and operation of all serviced components. Make any corrections or additional adjustments necessary to ensure safe vehicle performance.

### MAJOR MAINTENANCE

Major repairs typically require technical skills and specially designed tools. Emission system service requires special tools and training and should be performed by your dealer. See the *INDIAN MOTORCYCLE Service Manual* or an authorized INDIAN MOTORCYCLE dealer or other qualified dealer.

### BREAK-IN MAINTENANCE

Perform the break-in maintenance procedures when the motorcycle's odometer registers 500 miles (800 km). Please see your authorized dealer for this service.

Performing the break-in maintenance will help ensure optimum engine performance for the entire service life of the engine. Your dealer will change engine oil, inspect all fluids and serviceable components, ensure that all fasteners are tightened and make other adjustments as needed.

### PERIODIC MAINTENANCE

Inspect, clean, lubricate, adjust and replace parts as necessary. When inspection reveals the need for replacement parts, use genuine INDIAN MOTORCYCLE parts available from your dealer. Record service and maintenance information on page 189.

#### NOTICE

Use of non-recommended lubricants and components can result in damage to the motorcycle. Damage resulting from the use of non-recommended products is not covered by warranty.

Perform maintenance at the intervals specified in the following maintenance interval charts. *Vehicles subjected to severe use must be inspected and serviced more frequently.*

### SEVERE USE DEFINITION

- high speed operation for extended periods
- low speed operation for extended periods
- operation in dusty or otherwise adverse conditions
- operation in cold weather (temperatures below freezing)
- operation at max RPM for extended periods
- operation at minimum RPM with high load (lugging)
- operation with extreme load or weight



## MAINTENANCE INTERVALS

The maintenance interval charts outline required maintenance and inspection based on vehicle miles. Each table states the number of miles that service is required on the vehicle. Some items or components may need to be serviced more often due to severe use. When the vehicle goes beyond 50,000 miles, return to the 500 mile chart and start the interval process over.

### KEY

XU - Perform these procedures more often for vehicles subjected to severe use.

D - Have an authorized Indian Motorcycle dealer perform these services.

E - Emission Control System Service (California / International)

## 500 MILE (800 KM) SERVICE

ITEM		REMARKS
D	Crankcase Ventilation System	Inspect; tighten, clean, adjust
D	Drive Belt	Inspect; tighten, clean, adjust
	Damper, Cushion Drive	Visual inspection for cracks or deformation is required whenever the rear wheel is removed. Replace if damage is found.
D	Engine Mount Fasteners	Inspect; tighten, adjust

ITEM		REMARKS
XU	Engine Oil & Filter Change	Change oil and filter, inspect used oil for contaminants
E	Evaporative Emission Control System	Inspect; clean
E	Exhaust System	Inspect; tighten, adjust
D	Fuel System	Inspect; clean
	Key Fob Battery	Replace at specified interval or every 2 years
D	Oil Lines / Oil System Inspection	Inspect; clean, adjust if necessary
	Battery	Check terminals; clean
D	Brake Fluid	Change every two years (DOT 4)
XU / D	Brake Pads	Inspect pad wear; replace if worn beyond service limit
D	Clutch Lever	Lubricate with proper lubricant as directed
D	Clutch Cable Freeplay	Inspect; adjust if necessary
D	Control Cable Ends, Pinion Shaft Clevis	Inspect; lubricate with proper lubricant as directed
D	Fasteners	Inspect; tighten if necessary
D	Front Brake Lever	Adjust if necessary, lubricate with proper lubricant as directed

## MAINTENANCE

ITEM		REMARKS
D	Front Fork Oil	Inspect
D	Front Forks and Front Axle	Inspect; adjust if necessary
D	Gear Shift Pedal	Inspect; adjust if necessary
D	Head Light	Inspect; adjust if necessary
D	Rear Brake Pedal	Inspect; adjust if necessary
D	Rear Shock Absorber	Inspect; adjust if necessary
D	Rear Wheel Alignment	Inspect; adjust if necessary
	Road Test	Perform Road Test
D	Sidestand	Lubricate with proper lubricant as directed
D	Steering Bearings	Inspect
D	Suspension Linkage, Rear	Inspect
D	Swing Arm and Rear Axle	Inspect
D	Tires / Wheels	Inspect tread depth, sidewall cracking, wear patterns

## 2,500 MILE (4,000 KM) SERVICE

ITEM		REMARKS
XU	Air Filter	Inspect; clean
D	Crankcase Ventilation System	Inspect; tighten, clean, adjust
	Damper, Cushion Drive	Visual inspection for cracks or deformation is required whenever the rear wheel is removed. Replace if damage is found.
D	Drive Belt	Inspect; tighten, clean, adjust
E	Evaporative Emission Control System	Inspect; clean
E	Exhaust System	Inspect; tighten, adjust
D	Fuel System	Inspect; clean
D	Oil Lines / Oil System Inspection	Inspect; clean, adjust if necessary
	Battery	Check terminals; clean
D	Brake Fluid	Change every two years (DOT 4)
XU / D	Brake Pads	Inspect pad wear; replace if worn beyond service limit
D	Clutch Cable Freeplay	Inspect; adjust if necessary
D	Fasteners	Inspect; tighten if necessary

**5,000 MILE (8,000 KM) SERVICE**

ITEM		REMARKS
D	Front Brake Lever	Inspect; adjust if necessary, lubricate with proper lubricant as directed
D	Front Forks and Front Axle	Inspect; adjust if necessary
D	Gear Shift Pedal	Inspect; adjust if necessary
D	Head Light	Inspect; adjust if necessary
D	Rear Brake Pedal	Inspect; adjust if necessary
D	Rear Shock Absorber	Inspect; adjust if necessary
D	Rear Wheel Alignment	Inspect; adjust if necessary
	Road Test	Perform Road Test
D	Sidestand	Inspect; adjust if necessary, lubricate with proper lubricant as directed
D	Steering Bearings	Inspect
D	Suspension Linkage, Rear	Inspect
D	Swing Arm and Rear Axle	Inspect
D	Tires / Wheels	Inspect tread depth, sidewall cracking, wear patterns

ITEM		REMARKS
XU	Air Filter	Inspect; clean
D	Crankcase Ventilation System	Inspect; tighten, clean, adjust
	Damper, Cushion Drive	Visual inspection for cracks or deformation is required whenever the rear wheel is removed. Replace if damage is found.
D	Drive Belt	Inspect; tighten, clean, adjust
XU	Engine Oil & Filter Change	Change oil and filter, inspect used oil for contaminants
E	Evaporative Emission Control System	Inspect; clean
E	Exhaust System	Inspect; tighten, adjust
D	Fuel System	Inspect; clean
D	Oil Lines / Oil System Inspection	Inspect; clean, adjust if necessary
	Battery	Check terminals; clean
D	Brake Fluid	Change every two years (DOT 4)
XU / D	Brake Pads	Inspect pad wear; replace if worn beyond service limit
D	Clutch Lever	Inspect; adjust if necessary

## MAINTENANCE

ITEM		REMARKS
D	Clutch Cable Freeplay	Inspect; adjust if necessary
D	Control Cable Ends, Pinion Shaft Clevis	Inspect; lubricate with proper lubricant as directed
D	Fasteners	Inspect; tighten if necessary
D	Front Brake Lever	Adjust if necessary, lubricate with proper lubricant as directed
D	Front Fork Oil	Replace at specified interval or every 2 years
D	Front Forks and Front Axle	Inspect; adjust if necessary
D	Gear Shift Pedal	Inspect; adjust if necessary
D	Rear Brake Pedal	Inspect; adjust if necessary
D	Rear Shock Absorber	Inspect; adjust if necessary
D	Rear Wheel Alignment	Inspect; adjust if necessary
	Road Test	Perform Road Test
D	Sidestand	Inspect; adjust if necessary, lubricate with proper lubricant as directed
D	Steering Bearings	Inspect
D	Suspension Linkage, Rear	Inspect

ITEM		REMARKS
D	Swing Arm and Rear Axle	Inspect
D	Tires / Wheels	Inspect tread depth, sidewall cracking, wear patterns

## 10,000 MILE (16,000 KM) SERVICE

ITEM		REMARKS
XU	Air Filter	Inspect; clean
D	Crankcase Ventilation System	Inspect; tighten, clean, adjust
	Damper, Cushion Drive	Visual inspection for cracks or deformation is required whenever the rear wheel is removed. Replace if damage is found.
D	Drive Belt	Inspect; tighten, clean, adjust
D	Engine Compression	Inspect; correct if necessary
XU	Engine Oil & Filter Change	Change oil and filter, inspect used oil for contaminants
E	Evaporative Emission Control System	Inspect; clean
E	Exhaust System	Inspect; tighten, adjust
D	Fuel System	Inspect; clean

ITEM		REMARKS
D	Oil Lines / Oil System Inspection	Inspect; clean, adjust if necessary
D / E	Spark Plugs	Inspect; torque to specification
	Battery	Check terminals; clean
D	Brake Fluid	Replace (DOT 4)
XU / D	Brake Pads	Inspect pad wear; replace if worn beyond service limit
D	Clutch Lever	Lubricate with proper lubricant as directed
D	Clutch Cable Freeplay	Inspect; adjust if necessary
D	Control Cable Ends, Pinion Shaft Clevis	Lubricate with proper lubricant as directed
D	Fasteners	Inspect; tighten if necessary
D	Front Brake Lever	Adjust if necessary, lubricate with proper lubricant as directed
D	Front Fork Oil	Replace at specified interval or every 2 years
D	Front Forks and Front Axle	Inspect; adjust if necessary
D	Gear Shift Pedal	Inspect; adjust if necessary
D	Gear Position Switch	Inspect; clean.

ITEM		REMARKS
D	Head Light	Inspect; adjust if necessary
D	Rear Brake Pedal	Inspect; adjust if necessary
D	Rear Shock Absorber	Inspect; adjust if necessary
D	Rear Wheel Alignment	Inspect; adjust if necessary
	Road Test	Perform Road Test
D	Sidestand	Lubricate with proper lubricant as directed
D	Steering Bearings	Inspect
D	Suspension Linkage, Rear	Inspect
D	Swing Arm and Rear Axle	Inspect
D	Tires / Wheels	Inspect tread depth, sidewall cracking, wear patterns

**15,000 MILE (24,000 KM) SERVICE**

ITEM		REMARKS
XU	Air Filter	Replace
D	Crankcase Ventilation System	Inspect; tighten, clean, adjust

## MAINTENANCE

ITEM		REMARKS
	Damper, Cushion Drive	Visual inspection for cracks or deformation is required whenever the rear wheel is removed. Replace if damage is found.
D	Drive Belt	Inspect; tighten, clean, adjust
XU	Engine Oil & Filter Change	Change oil and filter, inspect used oil for contaminants
E	Evaporative Emission Control System	Inspect; clean
E	Exhaust System	Inspect; tighten, adjust
D	Fuel System	Inspect; clean
D	Oil Lines / Oil System Inspection	Inspect; clean, adjust if necessary
	Battery	Check terminals; clean
D	Brake Fluid	Change every two years (DOT 4)
XU / D	Brake Pads	Inspect pad wear; replace if worn beyond service limit
D	Clutch Lever	Inspect; adjust if necessary
D	Clutch Cable Freeplay	Inspect; adjust if necessary
D	Control Cable Ends	Inspect; adjust if necessary
D	Fasteners	Inspect; tighten if necessary

ITEM		REMARKS
D	Front Brake Lever	Adjust if necessary, lubricate with proper lubricant as directed
D	Front Fork Oil	Replace
D	Front Forks and Front Axle	Inspect; adjust if necessary
D	Gear Shift Pedal	Inspect; adjust if necessary
D	Rear Brake Pedal	Inspect; adjust if necessary
D	Rear Shock Absorber	Inspect; adjust if necessary
D	Rear Wheel Alignment	Inspect; adjust if necessary
	Road Test	Perform Road Test
D	Sidestand	Inspect; adjust if necessary, lubricate with proper lubricant as directed
D	Steering Bearings	Inspect
D	Suspension Linkage, Rear	Inspect
D	Swing Arm and Rear Axle	Inspect
D	Tires / Wheels	Inspect tread depth, sidewall cracking, wear patterns

**20,000 MILE (32,000 KM) SERVICE**

ITEM		REMARKS
XU	Air Filter	Inspect; clean
D	Crankcase Ventilation System	Inspect; tighten, clean, adjust
	Damper, Cushion Drive	Visual inspection for cracks or deformation is required whenever the rear wheel is removed. Replace if damage is found.
D	Drive Belt	Inspect; tighten, clean, adjust
D	Engine Compression	Inspect; correct if necessary
XU	Engine Oil & Filter Change	Change oil and filter, inspect used oil for contaminants
E	Evaporative Emission Control System	Inspect; clean
E	Exhaust System	Inspect; tighten, adjust
D	Fuel System	Inspect; clean
	Key Fob Battery	Replace
D	Oil Lines / Oil System Inspection	Inspect; clean, adjust if necessary
D / E	Spark Plugs	Inspect; torque to specification
	Battery	Check terminals; clean

ITEM		REMARKS
D	Brake Fluid	Replace (DOT 4)
XU / D	Brake Pads	Inspect pad wear; replace if worn beyond service limit
D	Clutch Lever	Lubricate with proper lubricant as directed
D	Clutch Cable Freeplay	Inspect; adjust if necessary
D	Control Cable Ends, Pinion Shaft Clevis	Lubricate with proper lubricant as directed
D	Fasteners	Inspect; tighten if necessary
D	Front Brake Lever	Adjust if necessary, lubricate with proper lubricant as directed
D	Front Fork Oil	Inspect
D	Front Forks and Front Axle	Inspect; adjust if necessary
D	Gear Shift Pedal	Inspect; adjust if necessary
D	Gear Position Switch	Inspect; clean.
D	Head Light	Inspect; adjust if necessary
D	Rear Brake Pedal	Inspect; adjust if necessary
D	Rear Shock Absorber	Inspect; adjust if necessary
D	Rear Wheel Alignment	Inspect; adjust if necessary

## MAINTENANCE

ITEM		REMARKS
	Road Test	Perform Road Test
D	Sidestand	Lubricate with proper lubricant as directed
D	Steering Bearings	Inspect
D	Suspension Linkage, Rear	Inspect
D	Swing Arm and Rear Axle	Inspect
D	Tires / Wheels	Inspect tread depth, sidewall cracking, wear patterns

### 25,000 MILE (40,000 KM) SERVICE

ITEM		REMARKS
XU	Air Filter	Inspect; clean
D	Crankcase Ventilation System	Inspect; tighten, clean, adjust
	Damper, Cushion Drive	Visual inspection for cracks or deformation is required whenever the rear wheel is removed. Replace if damage is found.
D	Drive Belt	Inspect; tighten, clean, adjust
XU	Engine Oil & Filter Change	Change oil and filter, inspect used oil for contaminants

ITEM		REMARKS
E	Evaporative Emission Control System	Inspect; clean
E	Exhaust System	Inspect; tighten, adjust
D	Fuel System	Inspect; clean
D	Oil Lines / Oil System Inspection	Inspect; clean, adjust if necessary
	Battery	Check terminals; clean
D	Brake Fluid	Change every two years (DOT 4)
XU / D	Brake Pads	Inspect pad wear; replace if worn beyond service limit
D	Clutch Lever	Inspect; adjust if necessary
D	Clutch Cable Freeplay	Inspect; adjust if necessary
D	Control Cable Ends	Inspect; adjust if necessary
D	Fasteners	Inspect; tighten if necessary
D	Front Brake Lever	Adjust if necessary, lubricate with proper lubricant as directed
D	Front Fork Oil	Inspect
D	Front Forks and Front Axle	Inspect; adjust if necessary
D	Gear Shift Pedal	Inspect; adjust if necessary
D	Rear Brake Pedal	Inspect; adjust if necessary



ITEM		REMARKS
D	Rear Shock Absorber	Inspect; adjust if necessary
D	Rear Wheel Alignment	Inspect; adjust if necessary
	Road Test	Perform Road Test
D	Sidestand	Inspect; adjust if necessary, lubricate with proper lubricant as directed
D	Steering Bearings	Inspect
D	Suspension Linkage, Rear	Inspect
D	Swing Arm and Rear Axle	Inspect
D	Tires / Wheels	Inspect tread depth, sidewall cracking, wear patterns

### 30,000 MILE (48,000 KM) SERVICE

ITEM		REMARKS
XU	Air Filter	Replace
D	Crankcase Ventilation System	Inspect; tighten, clean, adjust
	Damper, Cushion Drive	Visual inspection for cracks or deformation is required whenever the rear wheel is removed. Replace if damage is found.

ITEM		REMARKS
D	Drive Belt	Replace
D	Engine Compression	Inspect; correct if necessary
XU	Engine Oil & Filter Change	Change oil and filter, inspect used oil for contaminants
E	Evaporative Emission Control System	Inspect; clean
E	Exhaust System	Inspect; tighten, adjust
D	Fuel System	Inspect; clean
D	Oil Lines / Oil System Inspection	Inspect; clean, adjust if necessary
D / E	Spark Plugs	Replace
	Battery	Check terminals; clean
D	Brake Fluid	Replace (DOT 4)
XU / D	Brake Pads	Inspect pad wear; replace if worn beyond service limit
D	Clutch Lever	Lubricate with proper lubricant as directed
D	Clutch Cable Freeplay	Inspect; adjust if necessary
D	Control Cable Ends, Pinion Shaft Clevis	Lubricate with proper lubricant as directed

## MAINTENANCE

ITEM		REMARKS
D	Fasteners	Inspect; tighten if necessary
D	Front Brake Lever	Lubricate with proper lubricant as directed
D	Front Fork Oil	Replace
D	Front Forks and Front Axle	Inspect; adjust if necessary
D	Gear Shift Pedal	Inspect; adjust if necessary
D	Gear Position Switch	Inspect; clean.
D	Head Light	Inspect; adjust if necessary
D	Rear Brake Pedal	Inspect; adjust if necessary
D	Rear Shock Absorber	Inspect; adjust if necessary
D	Rear Wheel Alignment	Inspect; adjust if necessary
	Road Test	Perform Road Test
D	Sidestand	Lubricate with proper lubricant as directed
D	Steering Bearings	Inspect
D	Suspension Linkage, Rear	Inspect

ITEM		REMARKS
D	Swing Arm and Rear Axle	Inspect
D	Tires / Wheels	Inspect tread depth, sidewall cracking, wear patterns

## 35,000 MILE (52,000 KM) SERVICE

ITEM		REMARKS
XU	Air Filter	Inspect; clean
D	Crankcase Ventilation System	Inspect; tighten, clean, adjust
	Damper, Cushion Drive	Visual inspection for cracks or deformation is required whenever the rear wheel is removed. Replace if damage is found.
D	Drive Belt	Inspect; tighten, clean, adjust
XU	Engine Oil & Filter Change	Change oil and filter, inspect used oil for contaminants
E	Evaporative Emission Control System	Inspect; clean
E	Exhaust System	Inspect; tighten, adjust
D	Fuel System	Inspect; clean
D	Oil Lines / Oil System Inspection	Inspect; clean, adjust if necessary

ITEM		REMARKS
	Battery	Check terminals; clean
D	Brake Fluid	Change every two years (DOT 4)
XU / D	Brake Pads	Inspect pad wear; replace if worn beyond service limit
D	Clutch Lever	Inspect; adjust if necessary
D	Clutch Cable Freeplay	Inspect; adjust if necessary
D	Control Cable Ends	Inspect; adjust if necessary
D	Fasteners	Inspect; tighten if necessary
D	Front Brake Lever	Adjust if necessary, lubricate with proper lubricant as directed
D	Front Fork Oil	Inspect
D	Front Forks and Front Axle	Inspect; adjust if necessary
D	Gear Shift Pedal	Inspect; adjust if necessary
D	Rear Brake Pedal	Inspect; adjust if necessary
D	Rear Shock Absorber	Inspect; adjust if necessary
D	Rear Wheel Alignment	Inspect; adjust if necessary
	Road Test	Perform Road Test
D	Sidestand	Lubricate with proper lubricant as directed

ITEM		REMARKS
D	Steering Bearings	Inspect
D	Suspension Linkage, Rear	Inspect
D	Swing Arm and Rear Axle	Inspect
D	Tires / Wheels	Inspect tread depth, sidewall cracking, wear patterns

**40,000 MILE (64,000 KM) SERVICE**

ITEM		REMARKS
XU	Air Filter	Inspect; clean
D	Crankcase Ventilation System	Inspect; tighten, clean, adjust
	Damper, Cushion Drive	Visual inspection for cracks or deformation is required whenever the rear wheel is removed. Replace if damage is found.
D	Drive Belt	Inspect; tighten, clean, adjust
D	Engine Compression	Inspect; correct if necessary
XU	Engine Oil & Filter Change	Change oil and filter, inspect used oil for contaminants
E	Evaporative Emission Control System	Inspect; clean

## MAINTENANCE

ITEM		REMARKS
E	Exhaust System	Inspect; tighten, adjust
D	Fuel System	Inspect; clean
	Key Fob Battery	Replace
D	Oil Lines / Oil System Inspection	Inspect; clean, adjust if necessary
D / E	Spark Plugs	Inspect; torque to specification
	Battery	Check terminals; clean
D	Brake Fluid	Replace (DOT 4)
XU / D	Brake Pads	Inspect pad wear; replace if worn beyond service limit
D	Clutch Lever	Lubricate with proper lubricant as directed
D	Clutch Cable Freeplay	Inspect; adjust if necessary
D	Control Cable Ends, Pinion Shaft Clevis	Lubricate with proper lubricant as directed
D	Fasteners	Inspect; tighten if necessary
D	Front Brake Lever	Adjust if necessary, lubricate with proper lubricant as directed
D	Front Fork Oil	Inspect
D	Front Forks and Front Axle	Inspect; adjust if necessary

ITEM		REMARKS
D	Gear Shift Pedal	Inspect; adjust if necessary
D	Gear Position Switch	Inspect; clean.
D	Head Light	Inspect; adjust if necessary
D	Rear Brake Pedal	Inspect; adjust if necessary
D	Rear Shock Absorber	Inspect; adjust if necessary
D	Rear Wheel Alignment	Inspect; adjust if necessary
	Road Test	Perform Road Test
D	Sidestand	Lubricate with proper lubricant as directed
D	Steering Bearings	Inspect
D	Suspension Linkage, Rear	Inspect
D	Swing Arm and Rear Axle	Inspect
D	Tires / Wheels	Inspect tread depth, sidewall cracking, wear patterns

**45,000 MILE (72,000 KM) SERVICE**

ITEM		REMARKS
XU	Air Filter	Replace
D	Crankcase Ventilation System	Inspect; tighten, clean, adjust
	Damper, Cushion Drive	Visual inspection for cracks or deformation is required whenever the rear wheel is removed. Replace if damage is found.
D	Drive Belt	Inspect; tighten, clean, adjust
XU	Engine Oil & Filter Change	Change oil and filter, inspect used oil for contaminants
E	Evaporative Emission Control System	Inspect; clean
E	Exhaust System	Inspect; tighten, adjust
D	Fuel System	Inspect; clean
D	Oil Lines / Oil System Inspection	Inspect; clean, adjust if necessary
	Battery	Check terminals; clean
D	Brake Fluid	Change every two years (DOT 4)
XU / D	Brake Pads	Inspect pad wear; replace if worn beyond service limit
D	Clutch Lever	Lubricate with proper lubricant as directed

ITEM		REMARKS
D	Clutch Cable Freeplay	Inspect; adjust if necessary
D	Control Cable Ends, Pinion Shaft Clevis	Inspect; lubricate with proper lubricant as directed
D	Fasteners	Inspect; tighten if necessary
D	Front Brake Lever	Lubricate with proper lubricant as directed
D	Front Fork Oil	Replace
D	Front Forks and Front Axle	Inspect; adjust if necessary
D	Gear Shift Pedal	Inspect; adjust if necessary
D	Rear Brake Pedal	Inspect; adjust if necessary
D	Rear Shock Absorber	Inspect; adjust if necessary
D	Rear Wheel Alignment	Inspect; adjust if necessary
	Road Test	Perform Road Test
D	Sidestand	Lubricate with proper lubricant as directed
D	Steering Bearings	Inspect
D	Suspension Linkage, Rear	Inspect

## MAINTENANCE

ITEM		REMARKS
D	Swing Arm and Rear Axle	Inspect
D	Tires / Wheels	Inspect tread depth, sidewall cracking, wear patterns

## 50,000 MILE (80,000 KM) SERVICE

ITEM		REMARKS
XU	Air Filter	Inspect; clean
D	Crankcase Ventilation System	Inspect; tighten, clean, adjust
	Damper, Cushion Drive	Visual inspection for cracks or deformation is required whenever the rear wheel is removed. Replace if damage is found.
D	Drive Belt	Inspect; tighten, clean, adjust
D	Engine Compression	Inspect; correct if necessary
D	Engine Mount Fasteners	Inspect; tighten, adjust
XU	Engine Oil & Filter Change	Change oil and filter, inspect used oil for contaminants
E	Evaporative Emission Control System	Inspect; clean

ITEM		REMARKS
E	Exhaust System	Inspect; tighten, adjust
D	Fuel Filter Replacement	Replace
D	Fuel System	Inspect; clean
D	Oil Lines / Oil System Inspection	Inspect; clean, adjust if necessary
D / E	Spark Plugs	Inspect; torque to specification
	Battery	Check terminals; clean
D	Brake Fluid	Replace (DOT 4)
XU / D	Brake Pads	Inspect pad wear; replace if worn beyond service limit
D	Clutch Lever	Lubricate with proper lubricant as directed
D	Clutch Cable Freeplay	Inspect; adjust if necessary
D	Control Cable Ends, Pinion Shaft Clevis	Lubricate with proper lubricant as directed
D	Fasteners	Inspect; tighten if necessary
D	Front Brake Lever	Adjust if necessary, lubricate with proper lubricant as directed
D	Front Fork Oil	Inspect
D	Front Forks and Front Axle	Inspect; adjust if necessary

ITEM		REMARKS
D	Gear Shift Pedal	Inspect; adjust if necessary
D	Gear Position Switch	Inspect; clean.
D	Head Light	Inspect; adjust if necessary
D	Rear Brake Pedal	Inspect; adjust if necessary
D	Rear Shock Absorber	Replace
D	Rear Wheel Alignment	Inspect; adjust if necessary
	Road Test	Perform Road Test
D	Sidestand	Lubricate with proper lubricant as directed
D	Steering Bearings	Inspect
D	Suspension Linkage, Rear	Inspect
D	Swing Arm and Rear Axle	Inspect
D	Tires / Wheels	Inspect tread depth, sidewall cracking, wear patterns

When the vehicle goes beyond 50,000 miles, return to the 500 mile chart and start the interval process over.

## MAINTENANCE

### ENGINE OIL/FILTER CHANGE

Change the engine oil at the intervals specified in the Periodic Maintenance Table beginning on . Change the oil more frequently if the motorcycle is subjected to severe use, especially operation in cold weather. See page 94.

#### NOTICE

Failure to perform frequent oil changes during cold weather operation can result in condensation forming. Freezing condensation can result in plugged oil lines and serious engine damage.

The total amount of oil required for the oil and filter change is approximately 6.0 qts. (5.7 l). Follow all instructions carefully. Do not overfill.

#### NOTICE

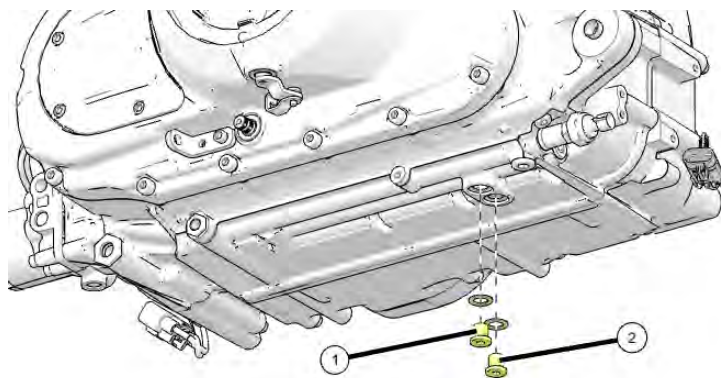
After an oil change, the low oil pressure indicator may illuminate when the engine is started. If this occurs, do not increase RPM above idle speed until the indicator turns off. Operating above idle speed could result in damage to the engine.

1. Change the oil and filter when the engine is warm. If the engine is cold, start the engine and allow it to run at idle for at least 5 minutes.
2. Park the motorcycle with the sidestand down on a firm, level surface. If using a service lift, the motorcycle should be centered.

3. Clean the area around the scavenge area drain plug ① and the storage area drain plug ②. Place a drain pan under both drain plugs.

#### CAUTION

Hot oil can cause burns to skin. Do not allow hot oil to contact skin.



4. Remove the drain plugs. Allow the oil to drain completely.
5. Install new sealing washers on the drain plugs. The sealing surfaces on drain plugs and engine should be clean and free of burrs, nicks or scratches.



6. Reinstall the drain plugs. Torque to specifications.

**TORQUE**

Drain Plug: 15 ft. lbs. (20 Nm).

**⚠ CAUTION**

Hot oil can cause burns to skin. Do not allow hot oil to contact skin. Wear leather gloves when handling hot components.

7. Place oil pan beneath the oil filter. Using an oil filter wrench, turn the filter counter-clockwise to remove it.
8. Using a clean dry cloth, clean the filter sealing surface on the engine.
9. Lubricate the o-ring on the new filter with a film of fresh engine oil. Check to make sure the o-ring is in good condition.
10. Install the new filter and rotate it clockwise by hand until the filter gasket contacts the sealing surface, then turn it an additional 3/4 to one full turn.
11. Remove the dipstick. Add only 4.5 qts. (4.25 l) of the recommended oil, 0.5 qts at a time, at this step. *Do not exceed 6 qts. Do not overfill.*
12. Reinstall the dipstick securely.
13. With the motorcycle in an upright, centered position, start the engine and idle for 30 seconds.

14. Stop the engine and check the oil level before adding any additional oil. Do not add oil if oil level is between the ADD and FULL marks. Overfilling can result in loss of engine performance and an oil-saturated air filter. Use suction device to remove excess oil if overfilled.

15. To ensure the oil level is within the safe operating range, re-check the oil level as outlined in .

**NOTICE**

After an oil change, the low oil pressure indicator may illuminate when the engine is started. If this occurs, do not increase RPM above idle speed until the indicator turns off. Operating above idle speed could result in damage to the engine.

16. Dispose of used filter and oil properly.
17. Check for leaks around drain plug and oil filter.

**NOTICE**

Recycle used oil and oil filter in accordance with local regulations.

18. **CHIEFTAIN MODELS / ROADMASTER:** Reset the oil change life in the instrument gauge.

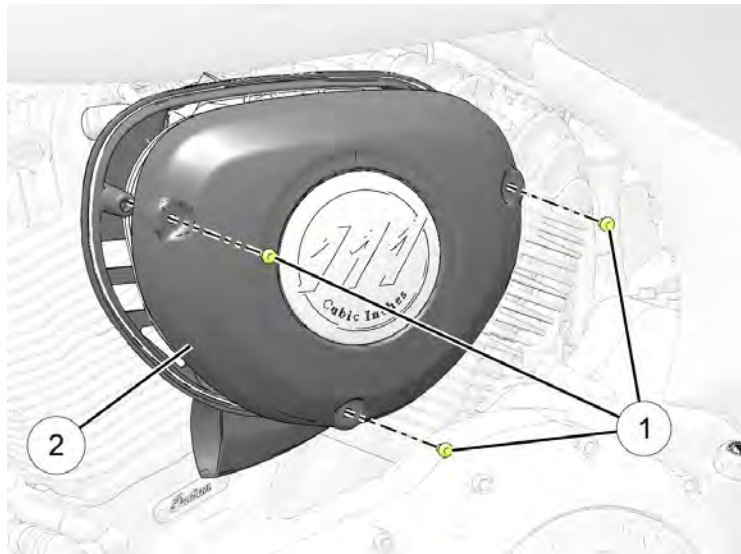
**FUEL FILTER**

The fuel filter is built into the electric fuel pump located inside the fuel tank. See your authorized INDIAN MOTORCYCLE dealer or other qualified dealer for replacement.

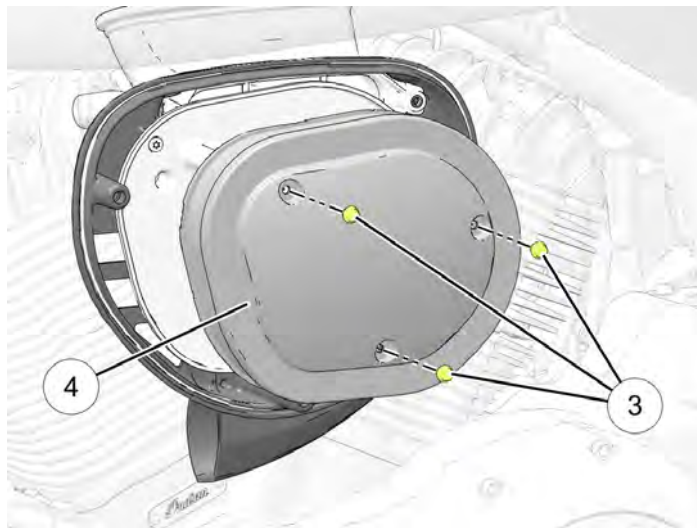
## MAINTENANCE

### AIR FILTER

The air box is located on the left side of motorcycle. Inspect the air filter often if riding in unusually wet or dusty conditions. Replace the filter at the intervals specified in the Periodic Maintenance Table on .



1. Remove the air box cover screws ① ,and remove the cover ②.
2. Remove the three air filter screws ③ and remove the air filter assembly.



3. Remove the air filter ④.
4. Clean the filter sealing surface on the backing plate.
5. Verify that the air box cover seal is properly seated in the groove around the outer edge of the air box backing plate.

6. Position the air filter assembly against the air box backing plate.
7. Reinstall the three screws. Torque to specification.

**TORQUE**

5 ft-lbs (7 Nm)

8. Reinstall the external air box cover and screws. Torque to specification.

**TORQUE**

7.4 ft-lbs (10 Nm)

**NOTICE**

A loose fitting cover or improperly installed filter element may allow debris to enter the engine which may cause premature engine wear. Do not blow out filter with compressed air.

**REAR DRIVE BELT CLEANING**

**NOTICE**

Do not inspect or adjust drive belt tension when the belt or drive system is wet or hot. Improper adjustment will result.

Cleaning the drive belt will maximize belt and sprocket life and minimize drive line noise. Clean the belt at every tire change. Clean the belt more often if riding in dirty, dusty or high debris environments.

1. Mix a few drops of mild dish soap with a cup of warm water.
2. Use a soft nylon brush to clean the belt and sprocket teeth with the soapy water. Clean well in corner areas where road debris and belt dust can collect.
3. Rinse the belt with clear water, then dry thoroughly.

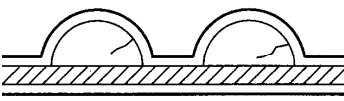
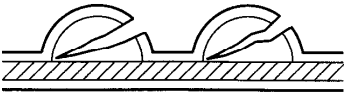
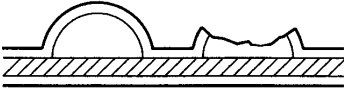
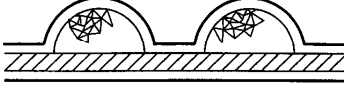
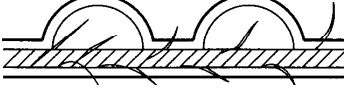
**REAR DRIVE BELT CONDITION**

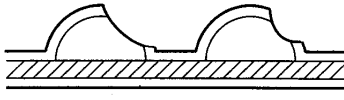

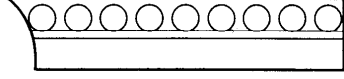
Inspect the rear drive belt at the intervals specified in the Periodic Maintenance Table on . Replace the drive belt if it is cracked or has broken teeth. No matter its condition, the drive belt should be replaced at periodic intervals. See the *INDIAN MOTORCYCLE Service Manual* or an authorized INDIAN MOTORCYCLE dealer can assist.

DO NOT attempt to check belt tension if the belt has been exposed to rain or washing within a 24 hour period or if the vehicle has been run at operating temperature within the last four hours. Allow the vehicle to cool down to ambient temperature before measuring belt tension.

## MAINTENANCE

### REAR DRIVE BELT WEAR ANALYSIS

WEAR ANALYSIS	BELT CONDITION
Internal tooth cracks (hairline): OK to run, but monitor condition	
External tooth cracks: Replace belt	
Missing teeth: Replace belt	
Chipping (not serious): OK to run, but monitor condition	
Fuzzy edge cord: OK to run, but monitor condition	

WEAR ANALYSIS	BELT CONDITION
Hook wear: Replace belt	
Stone damage: Replace belt if damage is on edge	
Bevel wear (outboard edge only): OK to run, but monitor condition	

## DRIVE BELT ADJUSTMENT

### IMPORTANT

Drive belt adjustments should be performed by an authorized Indian dealer, or an equivalent technician.

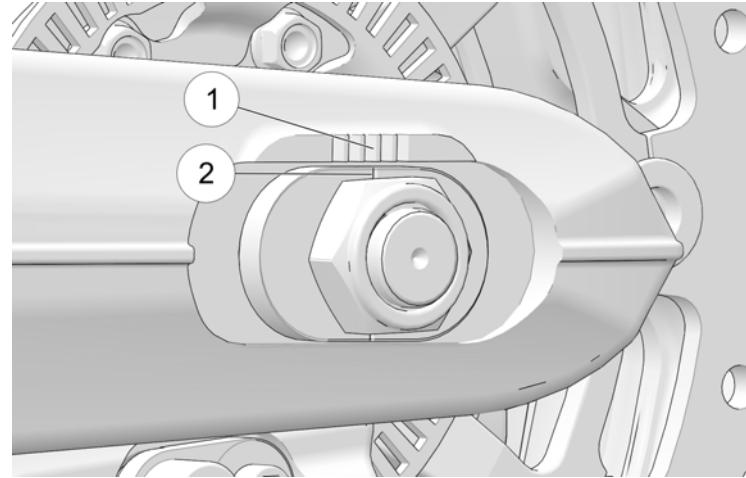
### IMPORTANT

Perform this procedure to achieve proper belt tension *and* alignment. Belt tension should be set before performing the alignment procedure.

## BELT TENSION

### WARNING

A drive belt that is not properly tensioned can cause drive line noise and damage the drive belt, causing possible belt failure and loss of control of the motorcycle.



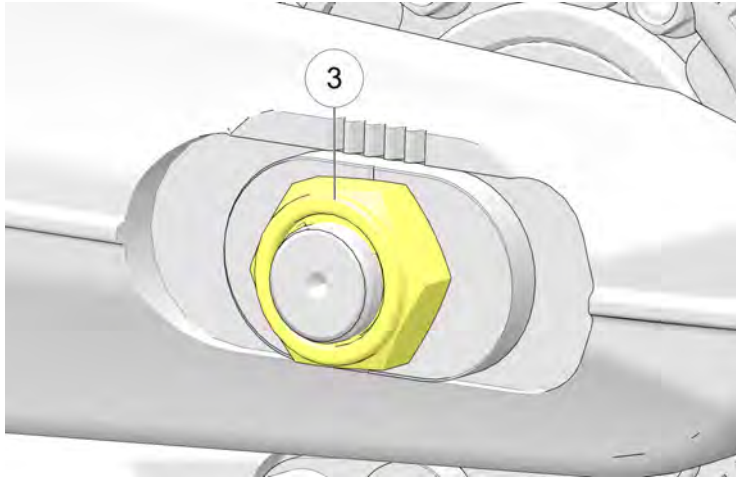
### NOTICE

Marks ① and ② are used as a reference for initial wheel alignment. Marks should be in roughly the same position on both left and right sides of wheel.

1. Place the motorcycle in an upright position with the front wheel clamped in a wheel vise.
2. Remove saddlebags if equipped.
3. Make note of adjuster locations ① and ②.

## MAINTENANCE

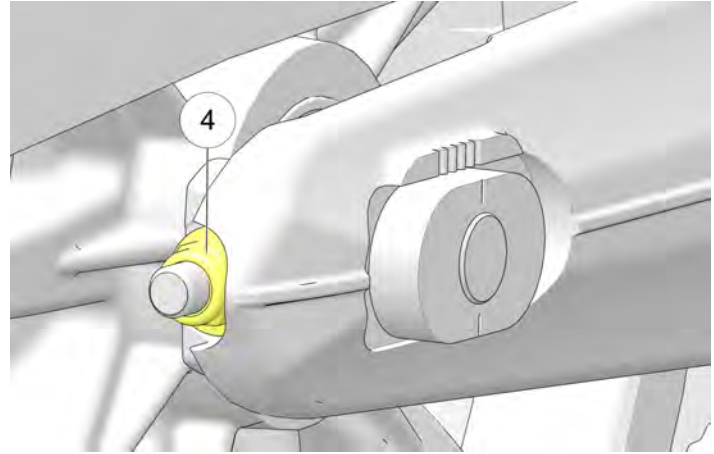
4. Raise the rear of the motorcycle so the rear tire can be freely rotated.
5. Loosen axle nut ③ and **retighten to the ADJUSTMENT SPECIFICATION during the adjustment procedure.**



### TORQUE

Axle Nut Torque (**ADJUSTMENT SPECIFICATION**): Initial Torque: 15 ft lbs (20 Nm)

6. Turn the RIGHT SIDE adjuster nut ④ to achieve proper belt tension.



### BELT DEFLECTION

MODEL	BELT DEFLECTION @ 10 LBS FORCE
All Models	1.3" (34 mm)

## BELT ALIGNMENT

### WARNING

A drive belt that is not properly aligned can cause drive line noise and damage the drive belt, causing possible belt failure and loss of control of the motorcycle.

### NOTICE

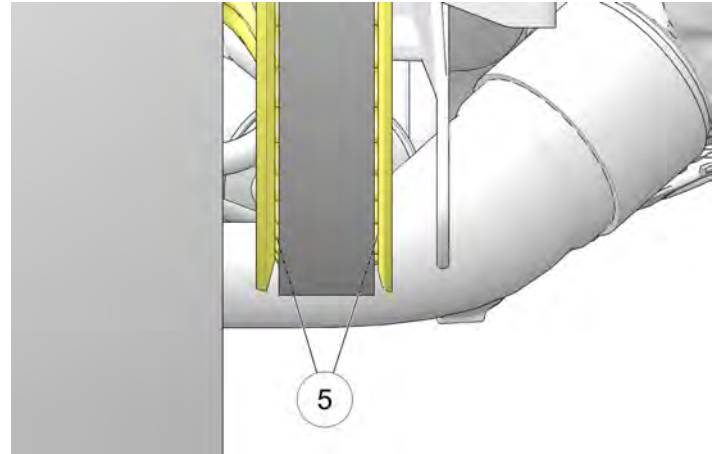
To minimize change in belt tension, use LEFT SIDE adjuster only to make final adjustments to belt alignment.

1. Rotate the wheel BACKWARD. Tighten LEFT SIDE adjuster until belt comes off inside sprocket flange during backward wheel rotation.

### IMPORTANT

The belt should track to the center of the sprocket tooth surface when properly aligned ⑤. Sprocket teeth should be visible on both sides of the drive belt.

2. Rotate the wheel in the FORWARD direction and verify that sprocket teeth are still visible on both sides of the drive belt ⑤



3. If necessary, loosen the axle nut and LEFT SIDE adjuster until belt just moves off the right flange and begins to track down the center of the driven sprocket flange during forward wheel rotation.

### NOTICE

It may be necessary to loosen the axle nut and tap the left end of the axle to ensure it moves forward when the adjuster is loosened. The axle nut must be retightened to the ADJUSTMENT SPECIFICATION before proceeding.

## MAINTENANCE

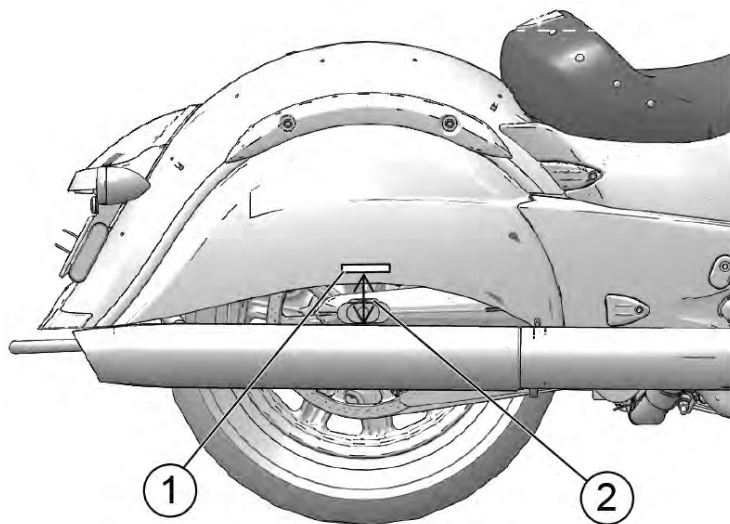
4. Rear wheel alignment is satisfactory when the drive belt remains centered on driven sprocket during forward and backward wheel rotation. Sprocket teeth should be visible from both sides of the drive belt.
5. Verify that drive belt tension is still within specification.
6. Tighten rear axle nut to FINAL specification.

### TORQUE

Axle Nut Torque (**FINAL TIGHTENING**): Final Torque: 65 ft lbs (88 Nm)

7. Pump rear brake pedal several times to reset brake pad distance.
8. Verify wheel rotates smoothly and freely without drag when brake pedal is released.

## REAR SHOCK PRELOAD (RIDE HEIGHT) INSPECTION



Periodically inspect rear shock preload. For the most comfortable ride and proper ground clearance, adjust preload if ride height is out of specification.

1. Verify that tire pressure is at specification. See page 136.
2. Secure the motorcycle in an upright position by clamping the front wheel in a wheel vise.



3. Remove the right-hand saddlebag (if equipped).
4. Apply a strip of tape ① to the rear fender directly over the center of the rear axle.
5. Using a suitable lift, raise the motorcycle until the rear shock is completely extended.
6. Measure the distance ② (*in millimeters*) from the center of the rear axle to the bottom of the tape. Record the results as measurement M1.
7. Lower the motorcycle and remove the lift.
8. Load the motorcycle with all intended cargo. Wearing your riding gear, bring the motorcycle to the upright position and sit on the operator's seat. If you plan to carry a passenger, have the passenger (with riding gear) sit on the passenger seat.
9. Have an assistant measure in the same location. Record the results as measurement M2.
10. Subtract measurement M2 from M1. The result is the measured rider sag. ( $M1 - M2 = \text{Sag}$ ). Adjust preload as needed.

RECOMMENDED SUSPENSION SAG		
All Models	45mm	1.75 in. (1 3/4)

## SHOCK AIR PRESSURE (RIDE HEIGHT) ADJUSTMENT



Air pressure increases **VERY** quickly when using pressurized air. Wear eye and face protection.

For riding comfort and to ensure proper ground clearance, adjust rear shock air pressure. Refer to the label located on the inside of the left side cover. The label shows recommended pressures based on potential load weights. Always inspect and adjust shock preload (ride height) based on your actual load weight, in addition to adjusting shock air pressure.

Follow these guidelines when adjusting:

- Park the motorcycle with the sidestand down on a firm, level surface. Remove all riders and cargo.
- DO NOT exceed 150 PSI (1034 kPa) in the shock.
- Use the INDIAN MOTORCYCLE Air Pump and Gauge (P/N PV-48909). Follow the instructions on the following pages.

If the recommended air pump is not available, use a gauge and a pressurized air source with a maximum line and gauge pressure of 150 PSI (1034 kPa). After using the alternate gauge, remove it quickly to minimize leakage. Expect to lose up to 5 PSI (34 kPa) with each pressure check. *Use only a dry air source*, such as a system with a water separator or air line dryer, to prevent moisture from entering the shock.

## MAINTENANCE

### NOTICE

Expect to lose up to 5 PSI (34 kPa) with each pressure check.

450	122	134	145	
475	134	145	N/A	
500	145	N/A	N/A	

## STANDARD SHOCK MODELS

### AIR SUSPENSION ADJUSTMENT

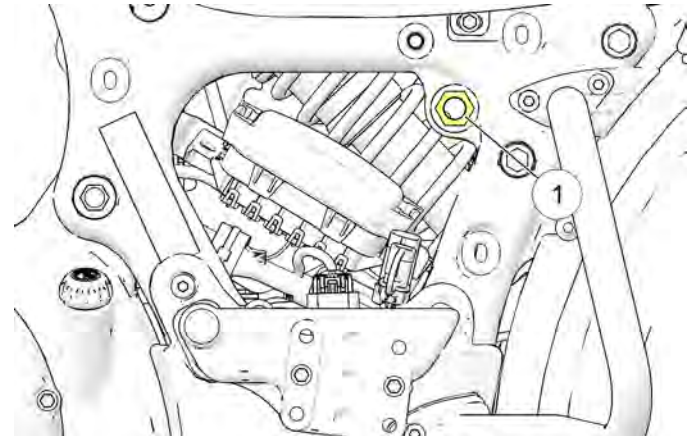
TOTAL CARGO & OCCUPANT WEIGHT (lbs)	AIR PRESSURE (psi)			MAX PRESSURE: 150 PSI
	NO TRUNK	LEATHER TRUNK	PAINTED TRUNK	
0	0	0	0	SELECT PRESSURE CORRESPONDING TO TOTAL CARGO AND OCCUPANT WEIGHT. REMOVE ALL PASSENGERS AND CARGO BEFORE SETTING/CHECKING SHOCK PRESSURE. SET PRESSURE WITH BIKE ON SIDE STAND.
150	0	0	0	
175	0	0	10	
200	0	10	23	
225	10	23	30	
250	23	30	38	
275	30	38	48	
300	38	48	60	
325	48	60	71	
350	60	71	85	
375	71	85	100	
400	85	100	122	
425	100	122	134	

## LOW SHOCK MODELS

AIR SUSPENSION ADJUSTMENT			
TOTAL CARGO & OCCUPANT WEIGHT (lbs)	AIR PRESSURE (psi)		MAX PRESSURE: 150 PSI
	NO TRUNK	PAINTED TRUNK	
0	0	0	SELECT PRESSURE CORRESPONDING TO TOTAL CARGO AND OCCUPANT WEIGHT. REMOVE ALL PASSENGERS AND CARGO BEFORE SETTING/CHECKING SHOCK PRESSURE. SET PRESSURE WITH BIKE ON SIDE STAND.
150	0	0	
175	0	10	
200	0	17	
225	10	24	
250	17	45	
275	24	65	
300	32	85	
325	40	97	
350	52	110	
375	67	119	
400	82	127	
425	98	136	
450	114	145	
475	130	N/A	
500	145	N/A	

## SHOCK AIR PRESSURE ADJUSTMENT PROCEDURE

1. Park the motorcycle with the sidestand down on a firm, level surface. Remove all riders and cargo.
2. Remove the left side cover. Remove the cap from the air fitting ①.



3. Determine the recommended rear shock air pressure. Refer to the label located on the inside of the left side cover.
4. Install the hose fitting of the recommended gauge securely onto the air fitting. Read the air pressure on the gauge.

## MAINTENANCE

---

5. To *reduce* air pressure, push the bleed button on the gauge. Bleed pressure in small amounts until the desired pressure is attained.
6. To *increase* pressure, pump the handle until pressure increases to the desired amount.



DO NOT exceed 150 PSI (1034 kPa) in the shock.

7. Remove the hose from the air fitting and reinstall the cap.

### TIP

Expect to lose up to 5 PSI (34 kPa) with each pressure check.

8. Repeat the preload inspection to verify proper preload. See page 118.

## SWING ARM/REAR AXLE INSPECTION

1. Sit in the operator's seat and slowly bounce the rear suspension a few times. Make sure the suspension moves freely without binding. Listen for abnormal noises.
2. Elevate and support the motorcycle with the rear tire slightly off the floor. See page 155.

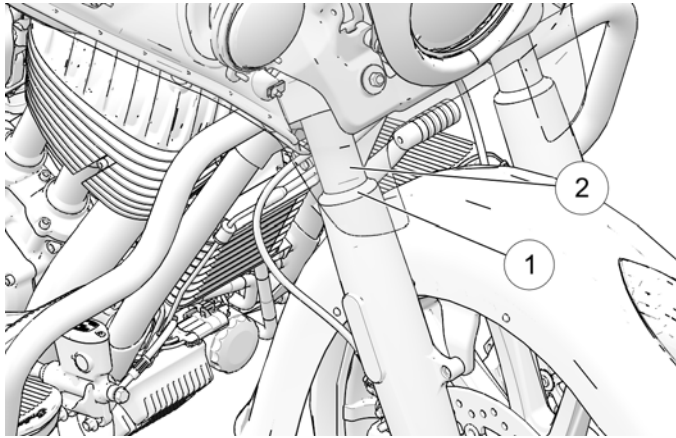


Make sure the motorcycle is stable when elevated. Injury may occur if the motorcycle tips or falls.

3. Grasp the rear wheel and attempt to move the wheel side-to-side. If there is movement at the front of the swingarm or in the axle area, see your dealer for service.
4. With the transmission in neutral, slowly rotate the rear wheel. If the wheel does not rotate smoothly, see your dealer for service.

## FRONT FORK/SUSPENSION INSPECTION

1. Place the motorcycle on the sidestand and inspect the front forks. If fork oil is present on the outer tube, *do not ride the motorcycle*. See your dealer for service before operating. If fork oil is present around the fork seals ① or inner tubes ②, replace the fork seals.



2. Clean the fork tubes to remove bugs, tar or buildup which may cause seal wear or leakage. Inspect the outer surfaces of the inner fork tubes for scratches or damage from foreign objects.

3. Straddle the motorcycle and bring it to the fully upright position. Apply the front brake and push downward (hard) on the handlebars several times. The front suspension should operate smoothly and quietly.
4. Fork oil condition and level affects front suspension performance and internal component wear. Replace fork oil at the recommended intervals. Special tools are required to perform this procedure. See the *INDIAN MOTORCYCLE Service Manual* or an authorized INDIAN MOTORCYCLE dealer can assist.

## STEERING HEAD INSPECTION

1. Elevate and support the motorcycle with the front tire slightly off the floor. See the Elevating the Motorcycle section for details.

**⚠ CAUTION**

Make sure the motorcycle is stable when elevated. Injury may occur if the motorcycle tips or falls.

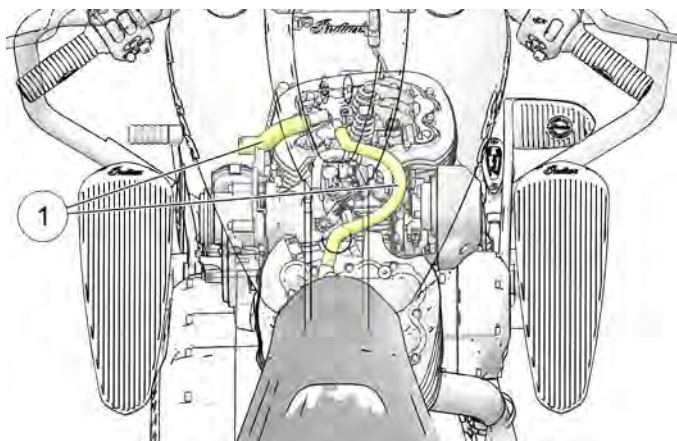
2. Turn the handlebars from stop to stop. The action should be smooth but not loose. Make sure wires, hoses and control cables do not interfere with smooth steering.
3. Position the front wheel straight ahead. Grasp the front forks near the front axle and attempt to move the wheel front-to-back. If there is front-to-back movement at the steering head, see your dealer for service.

## MAINTENANCE

4. If steering binds, feels rough or uneven, or if movement is detected at the steering stem, see your dealer for service.
5. Rotate the front wheel and inspect for smooth rotation of front wheel bearings. If roughness or unusual sounds are present, see your dealer for service.
6. Turn handle bars full right or left and hold against the fork stop. Attempt to move front wheel side-to-side. If movement is observed, see your dealer for service.

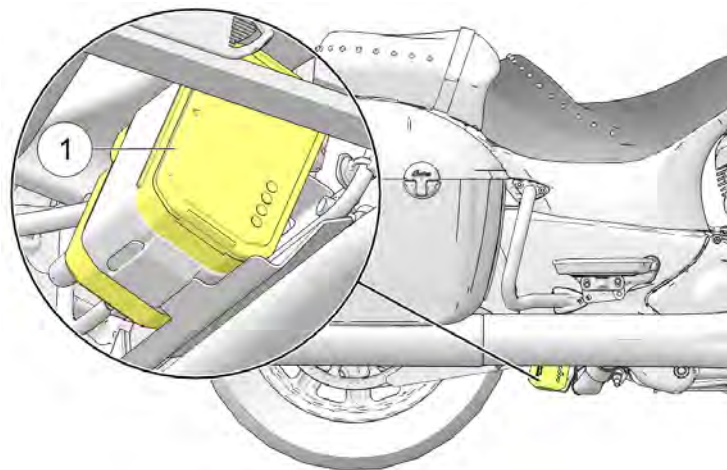
### CRANKCASE BREATHER HOSES

Inspect both breather hoses along their length and at both ends. Make sure hoses are not restricted, kinked, cracked or otherwise damaged. Replace any worn or damaged hoses.



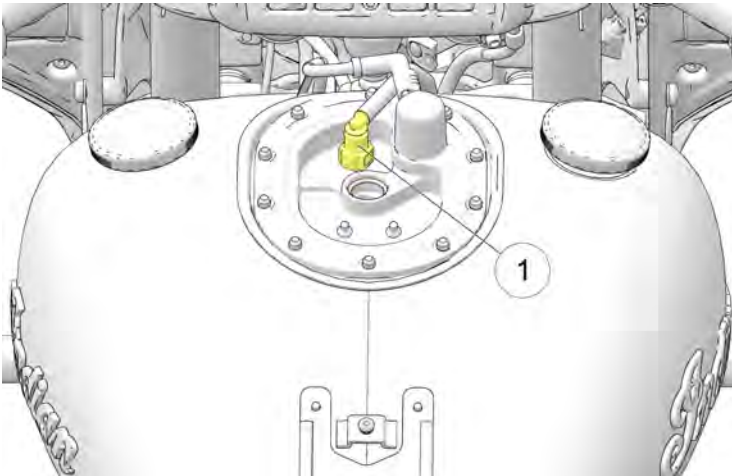
### EVAPORATIVE EMISSION CONTROL SYSTEM (CALIFORNIA AND INTERNATIONAL MODELS)

1. Inspect all evaporative emission control system hoses and connections. Make sure all connections are fully seated.
2. The canister ① is located under the rear fender. Make sure it is fully seated on the mounting bracket.
3. Inspect connections at the evaporative emissions canister to ensure they are secure. The vent line coming from the tank should be connected to the port labeled "TANK." The purge line should be connected to port labeled "PURGE."



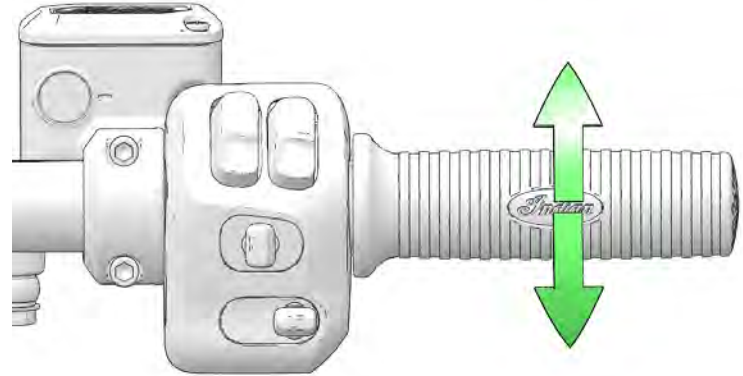
## FUEL SYSTEM COMPONENTS

1. Inspect fuel hoses for cracks or damage.
2. Inspect hose connections at the fuel tank ① and at the fuel rail for dampness or stains from leaks. The tank connection for the fuel line is under the tank console.
3. The fuel system is under pressure and caution must be used when inspecting and servicing the fuel system. See the *INDIAN MOTORCYCLE Service Manual* or an authorized INDIAN MOTORCYCLE dealer can assist.



## THROTTLE CONTROL INSPECTION

1. With the engine OFF, rotate the throttle control grip fully open and then release it. It should rotate smoothly from the rest position to the completely open position. It should return to the rest position quickly when released.
2. Service the throttle system if throttle operation is not smooth or if throttle grip does not return properly. See the *INDIAN MOTORCYCLE Service Manual* or an authorized INDIAN MOTORCYCLE dealer can assist.



## SIDESTAND LUBRICATION

Periodically lubricate the sidestand bushing. See page 61 for sidestand inspections.

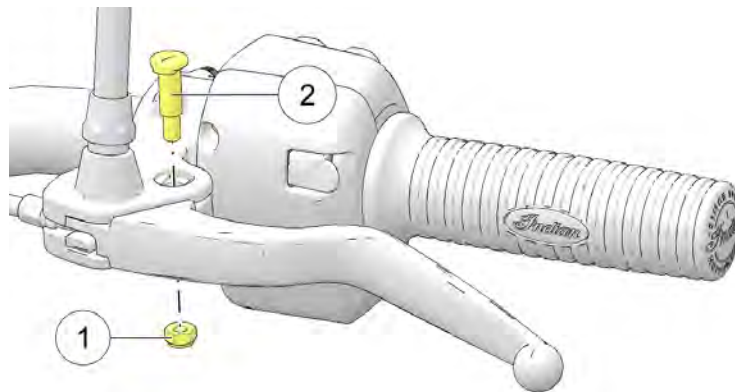
### MECHANICAL CLUTCH LEVER FREEPLAY

1. Position the handlebars in the straight-ahead position before measuring clutch lever freeplay.
2. The clutch cable adjuster nut is located on the bottom of the clutch cover on the engine. Loosen the lock nut.
3. Turn the cable adjuster inward or outward until clutch lever freeplay is 0.5-1.5 mm as measured at the clutch perch.
4. While holding the cable, tighten the adjuster lock nut securely.
5. Verify that the safety switch activates properly. The engine should not start in gear with the clutch lever released. Never test the clutch safety switch by attempting to start the motorcycle in gear.

#### TIP

The starter interlock switch is dependent on the clutch lever freeplay being set correctly to ensure activation of the clutch safety switch.

### MECHANICAL CLUTCH LEVER LUBRICATION



1. The clutch cable adjuster nut is located on the bottom of the clutch cover on the engine. Loosen the lock nut.
2. Turn the cable adjuster completely inward to provide maximum lever freeplay.
3. Remove the clutch lever bolt ① and pin ②. Disconnect the clutch cable from the clutch lever.



4. Remove any old grease and dirt from the lever and housing. Lubricate the clutch lever and pin with moly assembly grease or all-purpose grease.

**NOTICE**

During installation of the lever, be aware of the internal clutch switch. Improper assembly can cause damage to the switch.

5. Reconnect the clutch cable. Reinstall the lever bolt and pin.
6. Adjust clutch lever freeplay. See page 126.
7. Tighten the adjuster nut.

**TORQUE**

60 in-lbs (7 Nm)

## MECHANICAL CLUTCH CABLE LUBRICATION

Lubricate control cable ends at the intervals recommended in the Periodic Maintenance Table beginning on .

**NOTICE**

External casings are factory-lubricated. Additional lubrication could be detrimental to cable performance.

Verify proper routing and smooth movement. Inspect for damage to the external casing, and inspect exposed cable wire for fraying, kinks or corrosion. Replace any damaged, sticky or sluggish cable.

1. Disconnect the cable at the clutch lever and at the primary cover.
2. Lubricate the barrel ends with all-purpose grease.
3. Lubricate the clutch clevis/pinion pivot.
4. Reconnect the cable and adjust freeplay as needed.

## BRAKE HOSES/CONNECTIONS

Inspect all brake hoses and connections for dampness or stains from leaking or dried fluid. Tighten any leaking connections and replace components as necessary. See the *INDIAN MOTORCYCLE Service Manual* or an authorized INDIAN MOTORCYCLE dealer can assist.

## REAR BRAKE PEDAL

1. Lubricate the pivot bushing at the intervals recommended in the Periodic Maintenance Table beginning on . Also lubricate any time binding is evident. Use all-purpose grease.
2. Inspect brake pads as outlined in the Brake Pads section.

### BRAKE FLUID PRECAUTIONS

 **WARNING**

Using the wrong fluid or allowing air or contaminants into the fluid system can damage the system seals or result in a malfunction that could lead to serious injury or death. Use only DOT 4 brake fluid from a sealed container.

Do not operate the front brake with the reservoir cover removed. Fluid could overflow from the reservoir and allow air to enter the system. Air in the brake system could cause the brakes to malfunction.

An over-full reservoir may cause brake drag or brake lock-up, which could result in serious injury or death. Maintain brake fluid at the recommended level. Do not overfill.

**NOTICE**

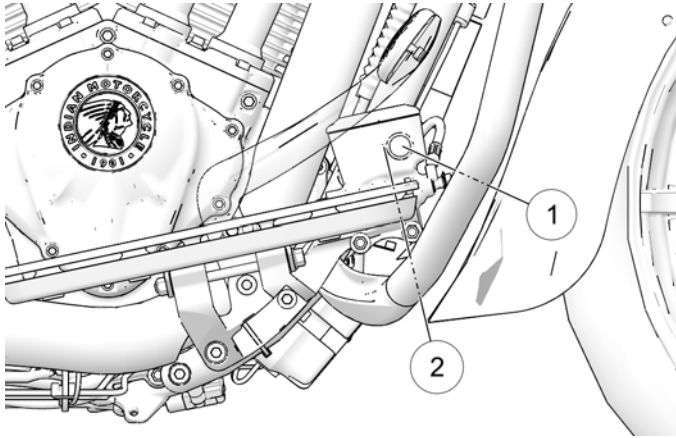
Brake fluid will damage painted surfaces and plastic parts. Always clean spilled brake fluid immediately with water and a mild detergent.

### REAR BRAKE FLUID

Change the brake fluid at the intervals recommended in the Periodic Maintenance Chart on page 94. Always add brake fluid from a new, unopened container. Always use the recommended fluid. See page 174.

1. Position the motorcycle on level ground in the fully upright position.
2. The rear brake fluid reservoir is located near the rear brake pedal. View the reservoir from the right side of the vehicle.
3. Wipe the fluid container and the area around the reservoir cover with a clean cloth.
4. If the fluid level is low, inspect brake pads as outlined on page 131. If pads are not worn beyond the service limit, inspect the brake system for leaks.

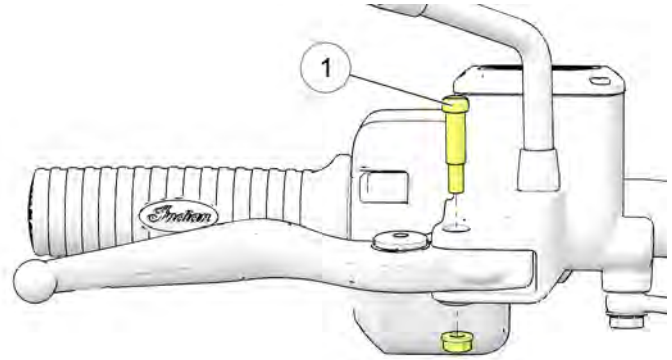
- Remove the cover and diaphragm. The fluid level should be above the minimum indicator mark ② on the reservoir body ①. Add brake fluid as needed. *Do not overfill.*



- Reinstall the cover and diaphragm.
- Wipe away any fluid spills. Check for signs of brake fluid leaks around hoses, fittings, reservoir, and brake calipers.

## FRONT BRAKE LEVER

- Lubricate the pivot pin ① and brake lever hinge points at the intervals recommended in the Periodic Maintenance Table. Also lubricate any time binding is evident. Use all-purpose grease.



- Inspect brake pads as outlined on page 131.

### TORQUE

Pivot Pin: 60 in lbs (7 Nm)

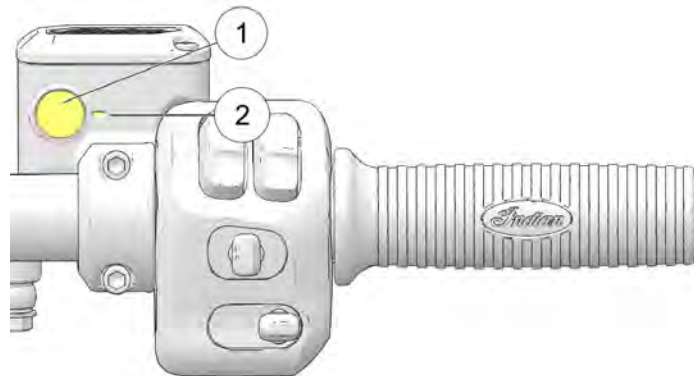
## MAINTENANCE

### FRONT BRAKE FLUID

Change the brake fluid at the intervals recommended in the Periodic Maintenance Table. Do not attempt to change the anti-lock brake system fluid. Please see your dealer for this service. Always add brake fluid from a new, unopened container. Always use the recommended fluid. See page 174.

1. Position the motorcycle on level ground in the fully upright position. Position the handlebars so that the fluid reservoir is level. Wipe the fluid container and the area around the reservoir cover with a clean cloth.
2. If the fluid level is low, inspect brake pads as outlined on page 131. If pads are not worn beyond the service limit, inspect the brake system for leaks.
3. To add fluid, remove the reservoir cover screws. Remove the cover and diaphragm.

4. The fluid level should be above the minimum indicator mark ① in the sight glass ②. Add brake fluid as needed. *Do not overfill.*



5. Reinstall the diaphragm, cover and screws.

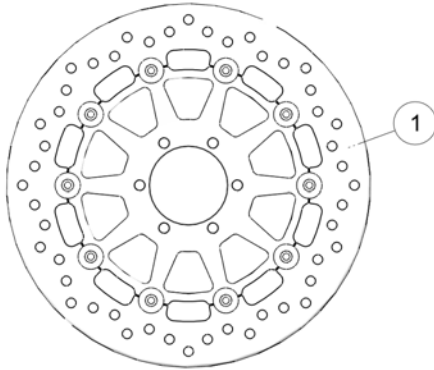
#### TORQUE

13 in-lbs (1.4 Nm)

6. Wipe away any fluid spills. Check for signs of brake fluid leaks around hoses, fittings, reservoir and brake calipers. Check for deterioration of hoses.

## BRAKE DISC INSPECTION/CLEANING

1. Inspect brake discs ① for nicks, scratches, cracks or other damage. Inspect the thickness of each brake disc at four or more locations around the disc. If any disc is worn to the minimum thickness at the thinnest point, or if a disc is damaged, see your dealer for replacement.



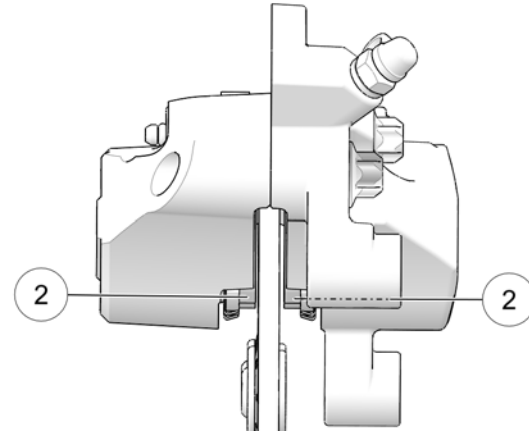
### NOTICE

**Minimum Thickness:** Front: 4.5mm; Rear 6.5mm  
Use a dial caliper to measure minimum thickness.

2. Clean discs if minor squeaks develop due to dirt or dust. Apply brake cleaner to a clean shop towel and wipe the discs. DO NOT allow brake cleaner to contact painted or plastic parts. Read all precautions on the label.

## BRAKE PADS

Inspect each front brake pad on both sides of the front disc. Inspect each rear brake pad on both sides of the rear disc. Replace brake pads when the thinnest point of the friction material ② has worn to 1.0 mm. Please see your dealer for this service.



### NOTICE

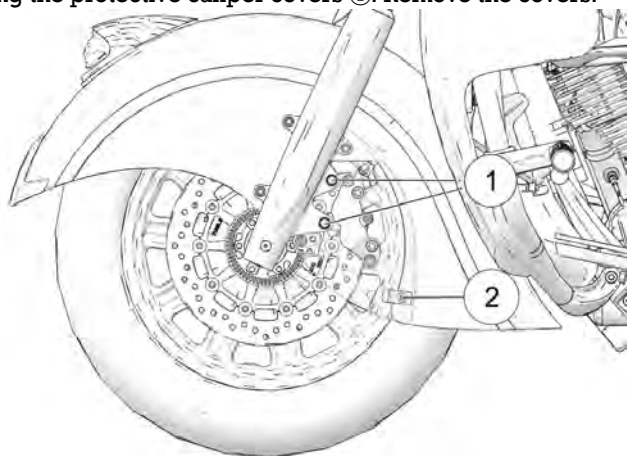
After replacing pads, allow up to 250 miles (500 km) of operation in urban driving conditions (not highway cruising) to allow pads to mate with new rotors. Brakes should be used frequently. During this time brake performance will be less effective. Avoid using brakes harshly unless in an emergency. Brake efficiency will gradually increase during this seating period.

## MAINTENANCE

When checking brake pad friction material thickness, check each brake caliper for dampness or stains from leaking or dried brake fluid. If inspection reveals signs of fluid leakage, do not operate the vehicle. See your dealer for service.

### FRONT BRAKE PAD INSPECTION

1. Remove the two acorn nuts (if equipped) ① and one screw securing the protective caliper covers ②. Remove the covers.



2. Use an inspection mirror, positioned at the front side of the caliper, to view the friction material.
3. Reinstall the caliper covers (if equipped).

### TORQUE

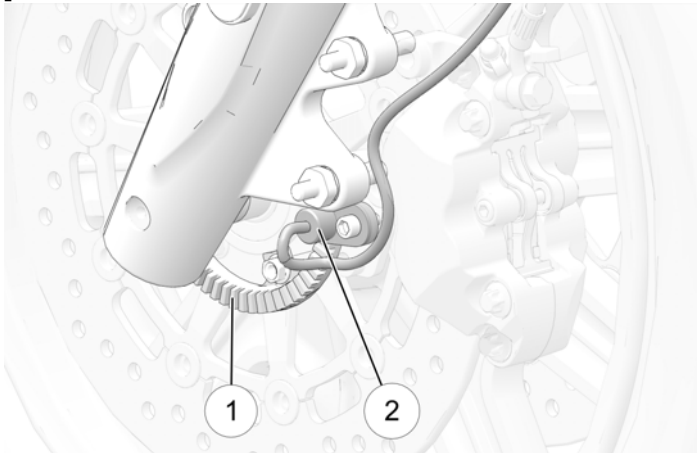
**Acorn Nuts ①:** 18 ft-lbs (24 Nm) **Caliper Cover Screw ②:** 84 in-lbs (9.5 Nm)

### REAR BRAKE PAD INSPECTION

1. Position the motorcycle on the sidestand with the handlebars turned to the left.
2. Use an inspection mirror, positioned at the front side of the caliper, to view the friction material.

## ANTI-LOCK BRAKE SYSTEM (ABS) TONE RING/SENSOR INSPECTION

1. Visually inspect for damaged teeth ① on the front and rear ABS tone rings. Inspect for nicks and dents on the face of the teeth. The teeth edges should be consistent in appearance. If a tone ring is damaged, see your dealer for replacement as soon as possible.



2. Inspect for debris adhering to the end of the wheel speed sensors ②. If contamination is observed, or if you are unable to visually inspect, slide a thin towel across the face of the sensor between the sensor and the tone ring to remove any potential debris.

## WHEEL SPOKES (IF EQUIPPED)

Inspect both wheels for loose, bent, broken or missing spokes (if equipped). To identify loose spokes, grasp each spoke and try to move it side to side or up and down. All spokes should be equally tight and have the same amount of flex. Tighten loose spokes and replace bent, broken or missing spokes (see an authorized dealer).



Spokes adjusted or replaced improperly could distort the wheel, make the motorcycle difficult to handle, and cause loss of control.

## WHEEL INSPECTION

Inspect both wheels for cracks or damage and replace damaged wheels promptly. Do not operate the motorcycle if wheels are damaged or cracked. See the *INDIAN MOTORCYCLE Service Manual* or an authorized INDIAN MOTORCYCLE dealer can assist.

## WHEEL ALIGNMENT

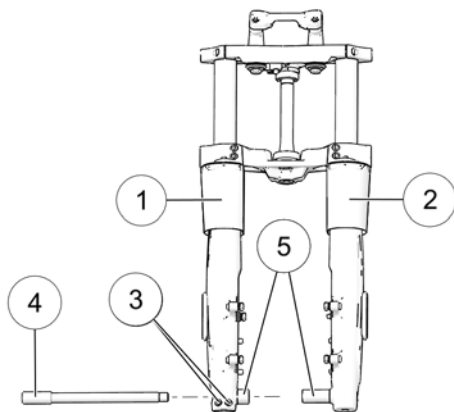
Inspect rear wheel alignment at regular service intervals, whenever the rear wheel is removed and when the rear drive belt is adjusted. Please see your dealer for this service.

## MAINTENANCE

### FRONT WHEEL INSTALLATION

If the front wheel is removed for any reason, it must be reinstalled in the correct rotating direction.

Clean all wheel components before installation. Apply a light coat of all-purpose grease to the axle and both spacers.



- ① Right Fork Tube
- ② Left Fork Tube
- ⑤ Wheel Spacers 0.925 in. (23.5 mm)

#### TORQUE

③ Pinch Bolt:  
18–19 ft-lbs. (24.4–25.7 Nm)

#### TORQUE

④ Axle Bolt:  
52 ft-lbs. (70 Nm)

### TIRES

#### WARNING

Operating the motorcycle with incorrect tires, incorrect tire pressure or excessively worn tires could cause loss of control or accident. Under-inflation can cause a tire to overheat and result in a tire failure. Always use the correct size and type of tires specified by INDIAN MOTORCYCLE for your vehicle. Only use tires approved by Indian Motorcycle for the model of motorcycle. See your dealer. Use of unapproved or an improperly matched front and rear tire can result in decreased handling performance and stability, potentially leading to reduced control of the motorcycle.



## TIRE REPLACEMENT

### NOTICE

On models equipped with a TPMS, the sensors are located 180° from the valve stem. Use caution when servicing tires. To avoid damaging a sensor, break the bead at the valve stem, then at 90° and 270° from the valve stem as required.

Tires, rims, innertubes and air valves must be correctly matched to wheel rims. Use only the proper size tires specified with the same or higher load ratings. INDIAN MOTORCYCLE-recommended tires provide proper clearance between fenders, swingarm, drive belts and other components. See the Specifications chapter.

On models equipped with innertubes, innertubes **MUST** be replaced with new innertubes when tires are replaced. Use only the proper size innertubes.

### WARNING

Mismatched tires, rims and air valves may result in damage to the tire bead during mounting or may allow the tire to slip off the rim, possibly resulting in tire failure.

## TIRE CONDITION

Inspect the tire sidewalls, road contact surface, and tread base for cuts, punctures, and cracking. Replace damaged tires immediately. See the *INDIAN MOTORCYCLE Service Manual* or an authorized INDIAN MOTORCYCLE dealer can assist.

## TIRE TREAD DEPTH

Replace any tire with a tread depth of less than 1/16 inch (1.6 mm).

Tread wear indicators are located in at least six places on the tread circumference and become visible at a tread depth of approximately 1/16 inch (1.6 mm). The tread wear indicators appear as a solid band across the tread.

You may also use a depth gauge or an accurate ruler to measure the depth of the center tire tread on both front and rear tires.

## MAINTENANCE

### TIRE PRESSURE

Always check and adjust tire pressure when tires are cold. Do not adjust tire pressure immediately after riding. Wait at least 3 hours after riding to check pressure. If pressure checked and adjusted while tires are warm, the pressure will drop as tires cool and result in under inflation. Adjust tire pressure as recommended for the total weight of your intended load (see tire pressure chart). For more information, refer to the manufacturing information label located on the front frame down tube.



Do not exceed the maximum recommended inflation pressure to seat the bead. Tire or rim failure may result.

### TIRE PRESSURE CHART

LOCATION	SIZE	BRAND	TYPE	RECOMMENDED PRESSURE	
				LOADS UP TO 200 LBS. (91 KG)	LOADS UP TO VEHICLE'S MAXIMUM LOAD CAPACITY
<b>INDIAN SPRINGFIELD</b>					
Front	130/80B17 65H	Metzeler®	Cruisetec®	36 psi (248 kPa)	36 psi (248 kPa)
Rear	180/60R16 80H	Metzeler®	Cruisetec®	41 psi (283 kPa)	41 psi (283 kPa)

LOCATION	SIZE	BRAND	TYPE	RECOMMENDED PRESSURE	
				LOADS UP TO 200 LBS. (91 KG)	LOADS UP TO VEHICLE'S MAXIMUM LOAD CAPACITY
<b>INDIAN SPRINGFIELD DARK HORSE</b>					
Front	130/60B19 66H	Metzeler®	Cruisetec®	36 psi (248 kPa)	36 psi (248 kPa)
Rear	180/60R16 80H	Metzeler®	Cruisetec®	41 psi (283 kPa)	41 psi (283 kPa)
<b>CHIEFTAIN MODELS</b>					
Front	130/60B19 66H	Metzeler®	Cruisetec®	36 psi (248 kPa)	36 psi (248 kPa)
Rear	180/60R16 80H	Metzeler®	Cruisetec®	41 psi (283 kPa)	41 psi (283 kPa)
<b>ROADMASTER</b>					
Front	130/80B17 65H	Metzeler®	Cruisetec®	36 psi (248 kPa)	36 psi (248 kPa)
Rear	180/60R16 80H	Metzeler®	Cruisetec®	41 psi (283 kPa)	41 psi (283 kPa)
<b>ROADMASTER DARK HORSE / ROADMASTER LIMITED</b>					
Front	130/60B19 66H	Metzeler®	Cruisetec®	36 psi (248 kPa)	36 psi (248 kPa)
Rear	180/60R16 80H	Metzeler®	Cruisetec®	41 psi (283 kPa)	41 psi (283 kPa)

## MAINTENANCE

### HANDLEBAR POSITION

On models equipped with two handlebar positions, the motorcycle is manufactured with handlebars in the low position. Before changing handlebar position, check regulations in your area of operation. Operation with the handlebars in the high position may not be legal in all areas for all riders.

#### WARNING

Handlebar control position must be checked for proper alignment each time handlebar position is changed. Failure to reposition controls could result in loss of vehicle control resulting in serious injury or death.

To change the handlebar position, do the following:

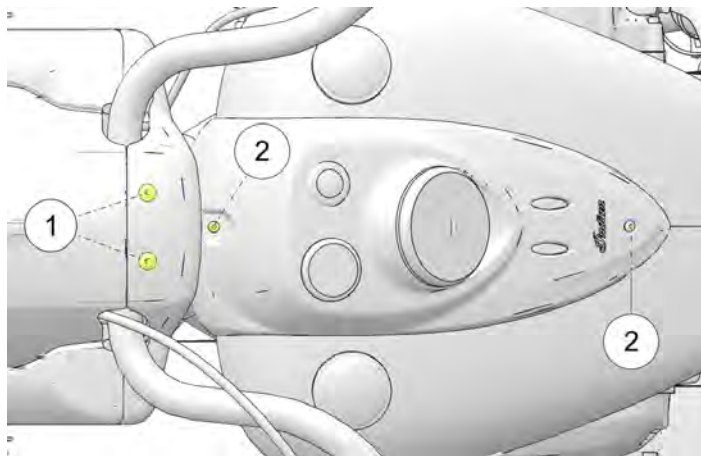
#### CAUTION

Protect painted surfaces on the front fender and fuel tank prior to beginning the following procedure. Use care when removing the nacelle so the chrome and paint do not get scratched.

#### CAUTION

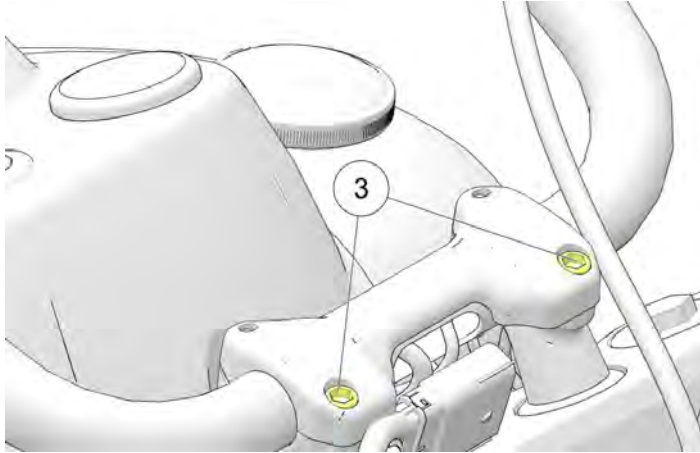
During disassembly, pay close attention to harness routing and connector orientation. Always route electrical wiring the same way as it was removed to avoid damaging wires and connectors.

1. Remove windshield assembly, if equipped.
2. Remove two fasteners ① at the top of the nacelle assembly.



3. Remove two fasteners ② securing the console cover to the fuel tank and lift console back and set on protected fuel tank.
4. Remove two fasteners per side securing the windshield mounting bracket assembly.
5. Rotate the auxiliary lamp assembly forward and lower out of the way.
6. Pull the rear portion of the nacelle assembly back toward the fuel tank to expose the handlebar risers.

7. Loosen the front handlebar clamp fasteners ③ and rotate the handlebar up so the rear portion of the nacelle can be removed.



8. Rotate the handlebar into the desired position and torque the riser clamp fasteners to specification.

### TORQUE

Riser Clamp Fasteners: 18ft-lbs (24 Nm) Tighten front fasteners first, then rear.

9. Push the front and rear portions of the nacelle together into position around the triple clamp.

10. Move the light bar / turn signal assembly into position and install the four fasteners finger tight.

### NOTICE

Verify that the rubber grommets securing the auxiliary light / turn signal harness have been slid into place.

11. Install the two fasteners ① located at the top of the nacelle and torque to specification.

### TORQUE

Upper Nacelle Fasteners: 36 in-lbs (4 Nm)

12. Torque the auxiliary light bar bracket fasteners to specification.

### TORQUE

Auxiliary Light Bar Bracket Fasteners: 18 ft-lbs (24 Nm)

13. Move the console cover into position and torque fasteners to specification.

### TORQUE

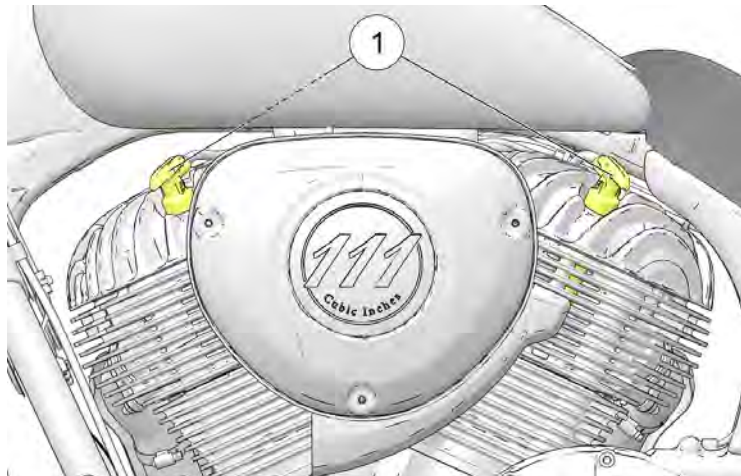
Console Cover Fasteners: 84 in-lbs (10 Nm)

## MAINTENANCE

14. Install windshield assembly, if equipped.
15. Verify that all controls are operating correctly and the handlebar turns freely from lock to lock.

### SPARK PLUGS

Inspect spark plugs ① after the break-in period and every 20,000 miles (32,000 km) thereafter. Replace spark plugs every 40,000 miles (64,000 km). Always replace spark plugs in pairs.



SPARK PLUG SPECIFICATIONS	
Spark Plug Type	NGK® DCPR8E
Spark Plug Gap	.034 inch (.9 mm)
Spark Plug Torque	12 ft-lbs (16.3 Nm)

1. Make sure the engine has cooled to room temperature.
2. Turn the power switch off.
3. Pull upward on the spark plug boots (not the wires) to remove the boots.
4. To prevent debris from entering the spark plug holes, use compressed air to clean the area around the plugs before removing them.

**Tool:** 12 mm plug socket



Wear eye and face protection when using pressurized air.

5. Reinstall the spark plugs or install new plugs.

#### TORQUE

Spark Plug: 12 ft-lbs (16.3 Nm)

6. Reinstall the spark plug boots.

## SIDE COVERS

Remove the left side cover to access the tool kit, shock air fitting (if equipped), fuse box and diagnostic connector.

Remove both side covers to access the seat mounting fasteners and the electrical connections for the saddlebags (if equipped).

1. Pull outward at each corner of the side cover to disengage the three darts.
2. Remove the side cover from the motorcycle.
3. To reinstall the side cover, make sure each rubber grommet is properly positioned. Align each dart with the appropriate grommet and press inward firmly to secure each dart.

**TIP**

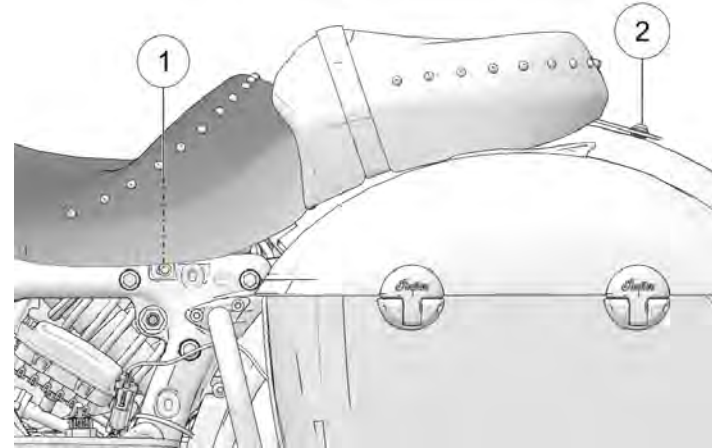
Apply lubricant to the grommet to assist with installation.

## SEAT REMOVAL

To remove the seat, do the following:

1. Remove the left side cover to access the tool kit.
2. Remove the right side cover.

3. Locate the seat mount brackets under the edge of the driver's seat. There are two seat mount brackets, one on each side of the vehicle. Remove both seat mount bolts ①.



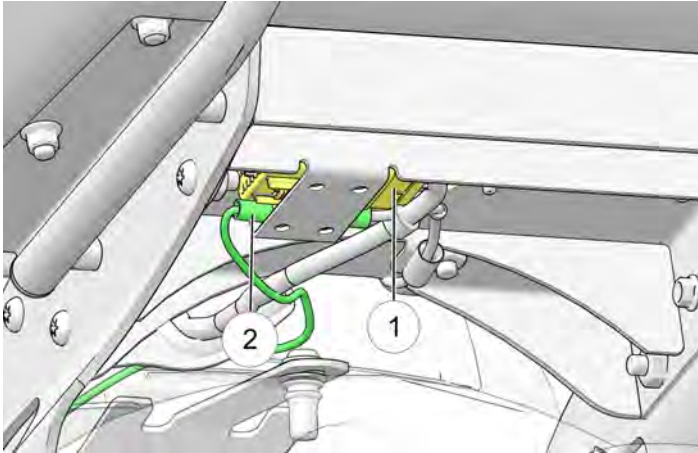
4. On models equipped with a passenger seat, remove the rear bracket bolt ②, washer, and nylon grommet.
5. Lift the rear of the seat and pull rearward to disengage the front mounting tab of the seat from the frame mount. Do not allow the seat mount brackets to contact the rear fender.

## MAINTENANCE

### SEAT REMOVAL (POWERED SEATS)

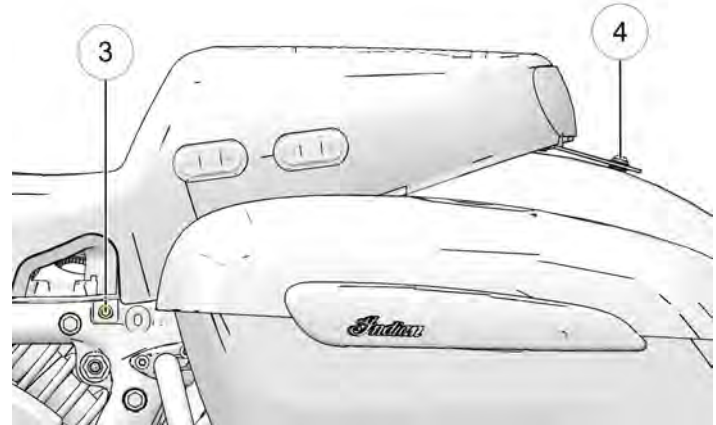
To remove powered seats, do the following:

1. Remove the left side cover to access the tool kit.
2. Disconnect the trunk harness ① from the main harness.



3. Remove the antenna ②.
4. Remove the trunk.
5. Remove the right side cover.

6. Locate the seat mount brackets under the edge of the driver's seat. There are two seat mount brackets, one on each side of the vehicle. Remove both seat mount bolts ③.



7. Remove the rear bracket bolt ④, washer and nylon grommet from the passenger portion of the seat.



8. Pull the seat rearward to disengage the front mounting tab of the seat from the frame mount.



Do not allow the seat mount brackets to contact the rear fender.

9. Lift the rear of the seat and unplug the electrical connector (if equipped).

## SEAT INSTALLATION

1. Position the seat by inserting the seat mounting tab from rear to front into the mount on the top of the frame.
2. Rotate the rear of the seat downward and position the side mount seat brackets onto the frame. Do not allow the seat mount brackets to contact the rear fender.

3. On each side, thread the seat mount bolt through the seat mount bracket and into the frame. Torque seat bolts to specification.

### TORQUE

18 ft-lbs (24 Nm)

4. Secure the passenger seat (if equipped). Gently raise the rear bracket and reinstall the nylon grommet. Thread the rear bracket bolt and washer through the bracket and nylon grommet. Torque the bolt to specification.

### TORQUE

96 in-lbs (10.8 Nm)

## SEAT INSTALLATION (POWERED SEATS)

1. Reconnect the electrical connector.
2. Position the seat by inserting the seat mounting tab from rear to front into the mount on the top of the frame.
3. Rotate the rear of the seat downward and position the side mount seat brackets onto the frame. Do not allow the seat mount brackets to contact the rear fender.

## MAINTENANCE

4. On each side, thread the seat mount bolt through the seat mount bracket and into the frame. Torque seat bolts to specification.

### TORQUE

18 ft-lbs (24 Nm)

5. Gently raise the rear bracket and reinstall the nylon grommet. Thread the rear bracket bolt and washer through the bracket and nylon grommet. Torque the bolt to specification.

### TORQUE

96 in-lbs (10.8 Nm)

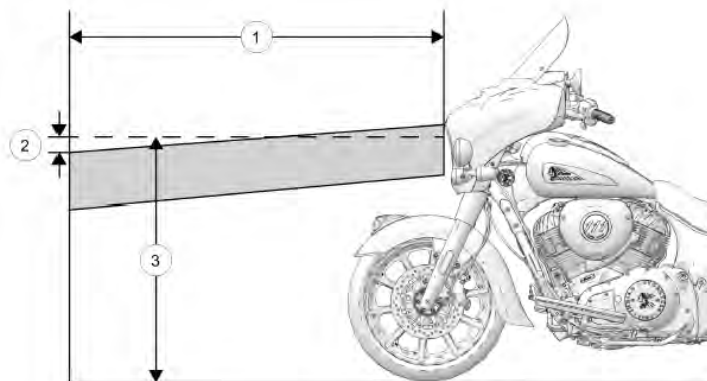
6. Reconnect the trunk harness to the main harness.
7. Reinstall the trunk.

## LIGHTS

### HEADLIGHT AIM INSPECTION

On LOW beam, the horizontal cut-off of the light beam ② should be 4 in. (10 cm) lower than the center of the headlamp bulb and centered straight ahead ① at 32 ft. 10 in. (10 m).

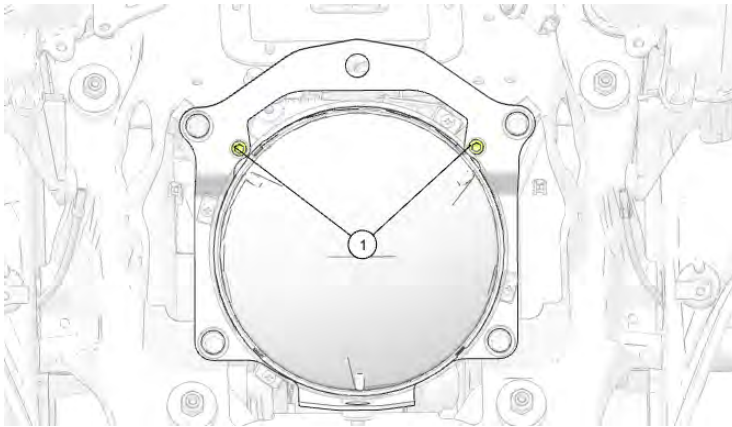
1. Verify that tire pressure is at specification. See the Tire Pressure section for details.
2. Verify that rear suspension ride height (preload) is at specification. See the Rear Shock Preload (Ride Height) Inspection section for details.
3. Position the motorcycle on a level surface with the headlight 32 ft. 10 in. (10 m) from a wall.
4. With the operator and passenger (if applicable) on board, bring the motorcycle to the fully upright position.
5. Start the engine and switch the headlamp to low beam. Observe the headlight aim on the wall.
6. Make any necessary adjustments to headlight aim.



NUMBER	DESCRIPTION
②	4 in (10 cm) to top cut-off of beam
①	Measure distance = 32 ft 10 in (10.0 m)
③	Headlight Center

## HEADLIGHT AIM ADJUSTMENT

The headlamp adjustment screws ① are located inside the headlamp housing.



1. On models equipped with a fairing, first remove the two headlight bezel screws (if equipped). Carefully pull down on the top edge of the headlight bezel to disengage the retention features, then remove the bezel from the fairing.

**Tool:** M4 hex wrench or universal tool

2. To adjust the headlamp vertically, tighten both top adjustment screws equally to adjust the beam downward. Loosen both screws equally to adjust the beam upward.

**Tool:** M4 hex wrench or universal tool

3. To adjust the headlamp horizontally, loosen the left side screw to adjust the beam to the left. Loosen the right side screw to adjust the beam to the right.

## HEADLIGHT LAMP REPLACEMENT

The LED headlight is not serviceable. If the headlight becomes damaged or inoperable, the entire headlight assembly must be replaced. See your authorized INDIAN MOTORCYCLE dealer.

## LED TAILLIGHT/BRAKE LIGHT REPLACEMENT

The LED taillight and brake lights are not serviceable. If the taillight or a brake light becomes damaged or inoperable, the entire light assembly must be replaced. See your authorized INDIAN MOTORCYCLE dealer or other authorized dealer.

## BATTERY

The motorcycle battery is a sealed, maintenance-free battery. Do not remove the battery cap strip for any reason. Keep the battery connections clean and tight at all times.

## MAINTENANCE

### WARNING

Battery electrolyte is poisonous. It contains sulfuric acid. Serious burns can result from contact with skin, eyes or clothing.

**Antidote:**

**External:** Flush with water.

**Internal:** Drink large quantities of water or milk. Follow with milk of magnesia, beaten egg, or vegetable oil. Call physician immediately.

**Eyes:** Flush with water for 15 minutes and get prompt medical attention.

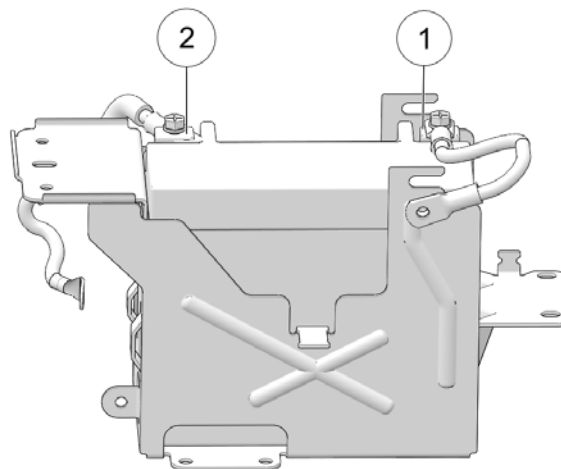
Batteries may produce explosive gases.

- Keep sparks, flame, cigarettes, etc. away.
- Ventilate when charging or using in an enclosed space.
- Always shield eyes when working near batteries.
- KEEP OUT OF REACH OF CHILDREN.

## BATTERY REMOVAL

### WARNING

Improperly connecting or disconnecting battery cables can result in an explosion and cause serious injury or death. When removing the battery, always disconnect the negative (black) cable first. When reinstalling the battery, always connect the negative (black) cable last.



1. Remove the seat. See page 141.
2. Remove the negative (-) battery cable ① from the battery terminal. Position the cable well clear of the terminal.  
**Tool:** 10 mm socket
3. Remove the fastener securing the battery cover to the frame crossmember.

- Lift the cover, with the attached Vehicle Control Module (VCM) in place, folding the wires toward the fuel tank.

**Tool:** 5 mm hex key socket

*NOTICE*

Do not allow the VCM to touch the battery terminals or it will damage the VCM instantly.

- Remove the rubber cover from the positive (+) battery cable ② and remove the cable from the terminal. Position the cable well clear of the terminal.
- Remove the battery.

 **WARNING**

If the VCM touches the positive battery post or wire the VCM can short out.

## BATTERY INSTALLATION

 **WARNING**

Improperly connecting or disconnecting battery cables can result in an explosion and cause serious injury or death. When removing the battery, always disconnect the negative (black) cable first. When reinstalling the battery, always connect the negative (black) cable last.

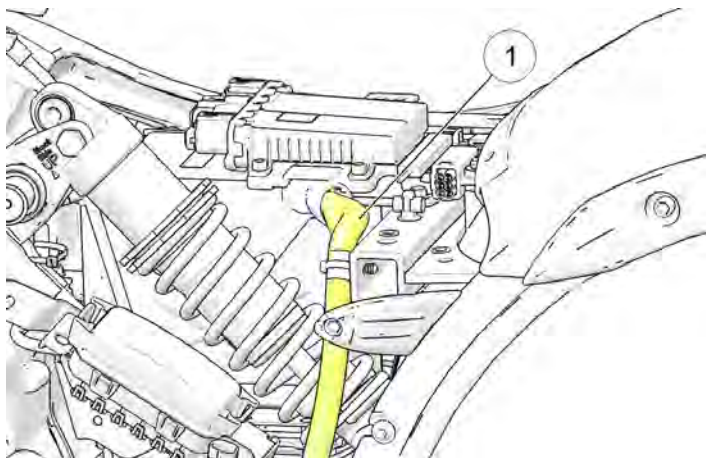
*NOTICE*

Do not remove the battery cables while the engine is running. Doing so may damage the Engine Control Unit (ECU). Take great care not to reverse the battery leads when installing the battery. Reverse power applied to the ECU will damage it instantly.

- Inspect the battery box and cover for damage. Be sure pads are in good condition and properly located.
- Make sure cable ends and battery terminals are clean. Apply a light film of dielectric grease to the terminal bolt threads.
- Carefully position the battery into the battery box with the negative (-) terminal toward the front of the motorcycle.

## MAINTENANCE

4. Make sure the positive (+) cable ① is routed horizontally and perpendicular to the long side of the battery. Connect the positive (+) cable to the positive (+) battery terminal.



### TORQUE

48 in-lbs (5.4 Nm)

5. Install the negative (-) cable last. Route the starter ground cable beneath the frame ground cable on the negative battery terminal.

### TORQUE

48 in-lbs (5.4 Nm)

6. Reinstall the battery cover and fastener.

### TORQUE

84 in-lbs (9.5 Nm)

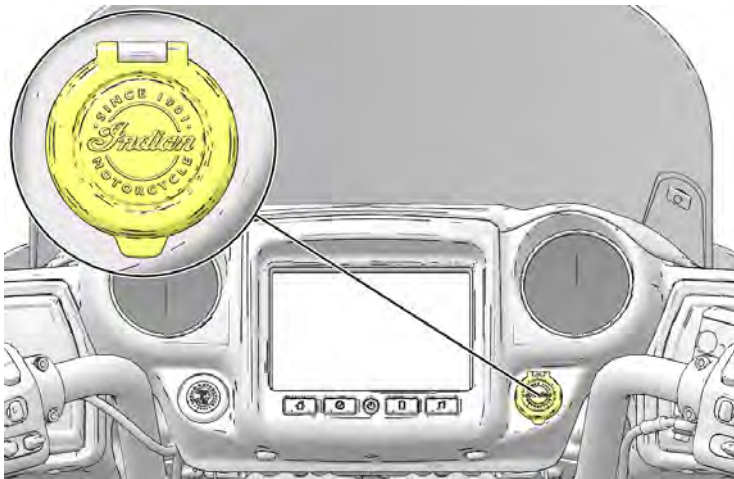
7. Reinstall the seat. See page 143.

## BATTERY CHARGING AND MAINTENANCE

### IMPORTANT

Read and follow the safety precautions listed on the battery and the proper battery charging procedures outlined in the Owner's Manual.

If your motorcycle will not be used for a period of two (2) weeks, a maintenance charger should be connected to the battery using the Battery Charge Port. The Battery Charge Port is located on the dash.



### NOTICE

Before connecting a battery charger to the Battery Charge Port, ensure the vehicle has cooled to ambient temperature. Do not allow cables to rest on hot or sharp surfaces while charging.

## AGM BATTERY CHARGER RECOMMENDATIONS

Indian Motorcycle recommends using the BatteryMINDER® 2012 AGM - 2 AMP battery charger (PN 2830438) to charge and maintain AGM batteries. The charger can be found on the Polaris or Indian PG&A websites or your authorized Indian Motorcycle dealer.

If not using the BatteryMINDER® 2012 AGM - 2 AMP battery charger, an automatic/constant monitoring AGM battery charger with a charging rate of 2 amps or less is recommended to prevent damage to the battery.

Batteries that fall below 12.5V run the risk of sulfation, a condition whereby sulfate crystals form inside the battery and significantly reduce performance. AGM chargers are designed specifically for charging AGM type batteries and use high frequency pulses to partially reverse sulfation.

### IMPORTANT

The use of non-AGM battery chargers may result in a misleading "battery not found" or "open cell" fault message. Please ensure you are using the recommended AGM charger when charging AGM type batteries to prevent damage to the battery.

## MAINTENANCE

### AGM BATTERY CHARGING RECOMMENDATIONS

If the motorcycle will not be driven for more than 2 weeks, maintaining the battery with the Battery MINDer® 2012 - AGM charger (PN 2830438) is recommended.

Always use the recommended automatic battery charger, and wait for the charger to complete the charge cycle before disconnecting it.

### AGM BATTERY MAINTENANCE TIPS

To help prolong battery life, it is recommended to remove the battery from vehicles stored TWO month or longer. To maximize the life of stored batteries, they should be kept in a cool/dry location. Batteries will self discharge more rapidly when stored in extreme heat. Batteries should be maintained using the recommended battery charger while in storage.

Batteries which are not connected to a vehicle should be charged every 2 months.

Batteries will self-discharge more quickly when dirty. Periodic cleaning of the battery terminals using a terminal brush will help maximize battery life. Wash terminals with a solution of one tablespoon baking soda and one cup water. Rinse well with tap water and dry off with clean shop towels. Coat the terminals with dielectric grease or petroleum jelly.

Battery connections should be tightened to the correct torque during installation. See . This will reduce voltage drop and ensure a reliable connection between the regulator/rectifier and battery.

### KEY FOB BATTERY LIFE



Keep the key fob and key fob battery out of reach of children. Swallowing can lead to chemical burns, perforation of soft tissue, and death. Severe burns can occur within 2 hours of ingestion. Seek medical attention immediately.

Key fob battery life is approximately 2 years. Battery changes recommended yearly. Multi-Function (Two Button) Key Fob battery life will decrease with frequent use of the LOCK / UNLOCK buttons.

Low Battery Indicators:

- Decreased fob authentication range
- Horn honks 5 seconds after startup
- Security light stays illuminated for up to 20 seconds
- Both Battery Light and Security Light are illuminated

Key Fob performance can be affected by the following conditions:

- Close proximity of ferrous materials (e.g. money clip or pocket knife)
- Key Fob stuck to saddlebag speaker magnet
- Key Fob held in ferrous container (metal cup holder or glasses case)
- Cold temperatures (Key Fob should be kept above 45 °F (7 °C))



To replace the key fob battery, do the following:

1. Remove the courtesy key by pushing the button on the back of the fob.
2. Pry the back door off of the fob to access the battery.
3. Replace with new battery.

**NOTICE**

Key Fob Replacement Battery Part Number: 4014675 or CR2032

**FOB BATTERY DISPOSAL**

For disposal, FOB's should not be mixed with general household waste. For proper treatment, recovery and recycling, please take the FOB to designated collection points where it will be accepted free of charge. Disposal of the FOB correctly will help save valuable resources and prevent any potential negative effects on human health and the environment. Please contact your local authority for further details of your nearest designated collection point. Penalties may be applicable for incorrect disposal of this waste, in accordance with your national legislation.



**FUSE REPLACEMENT**

**NOTICE**

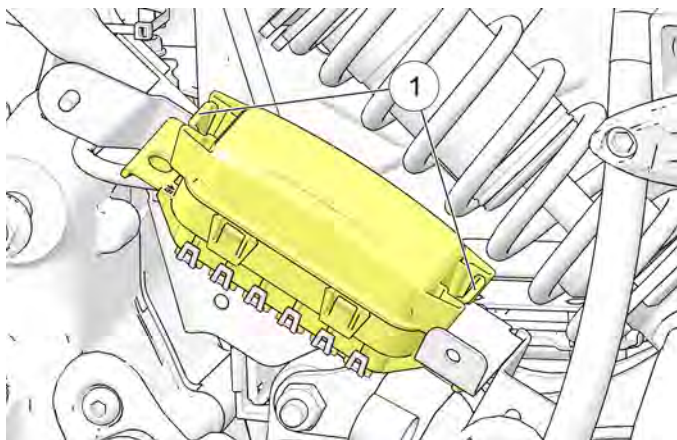
Use fuses with the recommended amperage to avoid damage to the electrical system.

**STANDARD FUSES**

The standard fuse box is located under the left side cover. This fuse box houses all standard service fuses and the automatic circuit breakers. Fuse application and size are provided on a label on the fuse box cover.

**TIP**

Use the fuse puller provided in the tool kit to remove a fuse.



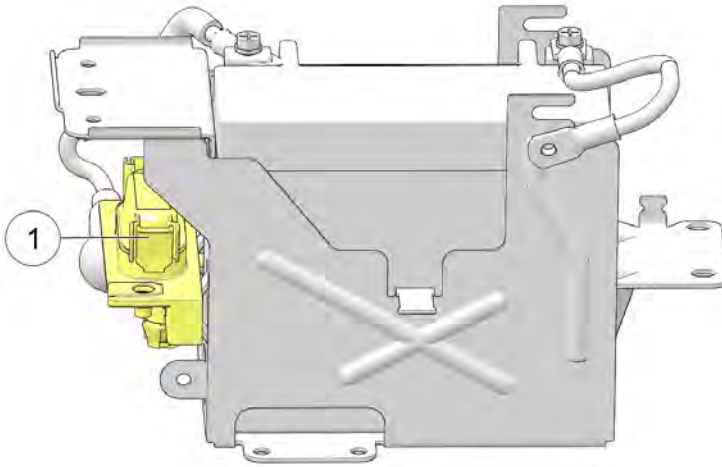
1. Remove the left side cover. See page 141.
2. To release the locking tabs, squeeze the upper and lower cover clips ① and remove the fuse box cover.
3. After replacing a fuse, reinstall the fuse box cover and side cover.

### HIGH-CURRENT FUSES

The JCASE® fuse box ① contains the high-current fuses for the chassis, vehicle control module and anti-lock brake system. This fuse box is located next to the battery box.

Fuse application and size are provided on a label on the fuse box cover.

MAIN ENGINE RELAY	START RELAY	AUX SW POWER RELAY	FUEL PUMP RELAY	SEC ENGINE RELAY	SWITCHED PWR RLY
20A MAIN ENG		20A AUX SWITCHED		10A SEC ENGINE	10A SW PWR
7.5A IGNITION COIL	10A VCM CONTROL	15A AUX CONST	5A GAUGE	25A FRONT AMP	25A REAR AMP



- If it is necessary to provide power to an item that does not use one of the previously mentioned power jacks, connect to the load side of the main circuit breaker and connect the ground wire to the engine ground at the front left side of the crankcase (near the circuit breaker). On DARK HORSE models the circuit breaker is located under the cover next to the oil filter adapter. On all other models it's located under the cover behind the oil cooler.
- DO NOT splice or cut any wires.
- DO NOT tap in to any power or ground on the motorcycle unless specifically directed to do so by the INDIAN MOTORCYCLE instructions that come with the kit.
- DO NOT back-probe electrical connectors on the vehicle unless directed to do so by the *INDIAN MOTORCYCLE Service Manual*.
- DO NOT power any accessories from the diagnostic connector (under left side cover).

## ELECTRICAL PRECAUTIONS

Be aware of the following precautions regarding the electrical system to avoid disruption of electrical signals and possible system malfunction.

- DO use ONLY genuine INDIAN MOTORCYCLE parts and accessories designed for your model, and follow the instructions provided.
- DO use the accessory power jack provided (if equipped).

## UNLOCKING THE SECURITY SYSTEM

Your dealer will provide the master personal identification number (PIN) for the security system. Your dealer may also change the master PIN to a new rider PIN on your behalf.

Record both PINs on page 7.

Change the dealer-provided PIN to a PIN of your own choosing as soon as possible after receiving delivery of your new motorcycle. See page 154.

If a key fob is not available, your rider PIN can be entered using the turn signal switches to unlock the security system. Use the following guide to enter your valid rider PIN.

## MAINTENANCE

DIGIT TO ENTER	TURN SIGNAL FEATURE USED	PROCEDURE
The number "0"	CANCEL switch	Press and release
First digit (1-9)	LEFT turn switch	Move and release once per digit value. See example below.
Second digit (1-9)	RIGHT turn switch	
Third digit (1-9)	LEFT turn switch	
Fourth digit (1-9)	RIGHT turn switch	
<b>Example for entering the number 1024:</b> LEFT - CANCEL - LEFT - LEFT - RIGHT - RIGHT - RIGHT - RIGHT		

### CHANGING YOUR SECURITY SYSTEM PIN

To change your PIN, you must have either the key fob or your existing valid PIN available to gain access to the security system. If the key fob is not detected or is not available and you cannot remember your PIN, please see your INDIAN MOTORCYCLE dealer.

Please read the entire procedure before beginning.

1. Turn the power switch on. Do NOT start the engine. The security light and/or power switch will turn on briefly until the key fob is detected or until the valid, current PIN is entered.
2. Push or hold the turn signal CANCEL switch for 10 seconds until the security light and/or power switch turn on.

#### NOTICE

On models with Infotainment Display, a pop-up window will appear during this procedure stating that the key fob is out of range.

3. Enter either the master PIN (see page 7) or your current 4-digit rider PIN within 20 seconds. If the PIN is successfully entered, the security light and/or power switch will remain on and the horn will sound briefly.

#### NOTICE

If the valid PIN is not entered within 20 seconds, the security light and/or power switch will flash for 10 seconds, then the system will shut down. Return to step 1 to try again.

4. Enter a new 4-digit security PIN of your own choosing. If the PIN is successfully entered, the security light will remain on and the horn will sound briefly. Proceed to step 5.

**NOTICE**

If the 4-digit PIN is NOT successfully entered within 20 seconds, the security light will flash for 10 seconds, then the system exits the procedure. Return to step 1 to try again.

5. Re-enter the new 4-digit PIN. If this entry matches the first entry, the security light will turn off and the horn will sound briefly. The new rider PIN has been saved. *Record your new rider PIN on page 7.*

**NOTICE**

If the second entry is not entered within 20 seconds or does not match the first entry, the security light will flash for 10 seconds, then the system exits the procedure. The new PIN was NOT saved. Continue to use your former valid PIN. Return to step 1 to try again.

## ENGINE COMPRESSION TEST

An engine compression test can be performed to monitor general engine condition. See the *INDIAN MOTORCYCLE Service Manual* or an authorized INDIAN MOTORCYCLE dealer can assist.

## EXHAUST SYSTEM INSPECTION

Check the exhaust system for stains from leaking exhaust gasses. Replace damaged or leaking exhaust gaskets. Check all exhaust system fasteners. Tighten loose clamps and fasteners. Do not overtighten. See the *INDIAN MOTORCYCLE Service Manual* or an authorized INDIAN MOTORCYCLE dealer can assist.

## ELEVATING THE MOTORCYCLE



**WARNING**

Serious injury or death can occur if the motorcycle tips or falls. Make sure the motorcycle will not tip or fall while elevated or while on the sidestand.

Some procedures require raising the motorcycle to remove weight from the component being inspected. Elevate the motorcycle by placing a stable, flat platform jack or lift mechanism on a firm, flat surface and lifting under the engine crankcase. The platform should be a minimum of 12 in (30 cm) square. DO NOT attempt to lift the motorcycle without proper equipment. Always secure the motorcycle properly before lifting so it cannot tip or fall when elevated.

## ROAD TEST

Before returning the motorcycle to regular use, perform a road test in a safe area. Pay special attention to the proper fit and operation of all serviced components.

Make any corrections or additional adjustments promptly to ensure safe, reliable and enjoyable vehicle performance.

## MAINTENANCE

### FASTENER INSPECTION

1. Inspect the entire motorcycle chassis and engine for loose, damaged or missing fasteners. Tighten loose fasteners to the proper torque. See the *INDIAN MOTORCYCLE Service Manual* or an authorized INDIAN MOTORCYCLE dealer can assist.
2. Always replace stripped, damaged or broken fasteners before riding. Use genuine INDIAN MOTORCYCLE fasteners of equal size and strength.

### FASTENER TORQUES

Some procedures and fastener torques are not listed in this manual. See the *INDIAN MOTORCYCLE Service Manual* or an authorized INDIAN MOTORCYCLE dealer can assist.

### TROUBLESHOOTING

For your personal safety, do not attempt inspection or repairs not fully described in this rider's manual. Contact an authorized dealer for service if you cannot determine the cause of a problem or if the inspection/repair exceeds your mechanical ability or tool resources. Do not perform any inspection or repair with the engine running.

### ENGINE CRANKS BUT WILL NOT START

POSSIBLE CAUSE	POSSIBLE REMEDY/ACTION
Low Fuel	Verify fuel level.
Fuel Pump Inoperative	Turn engine STOP switch to RUN. Turn the power switch on. The fuel pump should run momentarily and then stop. Check the fuel pump/ignition circuit breaker.
Battery Voltage Too Low	Fully charge the battery.
Spark Plug(s) Fouled	Inspect spark plugs.
Spark Plug Wire(s) Disconnected or Loose	Be sure spark plug wires are securely fastened.
Low Compression	Please see your dealer for an engine compression test.

### STARTER MOTOR CLICKS, DOES NOT TURN OR TURNS SLOWLY

POSSIBLE CAUSE	POSSIBLE REMEDY/ACTION
Engine Stop/Run Switch in Stop Position	Place switch in RUN position.
Battery Discharged	Fully charge the battery.
Battery Cables Loose or Corroded	Inspect battery cables.
Transmission In Gear	Shift transmission into neutral or pull the clutch lever in to disengage the clutch.

POSSIBLE CAUSE	POSSIBLE REMEDY/ACTION
Key Fob Not Authenticated	Make sure key fob is within range and that key fob battery voltage is not low.
Sidestand is Down With Transmission in Gear	Shift to neutral or retract the sidestand fully.

## ENGINE STARTS BUT MISSES OR RUNS POORLY

**NOTICE**

Turn engine OFF before inspecting any of these items.

POSSIBLE CAUSE	POSSIBLE REMEDY/ACTION
Battery Discharged	Fully charge the battery.
Battery Cables Loose or Corroded	Inspect battery cables and connections.
Spark Plug(s) Fouled	Inspect spark plugs.
Spark Plug Wire(s) Loose or Wet	Inspect spark plug wires, ensure dry/secure.
Contaminated Fuel	Inspect fuel for water/contamination. Please see your dealer.
Engine Oil Level Incorrect Or Wrong Type	Inspect level and quality of oil.
Loose, Broken, Shorted Ignition Coil Wires	Inspect coil primary wires. Please see your dealer.
Air Intake Restricted	Inspect air filter.
Intake Leaks	Inspect air box, throttle body and intake boot joints.

## SHIFTING DIFFICULTIES OR HARD TO FIND NEUTRAL

POSSIBLE CAUSE	POSSIBLE REMEDY/ACTION
Shift Linkage Bushings Dry Or Worn	Lubricate shift linkage.
Clutch Damage	Replace clutch.
Clutch Cable Not Adjusted Properly	Please see your dealer for inspection and adjustment.
Shift Linkage Not Adjusted Properly	Please see your dealer for inspection and adjustment.

## BATTERY CHARGING RATE LOW OR BATTERY DISCHARGES

POSSIBLE CAUSE	POSSIBLE REMEDY/ACTION
Loose/Corroded Charging Circuit Connection	Check/clean battery cable connections. Check/clean charging circuit connections. Please see your dealer.
Accessory Load Exceeds Charge Rate	Limit accessory operation when the engine is off.
Improperly Wired Accessory (Current Draw)	Please see your dealer to check charging system output and current draw.

## BRAKE NOISE/POOR BRAKE PERFORMANCE

**NOTICE**

See your dealer if brake performance does not return after these inspections.

## MAINTENANCE

---

<b>POSSIBLE CAUSE</b>	<b>POSSIBLE REMEDY/ACTION</b>
Dust/Dirt On Brake Disc(s)	Clean disc.
Worn Pads Or Disc/Brake Disc Damage	Inspect pads.
Brake Fluid Level Low Or Fluid Contaminated	Inspect fluid level/fluid condition.

## **ANTI-LOCK BRAKE LIGHT REMAINS ILLUMINATED OR ILLUMINATES INTERMITTENTLY**

<b>POSSIBLE CAUSE</b>	<b>POSSIBLE REMEDY/ACTION</b>
Blown fuse	Check the fuses. See page 151.
Loose or damaged pulse ring	Inspect pulse ring for looseness or chipped teeth.
Debris lodged in components	Inspect wheel speed sensor and pulse ring for debris.
Damage caused by debris	Inspect wheel speed sensor for cracked housing.
Damaged components	See service manual or authorized dealer.



## CLEANING AND STORAGE

### CLEANING PRODUCTS

This section provides tips on the very best way to clean, polish and preserve every surface of your beautiful new INDIAN MOTORCYCLE. We recommend the use of our new INDIAN MOTORCYCLE cleaning and polishing products and accessories, which have been specially designed to offer the best care possible for your INDIAN MOTORCYCLE.

In addition to the products recommended in this section for cleaning and polishing, INDIAN MOTORCYCLE also has specialty products for:

- enhancing black and silver engines
- cleaning engines, tires and wheels
- removing brake dust

After cleaning the motorcycle, inspect for damage to the painted surfaces. Chips or scratches should be repaired promptly to prevent corrosion.

For Matte Clear Coat Finish Care, see the *Matte Clear Coat Finish Care* section for details.

For Gloss Clear Coat Finish Care, see the *Gloss Clear Coat Finish Care* section for details.

For more information, or for answers to your cleaning and detailing questions, please see your INDIAN MOTORCYCLE dealer.

## WASHING THE MOTORCYCLE

### NOTICE

Do not use pressurized water to wash the motorcycle. Water may seep in and deteriorate wheel bearings, brake caliper assemblies, brake master cylinders, electrical connectors, steering head bearings, and transmission seals. Do not direct any water stream at air intakes, exhaust outlets, electrical connectors or audio system speakers. Electrical components may be damaged by water. Do not allow water to contact electrical components or connectors.

1. Before washing, make sure exhaust pipes are cool. Cover each pipe opening with a plastic bag secured with a strong rubber band. Check that the spark plugs, spark plug wire caps, oil fill cap and fuel caps are properly seated.
2. Do not use abrasive cleaners.
3. Rinse off as much dirt and mud as possible with water running at low pressure. Use as little water as possible when washing near the air intake or the exhaust pipe openings. Dry these components thoroughly before using the motorcycle.
4. Clean the front fork tubes thoroughly to reduce fork seal wear and leakage.

## CLEANING AND STORAGE

---

5. After washing, remove the rubber bands and plastic bags from the exhaust pipes. Start the engine and let it idle for a few minutes.
6. Make sure the brakes are functioning properly before riding.

### WINDSHIELD CARE (IF EQUIPPED)

Clean the windshield with a soft cloth and plenty of warm water. Dry with a soft clean cloth. Remove minor scratches with a high-quality polishing compound designed for use on polycarbonate surfaces.

#### NOTICE

Brake fluid and alcohol will permanently damage the windshield. Do not use glass cleaners, water or soil repellents, and petroleum or alcohol based cleaners on the windshield, as these products can damage the windshield.

### MATTE CLEAR COAT FINISH CARE

Matte finish products are prone to trapping dirt, oils and other contaminants. Always clean this type of finish with warm water and a mild dish-washing detergent. Use a soft sponge to gently rub the surface, then rinse with clean warm water. For stubborn stains such as grease or oil, use a citrus-based cleaner. Spray the cleaner onto the area and rub gently with a soft sponge. Allow the cleaner to sit for a couple of minutes, then rinse well with clean warm water. Repeat as needed.

#### NOTICE

Never use a polishing/buffing wax or any sponge that has an abrasive surface when cleaning a matte finish. These products will buff the matte surface of the finish and result in a glossy finish. Never clean matte finishes with a pressure washer, as this will further imbed contaminants into the clear coat and may damage labels and decals.

### GLOSS CLEAR COAT FINISH CARE

The clear coat finish system used on all INDIAN MOTORCYCLE provides superior protection against the elements. To maximize the benefits of this system, use the following guide to care for the gloss finish on your motorcycle.

- During the first 30 days, when the finish is still fresh, clean the motorcycle with a water rinse only.
- Do not wax the motorcycle for the first 60 days. Doing so can cause loss of the gloss. After 60 days, use only waxes designed for new clear coat finishes.
- Do not use pressurized water to wash the motorcycle. When paint is still fresh, pressurized water could damage the finish. If using a pressure washer is unavoidable, keep the spray nozzle at least 24 inches (60 cm) away from the surface of the motorcycle.
- Wash your motorcycle often, especially when exposed to salty, dusty, acidic or alkaline environments.
- Use warm or cool water and a soft cloth for cleaning.
- Use soaps that are non-abrasive and have a neutral pH (non acidic/non alkaline detergents).

- Do not use solvent-based solutions.
- Do not use a dry cloth to remove dust.
- Do not use a stiff bristle brush, which can scratch the surface.
- Do not wash with extremely hot water.
- Do not wash the motorcycle while the surface is hot and avoid washing the motorcycle in the hot sun. Minerals in the water may be difficult to remove once dried on the surface of the motorcycle.
- Do not allow spilled gasoline, motor oil or brake fluid to stand on the paint. Remove these substances immediately by rinsing with water. Use a soft cloth to absorb any remaining residue and dab dry.
- To remove bug remnants or road tar, use only products that are specifically designed for this purpose. Follow the product manufacturer's recommendations to prevent potential damage to the finish. Follow with a wash using the methods described in this section.
- Always brush away any ice or snow, do not scrape off.
- Chips or scratches should be repaired promptly to prevent corrosion.

### **INFOTAINMENT TOUCHSCREEN CARE**

We recommend using a gentle detergent and water to clean your touchscreen. Wash and dry with a lint free cloth.

- Do not expose to brake fluid.
- Do not expose to gasoline.
- Do not expose to DEET.

### **LEATHER CARE**

#### **LEATHER FACTS**

Leather is a natural product and will exhibit qualities inherent in a natural material. Fading, wrinkles, grain changes, creases and small marks are assurance that this material is not man-made. As the product is used, each leather product will exhibit tarnish from use. Regular care will help keep premium leather products looking their best.

#### ***EXPOSURE TO SUN***

There are many environmental elements that will contribute to the aging of leather products. Regular exposure to the sun, along with heat from the sun and exhaust system or engine components, may rapidly fade the leather. Heat from the sun will dry the leather, potentially causing it to crack. Periodic application of the INDIAN MOTORCYCLE Leather Care Dressing Kit will replace the oils, maintaining the leather's natural surface. Periodic use of the Leather Care Dressing Kit will help restore and maintain the oil-tanned color and finish to help keep it looking its best.

#### ***EXPOSURE TO MOISTURE***

If leather is exposed to moisture, wipe down the leather products and allow them to dry naturally at room temperature. Do not attempt to accelerate the drying process by using heat. Heating the leather will remove the natural oils and cause it to dry out and crack. Whenever possible, take steps to protect the leather from exposure to moisture.

### NOTICE

The leather used on INDIAN motorcycles is an all-natural product; exposure to moisture will result in structural changes to the material, causing permanent damage. Regular usage of INDIAN MOTORCYCLE Leather Care Dressing will help prevent this type of damage.

### EXPOSURE TO DIRT/DUST

Leather items on motorcycles can get extremely dirty with normal use. It is acceptable to wipe down leather products with a sponge and clean water, especially after a long ride. If extremely dirty, use a small amount of mild soap in the water and follow with a clean water rinse.

### LEATHER CARE DRESSING

INDIAN MOTORCYCLE Leather Care Dressing is a leather conditioner formulated to restore many of the oils that are lost from leather due to exposure to environmental elements. This conditioner is suitable for all oil-tanned leather on your INDIAN motorcycle, but it should never be used on suede.

This leather care dressing will also restore some of the color lost through natural aging and now includes UV protection. The rate of aging depends on how often the motorcycle is used, how it is stored, and weather conditions. While visible signs of aging are more noticeable on natural leather, lack of care may cause non-warrantable damage to both natural and black leather.

### LEATHER CARE DRESSING APPLICATION

Apply Leather Care Dressing as part of a regular maintenance regime, such as polishing chrome and washing painted surfaces. Apply this treatment at least one time per month. Apply more often if the motorcycle is regularly exposed to the elements or parked in the sun.

1. Wipe down leather with a sponge and clean water.
2. Wipe down leather with a dry towel and allow it dry at room temperature. Do not use heat to accelerate drying time.
3. With a clean cloth, lightly rub the dressing into the leather and wipe off any excess. Be cautious not to allow droplets or globs of the treatment to sit on an area of the leather as that area will darken. For better results, use a straight wiping motion rather than a tight swirling motion. Lighter areas may need more treatment applied to darken them.
4. Allow the treatment to dry before riding (typically one hour).

### FREQUENTLY ASKED QUESTIONS

#### Q. CAN I USE SHOE POLISH TO RESTORE LEATHER COLOR?

A. Shoe polish should not be used on the leather items on your INDIAN motorcycle. Shoe polish contains a dye that can damage the leather and may leave residue on clothing.

**Q. WHAT SHOULD I USE TO TREAT THE BLACK LEATHER THAT CAME ON MY INDIAN MOTORCYCLE?**

A. INDIAN MOTORCYCLE Leather Care Dressing is suitable for all oil-tanned leather on your INDIAN motorcycle. Black leather uses a different tanning process and may not require application of the dressing as often.

**Q. WHAT SHOULD I USE ON MY LEATHER ACCESSORIES?**

A. INDIAN MOTORCYCLE Leather Care Dressing is suitable for all oil-tanned leather on your INDIAN motorcycle, including accessories.

**Q. WHERE CAN I PURCHASE A TAN LEATHER RESTORE KIT OR THE INDIAN MOTORCYCLE LEATHER CARE DRESSING?**

A. Please see your authorized INDIAN MOTORCYCLE dealer for these products and for all of your motorcycle care needs.

**Q. CAN I USE THE LEATHER CARE DRESSING AFTER USING THE TAN LEATHER RESTORE KIT?**

A. Yes. The leather care dressing should be applied at least once per month (more often in extreme conditions) to maintain the desired finish. Apply leather care dressing as part of a regular exterior maintenance plan (e.g. polishing chrome and washing painted surfaces).

**Q. HOW MANY APPLICATIONS CAN I GET OUT OF ONE TAN LEATHER RESTORE KIT?**

A. Each kit contains enough product for two applications.

**STORAGE AREA PREPARATION**

If you will not operate the motorcycle for more than 60 days, store the motorcycle to prevent damage to the fuel system and the battery and to protect components from corrosion or deterioration. During storage preparation you might use products that are potentially hazardous; such as fuel stabilizer. When using any of these products, follow the instructions and warnings on the product packaging.

Choose a dry, well-ventilated storage location, inside a garage or other structure if possible. The location should have a firm, flat surface and allow enough space for the motorcycle.

** WARNING**

Gasoline is highly flammable and explosive under certain conditions. Do not store the motorcycle in any area (in home or garage) where it could be near open flames, pilot lights, sparks or electric motors. Do not smoke in the storage area.

To best preserve tire condition:

## CLEANING AND STORAGE

---

- The storage area should have a relatively constant and moderate temperature.
- The storage surface should be free of oil and gasoline.
- The motorcycle should not be near a radiator or other heat source, or any type of electric motor.

### CLEAN AND PROTECT THE MOTORCYCLE

To prepare the motorcycle for storage, begin by cleaning and polishing the motorcycle as outlined beginning on page 159. Polish chromed and other metal surfaces. Apply protectant to exposed rubber, vinyl and plastic parts. *Do not apply rubber protectant to the tire tread surfaces.*

### FUEL STABILIZER

Add fresh fuel to fill the fuel tank and add fuel stabilizer. Do not overfill.

Ride the motorcycle or start and run the engine for 15 minutes in a well ventilated area to distribute the stabilizer throughout the fuel system.

### TIRE INFLATION

Inflate the tires to normal pressure. See page 136.

### ENGINE PROTECTION

Change the engine oil.

### BATTERY CARE

1. Remove the battery. See page 146.
2. Clean the battery terminals first with a wire brush to remove any loose deposits.
3. Wash the posts and the ends of the battery cables with a solution of one part baking soda to 16 parts water. Rinse with clean water and wipe dry.
4. Apply a thin film of dielectric grease to the posts and cable connectors.
5. Clean the outside of the battery with a solution of mild detergent and warm water.
6. Store the battery in a dry area with a temperature of 32° to 90° F (0° to 32° C).
7. While in storage, fully charge the battery once a month. See page 149.

### MAINTENANCE DURING STORAGE

During extended storage periods, maintain tire pressure and battery voltage at the recommended levels.

## RODENTS

Mice and other rodents are often the worst enemy of a stored motorcycle. If the motorcycle will be stored in an area where mice are a concern (particularly in rural areas, barns, sheds, etc.) be sure to take extra measures to deter their infestation. This may include placing a screen mesh over any intake or exhaust openings (remember to remove them when you remove the motorcycle from storage).

## PARK AND COVER THE MOTORCYCLE

1. Park the motorcycle in its storage location. Block the frame to take some of the weight off the front and rear wheels.

### NOTICE

Starting the motorcycle periodically during storage is NOT recommended. Water vapor is a by-product of the combustion process, and corrosion may result unless the engine is operated long enough to bring the oil and exhaust system to normal operating temperature.

2. Secure a plastic bag over the (cooled) exhaust outlets to prevent moisture from entering the exhaust system.
3. Cover the motorcycle with a cover made from a durable, breathable material designed for storage. Covering the motorcycle helps protect it from dust and other airborne materials. The cover must be of a breathable material to prevent moisture from building up on the motorcycle which can cause oxidation of metal surfaces.

## REMOVAL FROM STORAGE

1. Install a fully charged battery.
2. Check the oil level. If the motorcycle was stored in an area subject to wide swings in temperature and humidity (such as outdoors), change the engine oil before starting the engine.

### NOTICE

During storage, temperature and humidity changes can cause condensation to form in the crankcase and mix with engine oil. Running the engine with oil that contains condensation can cause engine damage.

3. Inspect the storage area for signs of fluid leaks. Identify and perform service to any leaking components.
4. Remove any intake or exhaust mesh covers installed for rodent protection.
5. Install new spark plugs if necessary.
6. Perform the pre-ride inspections outlined in this manual.
7. Perform a road test. See page 155.
8. Wash and polish the motorcycle. Wax, polish or apply protectant to appropriate components.





**SPECIFICATIONS**  
**DIMENSIONS**

Dimensions and specifications may vary with features, options and accessories.

	<b>INDIAN SPRINGFIELD MODELS</b>	<b>CHIEFTAIN MODELS</b>	<b>ROADMASTER MODELS</b>
Overall Length	101.7 in. (2583 mm) 99.3 in. (2522 mm) (Dark Horse)	98.7 in. (2506 mm)	104.6 in. (2656 mm) 102.1 in. (2593 mm) (Dark Horse/Limited)
Overall Width	42.5 in. (1080 mm) 38.3 in. (972 mm) (Dark Horse)	40.3 in. (1023 mm)	40.3 in. (1023 mm)
Overall Height	47.5 in. (1205 mm) 51.2 in. (1300 mm) (Dark Horse)	48 in. (1219 mm)	48.3 in. (1226 mm)
Seat Height	28.5 in. (724 mm) 28 in. (711 mm) (Dark Horse)	27.5 in. (699 mm) 28 in. (711 mm) (Limited, Dark Horse)	30 in. (762 mm) 29 in. (737 mm) (Limited, Dark Horse)
Wheelbase	67 in (1701 mm)	65.7 in. (1668 mm)	65.7 in. (1668 mm)
Ground Clearance	5.6 in. (142 mm) 5.1 in. (130 mm) (Dark Horse)	5.1 in. (130 mm)	5.5 in. (140 mm)
Rake (frame)/Trail	25°/5.2 in. (133 mm)	25°/5.9 in. (150 mm)	25°/5.9 in. (150 mm)

## SPECIFICATIONS

---

### WEIGHT

	<b>INDIAN SPRINGFIELD MODELS</b>	<b>CHIEFTAIN MODELS</b>	<b>ROADMASTER MODELS</b>
Dry Weight (without fuel/fluids)	798 lbs (362 kg) 753 lbs. (342 kg) (Dark Horse)	785 lbs (356 kg) 789 lbs (358 kg) (Limited and Dark Horse)	891 lbs. (404 kg) 864 lbs (392 kg) (Dark Horse/Limited)
Wet Weight (with fuel/fluids)	827 lbs (375 kg) 776 lbs. (352 kg) (Dark Horse)	811 lbs (368 kg) 820 lbs (372 kg) (Limited and Dark Horse)	919 lbs. (417 kg) 893 lbs (405 kg) (Dark Horse/Limited)
Gross Vehicle Weight Rating (GVWR)	1385 lbs. (628 kg)	1385 lbs (628 kg)	1385 lbs. (628 kg)
Gross Axle Weight Rating (GAWR)	Front 500 lbs. (227 kg) Rear 884 lbs. (401 kg)	Front: 500 lbs (227 kg) Rear: 884 lbs (401 kg)	Front 500 lbs. (227 kg) Rear 884 lbs. (401 kg)
Maximum Load Capacity (riders, cargo, accessories)	558 lbs (253 kg) 609 lbs. (276 kg) (Dark Horse)	574 lbs (260 kg) 565 lbs (256 kg) (Limited and Dark Horse)	466 lbs. (211 kg) 492 lbs (223 kg) (Dark Horse/Limited)

**CAPACITIES**

	ALL MODELS
Engine Oil	6 qts. (5.7 l) with filter at oil change
Fuel	5.5 gal. (20.8 l)
Fuel Reserve (fuel light on)	1.0 gal. (3.8 l)
Fork Oil	18.8 oz. (557 cc)

**ENGINE**

**THUNDER STROKE 111**

	THUNDER STROKE 111
Engine Type	Thunder Stroke 111, Air Cooled
Configuration	V-Twin
Displacement	111 cu. in. (1811 cc)
Cooling System	Air Cooled (Cruiser Models) Air/Oil Cooler (Bagger/Tour Models)
Compression Ratio	9.5:1
Valve Train	2 Valves Per Cylinder, Hydraulic Lifters
Bore and Stroke	3.976" x 4.449" (101mm x 113mm)
Fuel System/Throttle Body Bore	Closed Loop Fuel Injection/54 mm
Exhaust System	1 into 2 with Catalytic Converter Split Dual Exhaust with Cross-over
Rev Limit	5400 RPM
Idle RPM	800 +/- 50 RPM Fully Warm

	THUNDER STROKE 111
Lubrication System	Semi-Dry Sump
Spark Plug/Gap	NGK® DCPR8E/.034 inch (0.90 mm)

**THUNDER STROKE 116**

	THUNDER STROKE 116
Engine Type	Thunder Stroke 116, Air Cooled
Configuration	V-Twin
Displacement	115 cu. in. (1890 cc)
Cooling System	Air Cooled (Cruiser Models) Air/Oil Cooler (Bagger/Tour Models)
Compression Ratio	11.0:1
Valve Train	2 Valves Per Cylinder, Hydraulic Lifters
Bore and Stroke	4.063" x 4.449" (103.2 mm x 113 mm)
Fuel System/Throttle Body Bore	Closed Loop Fuel Injection/54 mm
Exhaust System	1 into 2 with Catalytic Converter Split Dual Exhaust with Cross-over
Rev Limit	5700 RPM

## SPECIFICATIONS

---

	<b>THUNDER STROKE 116</b>
Idle RPM	900 +/- 50 RPM Fully Warm
Lubrication System	Semi-Dry Sump
Spark Plug/Gap	NGK® DCPR8E/.034 inch (0.90 mm)

**DRIVE SYSTEM**

	<b>ALL MODELS</b>
Primary Drive	Gear Drive Wet Clutch
Crank Gear	55 Teeth
Clutch Gear	86 Teeth
Clutch Type	Wet, Multi-Plate. Assist
Primary Reduction Ratio	1.564:1
Transmission Type	6 Speed/Constant Mesh/Foot Shift
1st Gear Ratio	2.733:1
2nd Gear Ratio	1.864:1
3rd Gear Ratio	1.385:1
4th Gear Ratio	1.103:1
5th Gear Ratio	0.943:1
6th Gear Ratio	0.811:1
Gear Shift Pattern	1 Down/5 Up
Final Drive Type	Belt Drive, 152-Tooth
Transmission	30-Tooth
Rear Wheel	66-Tooth
Ratio	2.2:1
Overall Gear Ratio	
1st Gear	9.403:1
2nd Gear	6.411:1
3rd Gear	4.763:1
4th Gear	3.796:1
5th Gear	3.243:1
6th Gear	2.789:1

## SPECIFICATIONS

### CHASSIS

	ALL MODELS
Front Suspension Type/Travel	Telescopic Fork/4.7 in. (119 mm)
Front Fork Tube Diameter	46 mm
Rear Suspension Type/Travel	Single Shock w/ Air Adjust/4.5 in. (114mm)
Swing-arm	Cast Aluminum
Front Brakes	Dual/4 Piston Caliper/Floating Rotor
Rear Brakes	Single/2 Piston Caliper/Floating Rotor

### WHEELS AND TIRES

	INDIAN SPRINGFIELD MODELS	CHIEFTAIN MODELS	ROADMASTER MODELS
Front Wheel Size/Type	3.5 in. x 17 in. Cast Aluminum 3.5 in. x 19 in. Cast Aluminum (Dark Horse)	3.5 in. x 19 in. Cast Aluminum	3.5 in. x 17 in. Cast Aluminum 3.5 in x 19 in. Cast Aluminum (Dark Horse/Limited)
Rear Wheel Size/Type	5 in. x 16 in. Cast Aluminum	5 in. x 16 in. Cast Aluminum	5 in. x 16 in. Cast Aluminum
Front Tire Type/Size	130/80-B17 65H Metzeler® Cruisetec® 130/60-B19 66H Metzeler® Cruisetec® (Dark Horse)	130/60-B19 66H Metzeler® Cruisetec®	130/80-B17 65H Metzeler® Cruisetec® 130/60-B19 66H Metzeler® Cruisetec® (Dark Horse/Limited)
Rear Tire Type/Size	180/60-R16 80H Metzeler® Cruisetec®	180/60-R16 80H Metzeler® Cruisetec®	180/60-R16 80H Metzeler® Cruisetec®

**ELECTRICAL**

	<b>ALL MODELS</b>
Alternator	710W @ 3500 RPM
Battery	12 Volt, 18 amp/hour, 310 CCA, Sealed Glass Mat
Power Points	Front - 10 amp maximum Rear - 10 amp maximum (Combined - 10 amp maximum)
Voltage Regulator	14.4 volts/42 amp
Headlight	H4 12V 60/55W LL Chieftain Limited/Chieftain Dark Horse: Non-Serviceable LED
Auxiliary Light	Vintage/Springfield: H8 35W Roadmaster: Non-Serviceable LED
Tail/Brake Light	Non-Serviceable LED
Turn Signal	Non-Serviceable LED
License Plate	Non-Serviceable LED
Front Fender Light	Non-Serviceable LED
Speedometer	Non-Serviceable LED
Indicator Lights	Non-Serviceable LED

## SPECIFICATIONS

---

### FUEL RECOMMENDATION

For best performance, use only unleaded gasoline with a 91 pump octane minimum (R+M/2 Method) or 95 RON minimum. **DO NOT USE E-85 GASOLINE OR GASOLINE CONTAINING METHANOL.** Using E85 or gasoline/methanol blends can result in poor starting and driveability, engine damage and damage to critical fuel system components.

- *Gasoline containing up to 10% Ethanol can be used.*

In the event that the recommended premium unleaded gasoline is not available and low octane fuel must be used, fill the fuel tank only partially with unleaded regular gasoline, then fill the tank fully with premium unleaded gasoline as soon as possible.



### ENGINE OIL RECOMMENDATION

We recommend the use of INDIAN MOTORCYCLE Premium Synthetic Blend 20W-40 Engine Oil for your motorcycle. 15w60 may also be used. This oil is formulated with synthetic-based oil and premium engine additive which have physical properties that meet API SM and ILSAC GF-4 specifications.

Do not mix 20W-40 and 15W-60 engine oils. Use one oil or the other depending on the situation.

Do not blend oil additives with engine oil.

If oil must be added in an emergency and the recommended oil is not available, choose only a high-quality 20W-40 motorcycle oil. Change back to the recommended oil at the first opportunity.

#### NOTICE

Use of non-recommended lubricants can result in engine damage. Damage resulting from the use of non-recommended lubricants is not covered by warranty.

### FORK OIL

We recommend the use of INDIAN MOTORCYCLE Fork Oil for your motorcycle.

### BRAKE FLUID

We recommend the use of INDIAN MOTORCYCLE DOT 4 Brake Fluid for both brake master cylinders. *DO NOT use DOT 5 silicone fluid.*



## **WARRANTY**

### **INDIAN MOTORCYCLE WARRANTY POLICY**

#### **LIMITED WARRANTY**

INDIAN MOTORCYCLE, 2100 Highway 55, Medina, MN 55340 (INDIAN MOTORCYCLE) gives a TWO YEAR LIMITED WARRANTY on all components of your INDIAN MOTORCYCLE against defects in material or workmanship. This warranty covers parts and labor charges for repair or replacement of defective parts and begins on the date of purchase by the original retail purchaser. This warranty is transferable to another owner during the warranty period through an INDIAN MOTORCYCLE dealer, but any such transfer will not extend the original term of the warranty. The duration of this warranty may vary by international region based upon local laws and regulations.

#### **REGISTRATION**

At the time of sale, the Warranty Registration Form must be completed by your dealer and submitted to INDIAN MOTORCYCLE within ten days of purchase. Upon receipt of this registration, INDIAN MOTORCYCLE will record the registration for warranty. No verification of registration will be sent to the purchaser as the copy of the Warranty Registration Form will be your proof of warranty coverage. If you have not signed the original registration and received the customer copy, please contact your dealer immediately. **NO WARRANTY COVERAGE WILL BE ALLOWED UNLESS YOUR MOTORCYCLE IS REGISTERED WITH INDIAN MOTORCYCLE.** Initial dealer preparation and set-up of your motorcycle is very important in ensuring trouble-free operation. Purchasing a vehicle in the crate or without proper dealer set-up will void your warranty coverage.

#### **WARRANTY DISCLAIMERS FOR RIDE COMMAND AND ASSOCIATED CONNECTED SERVICES**

The Ride Command Terms & Conditions available at <https://ridecommand.indianmotorcycle.com>, including the Warranty Disclaimers therein, apply to Ride Command and associated connected services.

## WARRANTY

---

### LIMITATIONS OF WARRANTIES AND REMEDIES

This INDIAN MOTORCYCLE limited warranty excludes any failures that are not caused by a defect in material or workmanship. THIS WARRANTY DOES NOT COVER CLAIMS OF DEFECTIVE DESIGN. This warranty also does not cover acts of God, accidental damage, normal wear and tear, abuse or improper handling. This warranty also does not cover any motorcycle, component, or part that has been altered structurally, modified, neglected, improperly maintained or used for racing, competition, or purposes other than for which it was designed.

This warranty excludes damages or failures resulting from: improper lubrication; improper engine timing; improper fuel; surface imperfections caused by external stress, heat, cold or contamination; operator error or abuse; improper component alignment, tension, adjustment or altitude compensation; snow, water, dirt or other foreign substance ingestion/contamination; improper maintenance; modified components; use of aftermarket or unapproved components, accessories, or attachments; unauthorized repairs; or repairs made after the warranty period expires or by an unauthorized repair center.

This warranty excludes damages or failures caused by abuse, accident, fire, or any other cause other than a defect in materials or workmanship and provides no coverage for consumable components, general wear items, or any parts exposed to friction surfaces, stresses, environmental conditions and/or contamination for which they were not designed or not intended, including but not limited to the following items:

- Wheels and tires
- Suspension components
- Brake components
- Seat components
- Clutches and components
- Steering components
- Batteries
- Light bulbs/Sealed beam lamps
- Filters
- Lubricants
- Bushings
- Sealants
- Coolants
- Bearings
- Finished and unfinished surfaces
- Fuel Injectors/Throttle body components
- Engine components
- Drive belts
- Hydraulic components and fluids
- Circuit breakers/Fuses
- Electronic components
- Spark plugs

## **LUBRICANTS AND FLUIDS**

1. Mixing oil brands or using non-recommended oil may cause engine damage. We recommend the use of INDIAN MOTORCYCLE engine oil.
2. Damage or failure resulting from the use of non-recommended lubricants or fluids is not covered by this warranty.

This warranty provides no coverage for personal loss or expense, including mileage, transportation costs, hotels, meals, shipping or handling fees, motorcycle pick-up or delivery, replacement rentals, loss of vehicle use, loss of profits, or loss of vacation or personal time.

The exclusive remedy for breach of this warranty shall be, at INDIAN MOTORCYCLE's option, repair or replacement of any defective materials, components, or products. THE REMEDIES SET FORTH IN THIS WARRANTY ARE THE ONLY REMEDIES AVAILABLE TO ANY PERSON FOR BREACH OF THIS WARRANTY. INDIAN MOTORCYCLE SHALL HAVE NO LIABILITY TO ANY PERSON FOR INCIDENTAL, CONSEQUENTIAL OR SPECIAL DAMAGES OF ANY DESCRIPTION, WHETHER ARISING OUT OF EXPRESS OR IMPLIED WARRANTY OR ANY OTHER CONTRACT, NEGLIGENCE, OR OTHER TORT OR OTHERWISE. THIS EXCLUSION OF CONSEQUENTIAL, INCIDENTAL, AND SPECIAL DAMAGES IS INDEPENDENT FROM AND SHALL SURVIVE ANY FINDING THAT THE EXCLUSIVE REMEDY FAILED OF ITS ESSENTIAL PURPOSE.

THE IMPLIED WARRANTY OF FITNESS FOR A PARTICULAR PURPOSE IS EXCLUDED FROM THIS LIMITED WARRANTY. ALL OTHER IMPLIED WARRANTIES (INCLUDING BUT NOT LIMITED TO THE IMPLIED WARRANTY OF MERCHANTABILITY) ARE LIMITED IN DURATION TO THE ABOVE TWO YEAR WARRANTY PERIOD. INDIAN MOTORCYCLE DISCLAIMS ALL EXPRESS WARRANTIES NOT STATED IN THIS WARRANTY. SOME STATES DO NOT PERMIT THE EXCLUSION OR LIMITATION OF INCIDENTAL OR CONSEQUENTIAL DAMAGES OR ALLOW LIMITATIONS ON THE DURATION OF IMPLIED WARRANTIES, SO THE ABOVE LIMITATIONS MAY NOT APPLY TO YOU IF INCONSISTENT WITH CONTROLLING STATE LAW.

## **HOW TO OBTAIN WARRANTY SERVICE**

If your motorcycle requires warranty service, you must take it to an INDIAN MOTORCYCLE Servicing Dealer. When requesting warranty service you must present your copy of the Warranty Registration Form to the dealer. (THE COST OF TRANSPORTATION TO AND FROM THE DEALER IS YOUR RESPONSIBILITY). INDIAN MOTORCYCLE suggests that you use your original selling dealer; however, you may use any INDIAN MOTORCYCLE Servicing Dealer to perform warranty service.

## WARRANTY

---

### ***IN THE COUNTRY WHERE YOUR MOTORCYCLE WAS PURCHASED:***

Warranty or Service Bulletin repairs must be done by an authorized INDIAN MOTORCYCLE dealer. If you move or are traveling within the country where your motorcycle was purchased, Warranty and Service Bulletin repairs may be requested from any authorized INDIAN MOTORCYCLE dealer.

### ***OUTSIDE THE COUNTRY WHERE YOUR MOTORCYCLE WAS PURCHASED:***

If you are traveling temporarily outside the country where your motorcycle was purchased, you should take your motorcycle to an authorized INDIAN MOTORCYCLE dealer. You must show the dealer photo identification from the country of the selling dealer's authorized location as proof of residence. Upon residence verification, the servicing dealer will be authorized to perform the warranty repair.

### ***IF YOU MOVE:***

If you move to another country, be sure to contact INDIAN MOTORCYCLE Customer Assistance and the customs department of the destination country before you move. Vehicle importation rules vary considerably from country to country. You may be required to present documentation of your move to INDIAN MOTORCYCLE in order to continue your warranty coverage. You may also be required to obtain documentation from INDIAN MOTORCYCLE in order to register your motorcycle in your new country. You should warranty register your motorcycle at a local INDIAN MOTORCYCLE dealer in your new country immediately after you move to continue your warranty coverage and to ensure that you receive information and notices regarding your motorcycle.

### ***IF YOU PURCHASE FROM A PRIVATE PARTY:***

If you purchase an INDIAN MOTORCYCLE from a private party, to be kept and used outside of the country in which the motorcycle was originally purchased, all warranty coverage will be denied. You must nonetheless register your motorcycle under your name and address with a local INDIAN MOTORCYCLE dealer in your country to ensure that you receive safety information and notices regarding your motorcycle.

## EXPORTED VEHICLES

EXCEPT WHERE SPECIFICALLY REQUIRED BY LAW, THERE IS NO WARRANTY OR SERVICE BULLETIN COVERAGE ON THIS VEHICLE IF IT IS SOLD OUTSIDE THE COUNTRY OF THE SELLING DEALER'S AUTHORIZED LOCATION. This policy does not apply to vehicles that have received authorization for export from INDIAN MOTORCYCLE. Dealers may not give authorization for export. You should consult an authorized dealer to determine this vehicle's warranty or service coverage if you have any questions. This policy does not apply to vehicles registered to government officials or military personnel on assignment outside the country of the selling dealer's authorized location. This policy does not apply to Safety Bulletins.

## NOTICE

If your vehicle is registered outside of the country where it was purchased and you have not followed the procedure set above, your vehicle will no longer be eligible for warranty or service bulletin coverage of any kind, other than safety bulletins. Vehicles registered to Government officials or military personnel on assignment outside of the country where the vehicle was purchased will continue to be covered by the Limited Warranty.

Please work with your dealer to resolve any warranty issues. Should your dealer require any additional assistance, they will contact the appropriate person at INDIAN MOTORCYCLE.

This warranty gives you specific legal rights, and you may also have other rights which vary from state to state or in different countries. If any of the above terms are void because of federal, state, local law, all other warranty terms will remain in effect.

***For questions call INDIAN MOTORCYCLE Customer Assistance:***

United States & Canada: 1-877-204-3697

French: 1-800-268-6334

## WARRANTY

---

### MOTORCYCLE NOISE REGULATION

Tampering with noise control systems is prohibited. Federal law prohibits the following acts or causing thereof:

- The removal or rendering inoperative by any person other than for the purposes of maintenance, repair, or replacement, of any device or element of design incorporated into any new vehicle for the purpose of noise control prior to its sale or delivery to the ultimate purchaser or while it is in use, or
- The use of the vehicle after such device or element of design has been removed or rendered inoperative by any person.

Among those acts presumed to constitute tampering are:

- Removal or puncturing of the muffler, baffles, header pipes, or any other component which conducts exhaust gasses.
- Removal or puncturing of any part of the intake system.
- Lack of proper maintenance.
- Replacing any moving part of the vehicle, or parts of the exhaust system or intake system, with parts other than those specified by the manufacturer.

This product should be checked for repair or replacement if the motorcycle noise has increased significantly through use. Otherwise, the owner may become subject to penalties under state and local ordinances.

### NOISE EMISSION WARRANTY

INDIAN MOTORCYCLE warrants that this exhaust system, at the time of sale, meets all applicable U.S. EPA Federal noise standards. This warranty extends to the first person who buys this exhaust system for purposes other than resale, and to all subsequent buyers.

Warranty claims should be directed to:

- *An authorized INDIAN MOTORCYCLE dealer, or*
- *INDIAN MOTORCYCLE, 2100 Highway 55, Medina, MN 55340*

---

## **EMISSIONS CONTROL SYSTEM WARRANTY**

### **INDIAN MOTORCYCLE COMPANY - EMISSION CONTROL SYSTEM WARRANTY STATEMENT**

#### ***YOUR WARRANTY RIGHTS AND OBLIGATIONS***

The California Air Resources Board and INDIAN MOTORCYCLE are pleased to explain the emission control system warranty on your 2015 or later INDIAN MOTORCYCLE. In California, new motor vehicles must be designed, built and equipped to meet the state's stringent anti-smog standards. INDIAN MOTORCYCLE must warrant the emission control system on your motorcycle for the periods of time listed below provided there has been no abuse, neglect or improper maintenance of your motorcycle. Your emission control system may include parts such as the fuel-injection system, the ignition system, catalytic converter and engine computer. Also included may be hoses, belts, connectors and other emission related assemblies. Where a warrantable condition exists, INDIAN MOTORCYCLE will repair your motorcycle at no cost to you, including diagnosis, parts and labor.

#### ***MANUFACTURER'S WARRANTY COVERAGE***

Class III motorcycles (280cc and larger): for a period of use of five (5) years or 30,000 kilometers (18,641 miles), whichever first occurs.

If an emission-related part on your motorcycle is defective, the part will be repaired or replaced by INDIAN MOTORCYCLE. This is your emission control system DEFECTS WARRANTY.

#### ***MANUFACTURER'S WARRANTY COVERAGE (KOREA)***

Class III motorcycles (280cc and larger): for a period of use of two (2) years or 35,000 kilometers (21,747 miles), whichever first occurs.

If an emission-related part on your motorcycle is defective, the part will be repaired or replaced by INDIAN MOTORCYCLE. This is your emission control system DEFECTS WARRANTY.

## WARRANTY

---

### **OWNER'S WARRANTY RESPONSIBILITIES**

As the motorcycle owner, you are responsible for the performance of the required maintenance listed in your Rider's manual. INDIAN MOTORCYCLE recommends that you retain all receipts covering maintenance on your motorcycle, but INDIAN MOTORCYCLE cannot deny warranty solely for the lack of receipts or for your failure to ensure the performance of all scheduled maintenance. You are responsible for presenting your motorcycle to an INDIAN MOTORCYCLE dealer as soon as a problem exists. The warranty repairs should be completed in a reasonable amount of time, not to exceed 30 days. As the motorcycle owner, you should be aware that INDIAN MOTORCYCLE may deny your warranty coverage if your motorcycle or part has failed due to abuse, neglect, improper maintenance or unapproved modifications.

If you have any questions regarding your warranty rights and responsibilities, you should contact INDIAN MOTORCYCLE, 2100 Highway 55, Medina, MN 55340, or the California Air Resources Board, P.O. Box 8001, 9528 Telstar Avenue, El Monte, CA 91734-8001.

INDIAN MOTORCYCLE warrants that each new 2015 and later INDIAN MOTORCYCLE that includes as standard equipment a headlight, taillight and stoplight, and is street legal:

- A. is designed, built and equipped so as to conform at the time of initial retail purchases with all applicable regulations of the United States Environmental Protection Agency, and the California Air Resources Board; and
- B. is free from defects in material and workmanship which cause such motorcycle to fail to conform with applicable regulations of the United States Environmental Protection Agency or the California Air Resources Board for a period of use, depending on the engine displacement, of 12,000 kilometers (7,456 miles), if the motorcycle's engine displacement is less than 170 cubic centimeters; of 18,000 kilometers (11,185 miles), if the motorcycle's engine displacement is equal or greater than 170 cubic centimeters but less than 280 cubic centimeters; or of 30,000 kilometers (18,641 miles), if the motorcycle's engine displacement is 280 cubic centimeters or greater; or 5 (five) years from the date of initial retail delivery, whichever occurs first.

### **I. COVERAGE**

Warranty defects shall be remedied during customary business hours at any authorized INDIAN MOTORCYCLE dealer located within the United States of America in compliance with the Clean Air Act and applicable regulations of the United States Environmental Protection Agency and the California Air Resources Board. Any part or parts replaced under this warranty shall become the property of INDIAN MOTORCYCLE.



In the State of California only, emission-related warranted parts are specifically defined by the state's Emission Warranty Parts List. These warranted parts are: carburetor and internal parts; intake manifold; fuel tank; fuel injection system; spark advance mechanism; crankcase breather; air cutoff valves; fuel tank cap for evaporative emission controlled vehicles; oil filler cap; pressure control valve; fuel/vapor separator; canister; igniters; breaker governors; ignition coils; ignition wires; ignition points; condensers, and spark plugs if failure occurs prior to the first scheduled replacement; and hoses, clamps, fittings and tubing used directly in these parts. Since emission related parts may vary from model to model, certain models may not contain all of these parts and certain models may contain functionally equivalent parts. In the State of California only, Emission Control System emergency repairs, as provided for in the California Administrative Code, may be performed by other than an authorized INDIAN MOTORCYCLE dealer. An emergency situation occurs when an authorized INDIAN MOTORCYCLE dealer is not reasonably available, a part is not available within 30 days or a repair is not complete within 30 days. Any replacement part can be used in an emergency repair. INDIAN MOTORCYCLE will reimburse the owner for expenses, including diagnosis, not to exceed INDIAN MOTORCYCLE's suggested retail price for all warranted parts replaced and labor charges based on INDIAN MOTORCYCLE'S recommended time allowance for the warranty repair and the geographically appropriate hourly labor rate. The owner may be required to keep receipts and failed parts in order to receive compensation.

## WARRANTY

---

### **II. LIMITATIONS**

The Emission Control System Warranty shall not cover any of the following:

A. Repair or replacement required as a result of:

- Accident
- Misuse
- Repairs improperly performed or replacements improperly installed
- Use of replacement parts or accessories not conforming to INDIAN MOTORCYCLE specifications which adversely affect performance and/or
- Use in competitive racing or related events.

B. Inspections, replacement of parts, and other services and adjustments necessary for required maintenance.

C. Any motorcycle on which the odometer mileage has been changed so that actual mileage cannot be readily determined.

### **III. LIMITED LIABILITY**

- A. The liability of INDIAN MOTORCYCLE under this Emission Control System Warranty is limited solely to the remedying of defects in material or workmanship by an authorized INDIAN MOTORCYCLE dealer at its place of business during customary business hours. This warranty does not cover inconvenience or loss of use of the motorcycle or transportation of the motorcycle to or from the INDIAN MOTORCYCLE dealer. INDIAN MOTORCYCLE SHALL NOT BE LIABLE FOR ANY OTHER EXPENSES, LOSS OR DAMAGE, WHETHER DIRECT, INCIDENTAL, CONSEQUENTIAL OR EXEMPLARY ARISING IN CONNECTION WITH THE SALE OR USE OF OR INABILITY TO USE THE INDIAN MOTORCYCLE FOR ANY PURPOSE. SOME STATES DO NOT ALLOW THE EXCLUSION OR LIMITATION OF ANY INCIDENTAL OR CONSEQUENTIAL DAMAGES, SO THE ABOVE LIMITATIONS MAY NOT APPLY TO YOU.
- B. NO EXPRESS EMISSION CONTROL SYSTEM WARRANTY IS GIVEN BY INDIAN MOTORCYCLE EXCEPT AS SPECIFICALLY SET FORTH HEREIN. ANY EMISSION CONTROL SYSTEM WARRANTY IMPLIED BY LAW, INCLUDING ANY WARRANTY OF MERCHANTABILITY OR FITNESS FOR A PARTICULAR PURPOSE, IS LIMITED TO THE EXPRESS EMISSION CONTROL SYSTEM WARRANTY TERMS STATED IN THIS WARRANTY. THE FOREGOING STATEMENTS OF WARRANTY ARE EXCLUSIVE AND IN LIEU OF ALL OTHER REMEDIES. SOME STATES DO NOT ALLOW LIMITATIONS ON HOW LONG AN IMPLIED WARRANTY LASTS SO THE ABOVE LIMITATIONS MAY NOT APPLY TO YOU.
- C. No dealer is authorized to modify this INDIAN MOTORCYCLE Limited Emission Control System Warranty.

### **IV. LEGAL RIGHTS**

THIS WARRANTY GIVES YOU SPECIFIC LEGAL RIGHTS, AND YOU MAY ALSO HAVE OTHER RIGHTS WHICH VARY FROM STATE TO STATE.

## WARRANTY

---

### ***V. THIS WARRANTY IS IN ADDITION TO THE INDIAN MOTORCYCLE LIMITED MOTORCYCLE WARRANTY***

### ***VI. ADDITIONAL INFORMATION***

Any replacement part that is equivalent in performance and durability may be used in the performance of any maintenance or repairs. However, INDIAN MOTORCYCLE is not liable for these parts. The owner is responsible for the performance of all required maintenance. Such maintenance may be performed at a service establishment or by any individual. The warranty period begins on the date the motorcycle is delivered to an ultimate purchaser.

INDIAN MOTORCYCLE

2100 Highway 55

Medina, MN 55340

ATTN: Warranty Department

---

## **HOW THE CALIFORNIA EMISSIONS WARRANTY ON EMISSIONS -RELATED PARTS MUST FUNCTION AS PRESCRIBED IN 13 CCR § 2036**

1. Any warranted part which is not scheduled for replacement as required maintenance in the Owner's Manual must be warranted for the warranty period. If any such part fails during the warranty period, it must be repaired or replaced by INDIAN MOTORCYCLE according to subsection (4) below. Any such part repaired or replaced under warranty must be warranted for the remaining warranty period.
2. Any warranted part which is scheduled only for regular inspection in the Owner's Manual must be warranted for the warranty period. A statement in such written instructions to the effect of "repair or replace as necessary" shall not reduce the period of warranty coverage. Any such part repaired or replaced under warranty shall be warranted for the remaining warranty period.
3. Any warranted part which is scheduled for replacement as required maintenance in the Owner's Manual must be warranted for the period of time or mileage, whichever first occurs, prior to the first scheduled replacement point for that part. If the part fails before the first scheduled replacement point, the part shall be repaired or replaced by INDIAN MOTORCYCLE according to subsection (4) below. Any such part repaired or replaced under warranty shall be warranted for the remainder of the period prior to the first scheduled replacement point for the part.
4. Repair or replacement of any warranted part under the warranty provisions of this article must be performed at no charge to the motorcycle owner, at a warranty station, except in the case of an emergency when a warranted part or a warranty station is not reasonably available to the motorcycle owner. In an emergency, repairs may be performed at any available service establishment, or by the owner, using any replacement part. INDIAN MOTORCYCLE must reimburse the owner for his or her expenses including diagnostic charges for such emergency repair or replacement, not to exceed INDIAN MOTORCYCLE's suggested retail price for all warranted parts replaced and labor charges based on INDIAN MOTORCYCLE's recommended time allowance for the warranty repair and the geographically appropriate hourly labor rate. A motorcycle owner may reasonably be required to keep receipts and failed parts in order to receive compensation for warranted repairs reimbursable due to an emergency.
5. Notwithstanding the provisions of subsection (4) above, warranty services or repairs must be provided at all INDIAN MOTORCYCLE dealerships which are franchised to service the subject motorcycles.
6. The motorcycle owner must not be charged for diagnostic labor which leads to the determination that a warranted part is in fact defective, provided that such diagnostic work is performed at a warranty station.
7. INDIAN MOTORCYCLE is liable for damages to other vehicle components proximately caused by a failure, under warranty, of any warranted part.

## WARRANTY

---

8. Throughout the motorcycle's warranty period, INDIAN MOTORCYCLE must maintain a supply of warranted parts sufficient to meet the expected demand for such parts. The lack of availability of such parts or the incompleteness of repairs within a reasonable time period, not to exceed 30 days from the time the motorcycle is initially presented to the warranty station for repair, shall constitute an emergency for purposes of subsection (4).
9. Any replacement part may be used in the performance of any maintenance or repairs. Any replacement part designated by INDIAN MOTORCYCLE may be used in warranty repairs provided without charge to the motorcycle owner. Such use will not reduce the warranty obligations of INDIAN MOTORCYCLE, except that INDIAN MOTORCYCLE will not be liable under this article for repair or replacement of any replacement part which is not a warranted part (except as provided under subsection (7)).
10. Any add-on or modified part exempted by the Air Resources Board from the prohibitions of Vehicle Code section 27156 may be used on a motorcycle. Such use, in and of itself, will not be grounds for disallowing a warranty claim made in accordance with this article. INDIAN MOTORCYCLE is not liable under this article to warrant failures of warranted parts caused by the use of an add-on or modified part.

## EXCLUSION

1. The repair or replacement of any warranted part otherwise eligible for warranty coverage described above, shall be excluded for such warranty coverage if INDIAN MOTORCYCLE demonstrates that the motorcycle has been abused, neglected, or improperly maintained, and that such abuse, neglect, or improper maintenance was the direct cause of the need for the repair or replacement of the part.

**MAINTENANCE LOG**  
**MAINTENANCE LOG**

<b>MAINTENANCE PERFORMED</b>	<b>MILES/KM</b>	<b>NOTES</b>	<b>PERFORMED BY</b>





**A**

About the Rider's Manual ..... 13

ABS Sensor Inspection ..... 133

ABS Tone Ring Inspection ..... 133

Accelerating ..... 89

Accessories

    Use ..... 18

AGM Battery Charger

    Recommendations ..... 149

AGM Battery Charging

    Recommendations ..... 150

AGM Battery Maintenance Tips ..... 150

Air Filter ..... 112

Anti-Lock Brake System (ABS) ..... 63

Anti-Lock Brake System Response ..... 19

Audio Control Switch ..... 33

Auxiliary Light Switch ..... 34

Average Fuel Economy ..... 42

**B**

Battery ..... 145

Battery Care, Storage ..... 164

Battery Charge Port ..... 55

Battery Charging and Maintenance ..... 149

Battery Installation ..... 147

Battery Removal ..... 146

Belt

    Adjustment ..... 115

    Alignment ..... 115

Bluetooth® Pairing ..... 51

Brake Disc Inspection/Cleaning ..... 131

Brake Fluid ..... 174

Brake Fluid Precautions ..... 128

Brake Hoses/Connections ..... 127

Brake Light Replacement ..... 145

Brake Pads ..... 131

Brakes ..... 63

    Front Brake Lever ..... 64

    Rear Brake Pedal ..... 65

Braking ..... 89

Break-In Maintenance ..... 94

**C**

Capacities ..... 169

Carrying a Passenger ..... 16

Carrying Cargo ..... 16

Changing Your Security System PIN ..... 154

Chassis ..... 172

Clean and Protect the Motorcycle ..... 164

Cleaning Products ..... 159

Clock ..... 42

Clutch Lever ..... 56

Cold Weather Operation ..... 86

Console

    Bagger Models ..... 26

    Cruiser Models ..... 25

Control Panel ..... 47

Crankcase Breather Hoses ..... 124

Cruise Control ..... 90

Accelerate ..... 91

Cruise Control Tips ..... 91

Cruise Control, Cancel ..... 92

Decelerate ..... 92

Resume Speed ..... 91

Set Speed ..... 91

Cruise Control Switch ..... 31

Cylinder Deactivation ..... 54

**D**

DC Voltage ..... 42

Device Compliance Statements

    Canada Radio Compliance ..... 9

    European Union (EU) Radio

        Compliance ..... 10

        Japanese Radio Compliance ..... 11

        USA Radio Compliance ..... 9

Diagnostic Functionality ..... 44

Dimensions ..... 167

Display Units (Standard/Metric) ..... 43

Drive Belt

    Adjustment ..... 115

    Alignment ..... 115

Drive System ..... 171

**E**

Electrical ..... 173

Electrical Precautions ..... 153

# INDEX

---

Electromagnetic Interference.....	11
Elevating the Motorcycle.....	155
Engine .....	169
Engine Break-In.....	81
Engine Compression Test.....	155
Engine Error Codes.....	44
Engine Identification Number .....	8
Engine Oil Level .....	71
Engine Oil Recommendation .....	174
Engine Oil/Filter Change .....	110
Engine Protection.....	164
Engine Run Switch.....	30
Engine Speed.....	42
Engine Stop Switch.....	30
Evaporative Emission Control System.....	124
Exhaust System Inspection .....	155
Exposure to Dirt/Dust .....	162
Exposure to Moisture .....	161
Exposure to Sun.....	161

## F

Fastener Inspection .....	156
Fastener Torques .....	156
FOB Battery Disposal .....	151
Fork Oil .....	174
Frequently Asked Questions .....	162
Front Brake Fluid.....	130
Front Brake Lever.....	129
Front Brake Pad Inspection .....	132

Front Fork Inspection.....	123
Front Wheel Installation .....	134
Fuel and Exhaust Safety .....	19
Fuel Cap.....	66
Fuel Filter .....	111
Fuel Range.....	42
Fuel Recommendation .....	174
Fuel Stabilizer .....	164
Fuel System Components .....	125
Fueling.....	82
Fuse Replacement.....	151

## G

Gear Position .....	42
Gear Shift Lever.....	57
Gloss Clear Coat Finish Care .....	160
Gross Vehicle Weight Rating.....	21
GVWR.....	21

## H

Hand Grip Heater Switch.....	34
Handlebar Position.....	138
Headlight Aim Adjustment.....	145
Headlight Aim Inspection .....	144
Headlight Beam Switch .....	32
Headlight Lamp Replacement .....	145
Headlights .....	55
Heated Grips Setting .....	54

High-Current Fuses .....	152
--------------------------	-----

## I

Identification Number Records.....	7
Idle Timer Shutdown Notification .....	85
Indicator Lamps .....	39
Infotainment Care .....	161
Instrument Cluster .....	37, 41-44, 54
Speedometer .....	41
Instrument Cluster (Baggers and Touring Models).....	38

## K

Key fob.....	11
Key Fob Battery Life.....	150
Keyless Ignition .....	35

## L

Leather Care .....	161
Leather Care Dressing .....	162
Leather Care Dressing Application .....	162
Low Oil Pressure Display .....	44
LUBRICANTS AND FLUIDS .....	177

<b>M</b>	<b>P</b>	<b>R</b>
Maintenance During Storage.....164	Parking ..... 92	Rear Brake Fluid ..... 128
Maintenance Intervals..... 95	Parking on a Slope ..... 92	Rear Brake Pad Inspection ..... 132
Maintenance Log ..... 189	Parking on a Soft Surface ..... 92	Rear Brake Pedal..... 127
Maintenance, Major..... 94	Parking the Motorcycle ..... 18	Rear Drive Belt Cleaning ..... 113
Matte Clear Coat Finish Care ..... 160	Passenger Floorboard Supports ..... 66	Rear Drive Belt Condition..... 113
Mechanical Clutch Cable Lubrication..... 127	Periodic Maintenance ..... 94	Rear Drive Belt Wear Analysis ..... 114
Mechanical Clutch Lever Freeplay ..... 126	Severe Use Definition..... 94	Rear Shock Preload Inspection ..... 118
Mechanical Clutch Lever Lubrication ..... 126	Pre-Ride Inspections..... 69	Removal From Storage ..... 165
Media Switch..... 48	Brake Lines ..... 75	Replacement Parts ..... 93
Mirrors..... 63	Electrical Inspections ..... 69	Reporting Safety Defects ..... 11
Misfire Detection..... 55	Fasteners ..... 77	Reporting Safety Defects (Canada) ..... 11
Modifications ..... 18	Front Brake Fluid Level ..... 74	Ride Command..... 45
Motorcycle Noise Regulation ..... 180	Front Brake Lever, Inspection..... 74	Audio Screen..... 47
Multi-Function Display (MFD)..... 41	Front Suspension ..... 77	Buttons ..... 46
	Fuel Level ..... 78	Phone ..... 47
	General Inspections ..... 70	Settings ..... 50
	Mechanical Clutch ..... 76	Update Software..... 51
	Rear Brake Fluid Level ..... 75	Ride Command Display Over the Air Updates..... 52
	Rear Brake Pedal, Inspection..... 74	Ride Height Adjustment ..... 119
	Rear Drive Belt ..... 78	Ride Height Inspection..... 118
	Rear Suspension ..... 77	Ride Modes..... 43, 49
	Side-stand ..... 76	Rider Screens ..... 46
	Steering ..... 77	Road Test..... 155
	Throttle ..... 75	Road Tests ..... 94
	Tire Condition ..... 73	Rodents ..... 165
	Tire Pressure ..... 73	
	Tire Tread Depth..... 74	
	Tires ..... 73	
	Priming the Fuel System..... 83	
	Protective Apparel ..... 16	

**N****O**

# INDEX

---

## S

Saddlebag Lock Switch .....	36
Saddlebags .....	60
Hard Bag Removal .....	60
Saddlebags, Trunk and Other Storage ...	17
Safe Riding Practices .....	13
Follow These General Safe Riding Practices .....	14
Motorcycling Has Inherent Risks .....	13
Safety and Information Labels .....	22
Safety During Service Procedures .....	93
Safety Maintenance .....	20
Safety Symbols .....	4
Seat Installation .....	143
Powered Seats .....	143
Seat Removal .....	141
Powered Seats .....	142
Seat Switches .....	36
Security System .....	153-154
Select Switch .....	48
Service Information .....	8
Service Intervals	
Maintenance .....	95
Shifting Gears .....	86
Recommended Shift Points .....	88
Shifting Gears While Driving .....	87
Shifting Gears While Stationary .....	87
Shock Air Pressure Adjustment .....	119
Side Covers .....	141
Sidestand .....	61
Sidestand Lubrication .....	125

Signal Words .....	4
Spark Plugs .....	140
Specifications .....	167-169, 171-174
Standard Fuses .....	151
Starting the Engine .....	83
Steering Head Inspection .....	123
Stopping the Engine .....	90
Storage Area Preparation .....	163
Storage, Park and Cover .....	165
Suspension Inspection .....	123
Swing Arm/Rear Axle Inspection .....	122
Switch Locations	
Left Control .....	27
Right Control .....	27
Switches .....	27-28, 30-34, 36
Hazard Switch .....	32
Horn Switch .....	32
Power Switch .....	30
Switch Symbols .....	28
Turn Signal .....	33
Windshield Switch .....	31

## T

Tachometer .....	41
Taillight Replacement .....	145
Temperature .....	42
Throttle Control Grip .....	56
Throttle Control Inspection .....	125
Tire Condition .....	135
Tire Inflation .....	164

Tire Pressure .....	136
Tire Pressure Chart .....	136
Tire Pressure Monitoring System .....	57
Tire Replacement .....	135
Tire Tread Depth .....	135
Tires .....	73, 134
Title Page .....	1
Toggle Switches .....	28
Trademarks .....	2
Transporting the Motorcycle .....	20
Trigger Switches .....	49
Trip Odometers .....	42
Troubleshooting .....	156-158
Trunk .....	58
Trunk Lock Switch .....	36
Trunk, Removal .....	58

## U

Update Maps .....	53
USB Port .....	53

## W

Warning Symbols .....	4
Warranty .....	175
Warranty Information .....	8
Washing the Motorcycle .....	159
Weight .....	168
Wheel Alignment .....	133

Wheel Inspection..... 133  
Wheel Spokes ..... 133  
Wheels And Tires..... 172  
Windshield Care..... 63, 160  
Windshield Removal..... 62



To locate your nearest dealer,  
visit [www.indianmotorcycle.com](http://www.indianmotorcycle.com)

**INDIAN MOTORCYCLE**

2100 Highway 55

Medina, MN 55340

Phone: 1-877-204-3697

French: 1-800-268-6334



**Part No. 9941332 Rev 02**

**Printed in U.S.A.**

